

High Temp. & Low Impedance Chip Electrolytic Capacitor

Features

- Lifetime: 1000 hours at 105°C
- Low profile vertical chip
- Low impedance
- RoHS compliant and halogen free



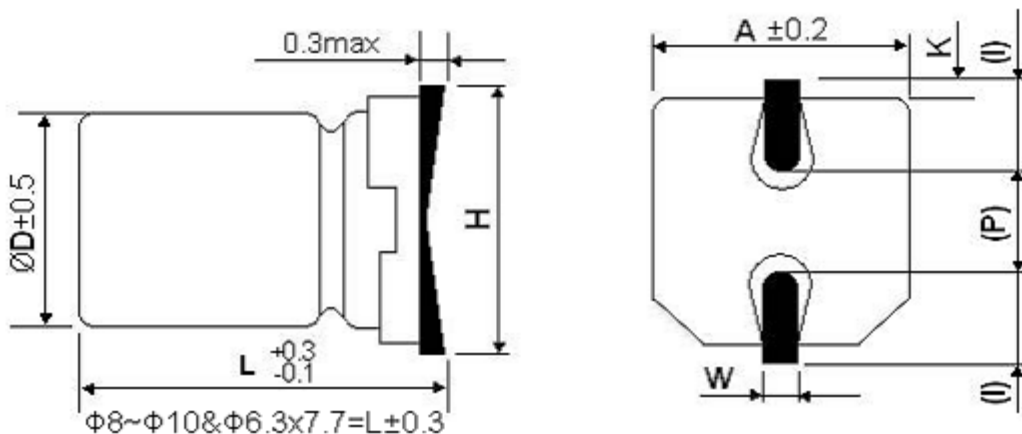
Applications

- AV(TV, Video, Audio)
- Monitor/Computer
- Battery Charger
- DC/DC Converter
- SMPS
- Noise Filter



**HALOGEN
FREE**

Dimensions



(): Reference size

High Temp. & Low Impedance Chip Electrolytic Capacitor

TVZ Series

Unit: mm

Case Code	ΦDxL	A	H (Max.)	I	W	P±0.2	K
B	4.0x5.4	4.3	5.5	1.8	0.65±0.1	1.0	0.35+0.15/-0.20
C	5.0x5.4	5.3	6.5	2.2	0.65±0.1	1.5	0.35+0.15/-0.20
D	6.3x5.4	6.6	7.8	2.6	0.65±0.1	1.8	0.35+0.15/-0.20
E	6.3x7.7	6.6	7.8	2.6	0.65±0.1	1.8	0.35+0.15/-0.20
F	8.0x6.2	8.3	9.5	3.4	0.65±0.1	2.2	0.35+0.15/-0.20
G	8.0x10.2	8.3	10.0	3.4	0.90±0.2	3.1	0.70±0.20
H	10.0x10.2	10.3	12.0	3.5	0.90±0.2	4.6	0.70±0.20

Specification

Description		Value							Conditions
Operating Temperature Range		-40 ~ +105 °C							
Rated Capacitance Range		0.1 ~ 1000 μF							
Capacitance Tolerance		M: ±20%							at 120Hz, 20 °C
Max. Leakage Current at 20°C		≤0.01 CV or 3 μA, whichever is greater							After applying rated voltage for 2 minutes
Working Voltage Range (WV)		4	6.3	10	16	25	35	50	
Surge Voltage (V)		5	8	13	20	32	44	63	
Max. Low Temperature Stability Impedance Ratio		4	2	2	2	2	2	2	Z(-25°C)/ Z(+20°C), 120Hz
		8	4	4	3	3	3	3	Z(-40°C)/ Z(+20°C), 120Hz
Max. Dissipation Factor (tan δ)		0.35	0.26	0.22	0.16	0.14	0.12	0.12	Case size ≤ E, 120Hz, 20 °C
		0.35	0.35	0.26	0.20	0.16	0.14	0.12	Case size > E, 120Hz, 20 °C
Endurance	Capacitance Change	Within ±20% of the initial value							After applying rated voltage and ripple current for 1000 hours at 105°C
	Dissipation Factor	Not more than 200% of the specified value							
	Leakage Current	Not more than the specified value							
Shelf Life		Shall meet the same requirement as Endurance							After placing at 105°C without applying voltage for 1000 hours

High Temp. & Low Impedance Chip Electrolytic Capacitor

TVZ Series

Multiplier for Ripple Current

Frequency Coefficient

Frequency (Hz)	120	1K	10K	100K
Coefficient	0.70	0.80	0.90	1.00

Case Size (mm) / Max. Ripple Current (mA/rms) / Max. Impedance Z(Ω)

Cap. (uF)	Rated (Surge) Voltage											
	4(5) V			6.3(8) V			10(13) V			16(20) V		
	Φ DxL	RC	Z	Φ DxL	RC	Z	Φ DxL	RC	Z	Φ DxL	RC	Z
10	4x5.4	60	4.0				4x5.4	60	4.0	4x5.4	60	4.0
22	4x5.4	60	4.0	4x5.4	60	4.0	5x5.4	95	2.6	5x5.4	95	2.6
33	4x5.4	60	4.0	5x5.4	95	2.6	5x5.4	95	2.6	5x5.4	95	2.6
47	4x5.4	60	4.0	5x5.4	95	2.6	6.3x5.4	95	1.3	6.3x5.4	140	1.3
68	4x5.4	60	4.0	6.3x5.4	140	1.3	6.3x5.4	140	1.3	8x6.2	230	0.8
100	5x5.4	95	3.0	6.3x5.4	140	1.3	6.3x5.4	140	1.3	8x6.2	230	0.8
150	6.3x5.4	140	2.6	8x6.2	230	0.8	8x6.2	230	0.8	10x10.2	450	0.5
220	6.3x5.4	140	2.6	8x6.2	230	0.8	8x6.2	230	0.8	10x10.2	450	0.5
330				8x10.2	450	0.5	8x10.2	450	0.5	10x10.2	670	0.3
470				10x10.2	670	0.3	10x10.2	670	0.3	10x10.2	670	0.3
1000				10x10.2	670	0.3	10x10.2	670	0.3			
1500				10x10.2	670	0.3						

Cap. (uF)	Rated (Surge) Voltage								
	25(32) V			35(44) V			50(63) V		
	Φ DxL	RC	Z	Φ DxL	RC	Z	Φ DxL	RC	Z
1				4x5.4	60	4.0	4x5.4	60	5.0
2.2				4x5.4	60	4.0	4x5.4	60	5.0
3.3				4x5.4	60	4.0	4x5.4	60	5.0
4.7	4x5.4	60	4.0	4x5.4	60	4.0	5x5.4	95	4.0
6.8	4x5.4	60	4.0	5x5.4	95	2.6	6.3x5.4	140	2.6
10	5x5.4	95	2.6	5x5.4	95	2.6	6.3x5.4	140	2.6
22	6.3x5.4	140	1.3	6.3x5.4	140	1.3	8x6.2	230	1.3
33	6.3x5.4	140	1.3	8x6.2	230	0.8	8x10.2	300	1.1
47	6.3x5.4	140	1.3	8x6.2	230	0.8	6.3x7.7	140	2.6
							10x10.2	670	0.8

High Temp. & Low Impedance Chip Electrolytic Capacitor

TVZ Series

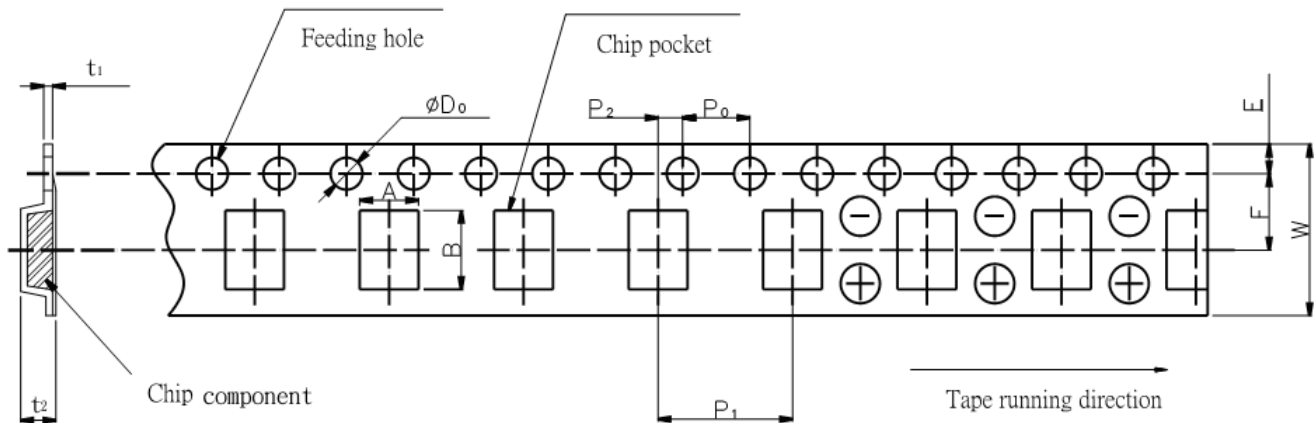
Cap. (uF)	Rated (Surge) Voltage								
	6.3(8) V			10(13) V			16(20) V		
	ΦDxL	RC	Z	ΦDxL	RC	Z	ΦDxL	RC	Z
68	8x10.2	450	0.5	8x10.2	450	0.5	10x10.2	670	0.8
100	8x10.2	450	0.5	10x10.2	670	0.3	10x10.2	670	0.8
150	10x10.2	670	0.3	10x10.2	670	0.3			
220	10x10.2	670	0.3	10x10.2	670	0.3			

Note: 1. Ripple current: 100KHz, 105°C;

2. Impedance: 100KHz, 20°C.

Packing Information:

Carrier Tape Dimensions



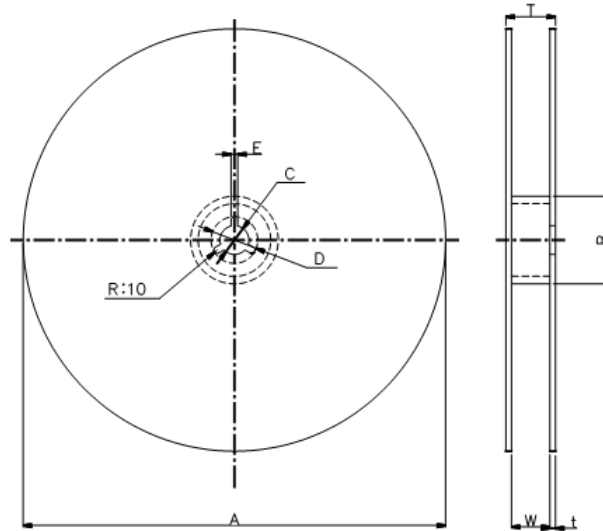
Unit: mm

Case Size	W	A	B	F	P0±0.1	P1	P2±0.1	ΦD0	E	t1	t2	
B	4.0x5.4	12.0	4.7	4.7	5.5	4.0	8.0	2.0	1.5+0.1-0	1.75	0.4	5.8
C	5.0x5.4	12.0	5.7	5.7	5.5	4.0	12.0	2.0	1.5+0.1-0	1.75	0.4	5.8
D	6.3x5.4	16.0	7.0	7.0	7.5	4.0	12.0	2.0	1.5+0.1-0	1.75	0.4	5.8
E	6.3x7.7	16.0	7.0	7.0	7.5	4.0	12.0	2.0	1.5+0.1-0	1.75	0.4	8.3
F	8.0x6.2	16.0	8.7	8.7	7.5	4.0	12.0	2.0	1.5+0.1-0	1.75	0.4	6.8
G	8.0x10.2	24.0	8.7	8.7	11.5	4.0	16.0	2.0	1.5+0.1-0	1.75	0.4	11.0
H	10.0x10.2	24.0	10.7	10.7	11.5	4.0	16.0	2.0	1.5+0.1-0	1.75	0.4	11.0

High Temp. & Low Impedance Chip Electrolytic Capacitor

TVZ Series

Reel Dimensions



Unit: mm

Case Size	A	B	C	D	E	W	T	t
B 4.0x5.4	380±2	50min	13.0±0.5	21.0±0.8	2.0±0.5	14±1	20±1	3.0
C 5.0x5.4	380±2	50min	13.0±0.5	21.0±0.8	2.0±0.5	14±1	20±1	3.0
D 6.3x5.4	380±2	50min	13.0±0.5	21.0±0.8	2.0±0.5	18±1	24±1	3.0
E 6.3x7.7	380±2	50min	13.0±0.5	21.0±0.8	2.0±0.5	18±1	24±1	3.0
F 8.0x6.2	380±2	50min	13.0±0.5	21.0±0.8	2.0±0.5	18±1	24±1	3.0
G 8.0x10.2	380±2	50min	13.0±0.5	21.0±0.8	2.0±0.5	26±1	32±1	3.0
H 10.0x10.2	380±2	50min	13.0±0.5	21.0±0.8	2.0±0.5	26±1	32±1	3.0

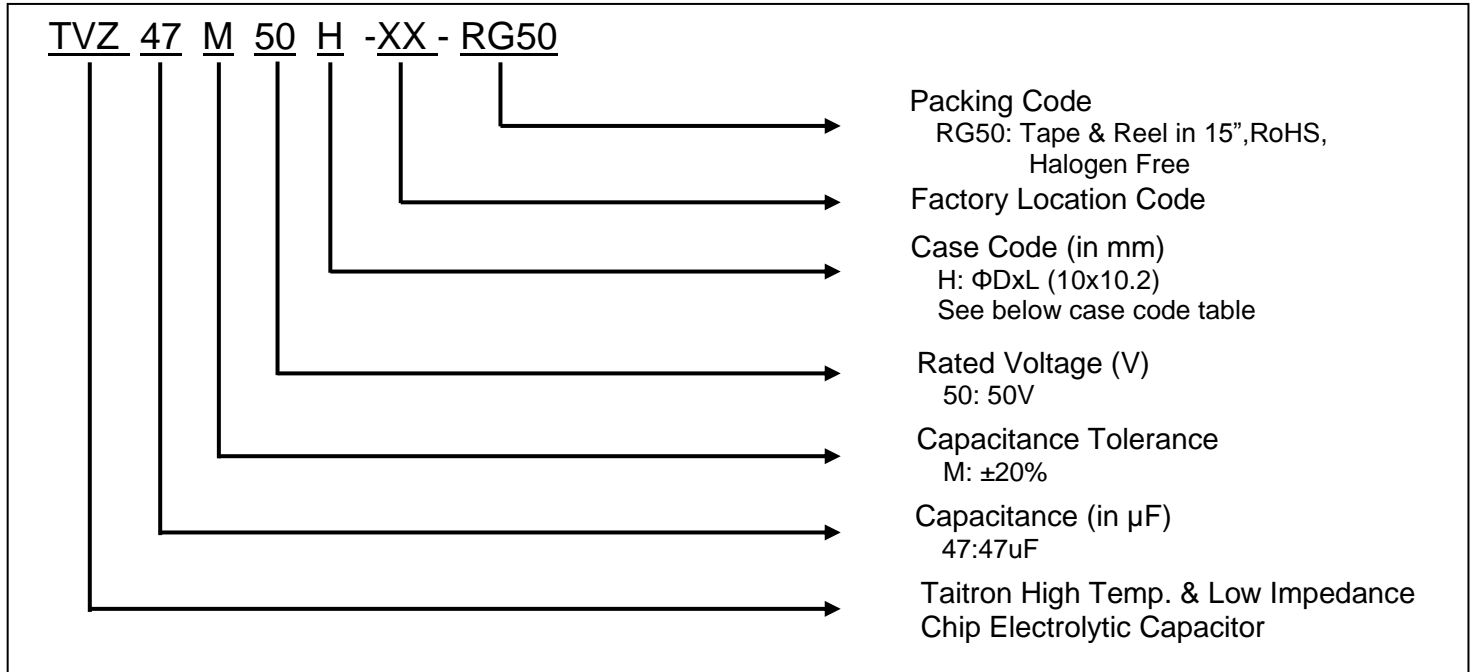
Carton Information

Case Size(mm)	Q'ty per reel (pcs)	Q'ty per inner box (pcs)	Q'ty per outer carton (pcs)
B 4.0x5.4	2000	20,000	40,000
C 5.0x5.4	1000	10,000	20,000
D 6.3x5.4	1000	10,000	20,000
E 6.3x7.7	1000	10,000	20,000
F 8.0x6.2	1000	10,000	20,000
G 8.0x10.2	500	4,000	8,000
H 10.0x10.2	500	4,000	8,000

High Temp. & Low Impedance Chip Electrolytic Capacitor

TVZ Series

How to Order



Case Code Table:

Size Code	B	C	D	E	F	G	H
ΦDxL (mm)	4x5.4	5x5.4	6.3x5.4	6.3x7.7	8x6.2	8x10.2	10x10.2

High Temp. & Low Impedance Chip Electrolytic Capacitor

TVZ Series

How to contact us

USA HEADQUARTERS

28040 WEST HARRISON PARKWAY, VALENCIA, CA 91355-4162

Tel: (800)-TAITRON (800)-824-8766 (661)-257-6060

Fax: (800)-TAITFAX (800)-824-8329 (661)-257-6415

Email: taitron@taitroncomponents.com

Http://www.taitroncomponents.com

TAITRON COMPONENTS INCORPORATED TAIWAN BRANCH

6F., NO.190, SEC. 2, ZHONGXING RD., XINDIAN DIST., NEW TAIPEI CITY 23146, TAIWAN R.O.C.

Tel: 886-2-2913-6238

Fax: 886-2-2913-6239

TAITRON COMPONENT TECHNOLOG SHANGHAI CORPORATION

SUITE 1503, METROBANK PLAZA, 1160 WEST YAN'AN ROAD, SHANGHAI, 200052, CHINA

Tel: +86-21-5424-9942

Fax: +86-21-2302-5027