

Ultra Low Impedance Chip Electrolytic Capacitor

Features

- Lifetime: 2000 hours at 105°C
- Low profile vertical chip
- Ultra low impedance
- RoHS compliant and halogen free



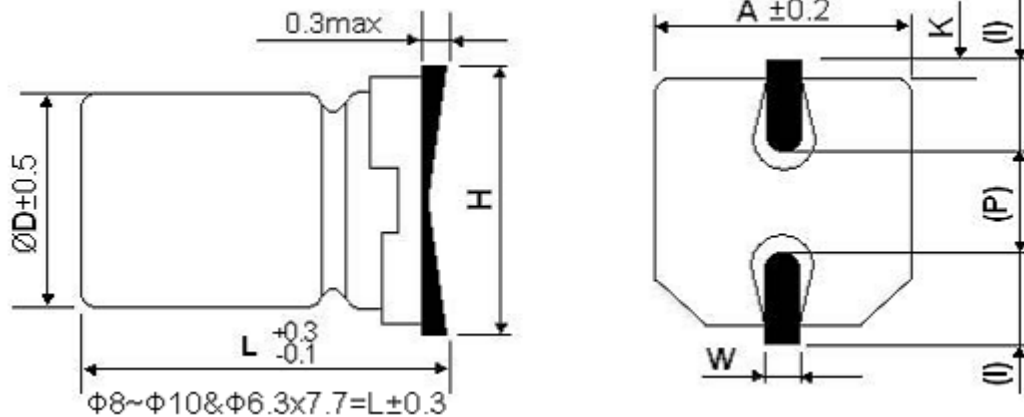
Applications

- AV(TV, Video, Audio)
- Monitor/Computer
- OA/HA/Communication
- SMPS



**HALOGEN
FREE**

Dimensions



(): Reference size

Ultra Low Impedance Chip Electrolytic Capacitor

TVY Series

Unit: mm

Case Code	ΦDxL	A	H (Max.)	I	W	P±0.2	K
B	4.0x5.4	4.3	5.5	1.8	0.65±0.1	1.0	0.35+0.15/-0.20
C	5.0x5.4	5.3	6.5	2.2	0.65±0.1	1.5	0.35+0.15/-0.20
D	6.3x5.4	6.6	7.8	2.6	0.65±0.1	1.8	0.35+0.15/-0.20
E	6.3x7.7	6.6	7.8	2.6	0.65±0.1	1.8	0.35+0.15/-0.20
F	8.0x6.2	8.3	9.5	3.4	0.65±0.1	2.2	0.35+0.15/-0.20
G	8.0x10.2	8.3	10.0	3.4	0.90±0.2	3.1	0.70±0.20
H	10.0x10.2	10.3	12.0	3.5	0.90±0.2	4.6	0.70±0.20

Specification

Description		Value					Conditions
Operating Temperature Range		-40 ~ +105 °C					
Rated Capacitance Range		4.7 ~ 1500 μF					
Capacitance Tolerance		M: ±20%					at 120Hz, 20 °C
Max. Leakage Current at 20°C		≤0.01 CV or 3 μA, whichever is greater					After applying rated voltage for 2 minutes
Working Voltage Range (WV)		6.3	10	16	25	35	
Surge Voltage (V)		8	13	20	32	44	
Max. Low Temperature Stability Impedance Ratio		2	2	2	2	2	Z(-25°C)/ Z(+20°C), 120Hz
		3	3	3	3	3	Z(-40°C)/ Z(+20°C), 120Hz
Max. Dissipation Factor (tan δ)		0.26	0.19	0.16	0.14	0.12	120Hz, 20 °C
Endurance	Capacitance Change	Within±30% of the initial value					After applying rated voltage and ripple current for 2000 hours at 105°C
	Dissipation Factor	Not more than 200% of the specified value					
	Leakage Current	Not more than the specified value					
Shelf Life		Shall meet the same requirement as Endurance					After placing at 105°C without applying voltage for 1000 hours

Ultra Low Impedance Chip Electrolytic Capacitor

TVY Series

Multiplier for Ripple Current

Frequency Coefficient

Frequency (Hz)	120	1K	10K	100K
Coefficient	0.70	0.80	0.90	1.00

Case Size(mm) / Max. Ripple Current (mA/rms) / Max. Impedance Z(Ω)

C(μ F)	Rated (Surge) Voltage											
	6.3(8)				10(13)				16(20)			
	Φ DxL	$\tan \delta^*$	RC**	Z***	Φ DxL	$\tan \delta^*$	RC**	Z***	Φ DxL	$\tan \delta^*$	RC**	Z***
22	4x5.4	0.26	90	1.93	4x5.4	0.19	90	1.93	4x5.4	0.16	90	1.93
									5x5.4	0.16	160	1.00
33	4x5.4	0.26	90	1.93	4x5.4	0.19	90	1.93	5x5.4	0.16	160	1.00
					5x5.4	0.19	160	1.00				
47	4x5.4	0.26	90	1.93	6.3x5.4	0.19	190	0.52	5x5.4	0.16	160	1.00
	5x5.4	0.26	160	1.00					6.3x5.4	0.16	240	0.52
100	5x5.4	0.26	160	1.00	6.3x5.4	0.19	190	0.52	6.3x5.4	0.16	240	0.52
	6.3x5.4	0.26	240	0.52								
150	6.3x7.7	0.26	240	0.30	6.3x7.7	0.19	240	0.34	6.3x7.7	0.16	280	0.34
220	6.3x7.7	0.26	240	0.30	6.3x7.7	0.19	280	0.34	6.3x7.7	0.16	280	0.34
									8x10.2	0.16	370	0.22
330	6.3x7.7	0.26	280	0.34	8x10.2	0.19	600	0.16	8x10.2	0.16	600	0.16
	8x6.2	0.26	300	0.26								
470	8x10.2	0.26	600	0.16	8x10.2	0.19	600	0.16	8x10.2	0.16	600	0.16
680	8x10.2	0.26	600	0.16	10x10.2	0.19	600	0.12	10x10.2	0.16	850	0.08
1000	8x10.2	0.26	600	0.16	10x10.2	0.19	850	0.08				
1500	10x10.2	0.26	850	0.08								

C(μ F)	Rated (Surge) Voltage							
	25(32)				35(44)			
	Φ DxL	$\tan \delta^*$	RC**	Z***	Φ DxL	$\tan \delta^*$	RC**	Z***
4.7					4x5.4	0.12	90	1.93
10	4x5.4	0.14	90	1.93	4x5.4	0.12	90	1.93
					5x5.4	0.12	160	1.00
22	5x5.4	0.14	160	1.00	5x5.4	0.12	160	1.00
27					6.3x5.4	0.12	240	0.52
33	5x5.4	0.14	160	1.00	6.3x5.4	0.12	240	0.52
	6.3x5.4	0.14	240	0.52				

Ultra Low Impedance Chip Electrolytic Capacitor

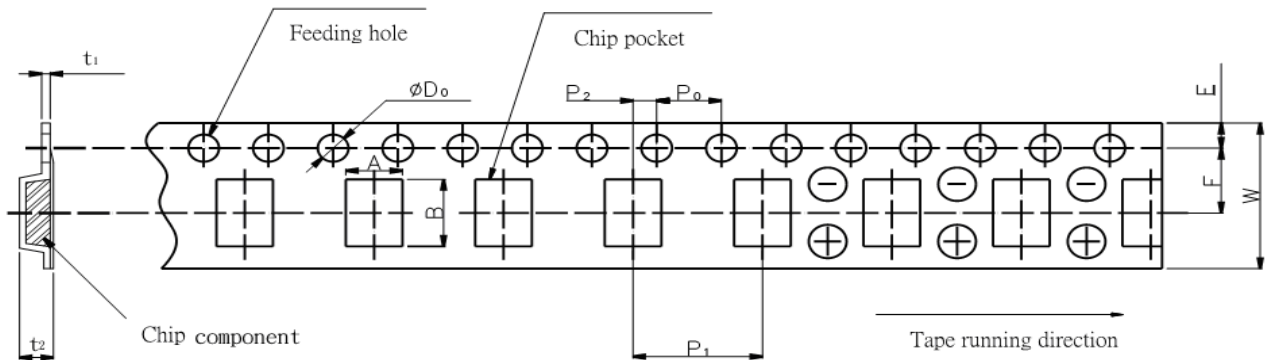
TVY Series

C(μF)	Rated (Surge) Voltage							
	25(32)				35(44)			
	ΦDxL	tan δ*	RC**	Z***	ΦDxL	tan δ*	RC**	Z***
47	6.3x5.4	0.14	240	0.52	6.3x5.4	0.12	240	0.52
68	6.3x5.4	0.14	240	0.52	6.3x7.7	0.12	280	0.34
100	6.3x7.7	0.14	280	0.34	6.3x7.7	0.12	280	0.34
	8x6.2	0.14	300	0.26	8x10.2	0.12	600	0.16
150	8x10.2	0.14	600	0.16	8x10.2	0.12	600	0.16
220	8x10.2	0.14	600	0.16	8x10.2	0.12	600	0.16
					10x10.2	0.12	600	0.16
330	8x10.2	0.14	600	0.16	10x10.2	0.12	850	0.08
470	10x10.2	0.14	850	0.08				

Note: *Max. Dissipation Factor: Tan δ at 120Hz, 20°C
 **Max. Permissible Ripple Current in mA(RMS)/100KHz, 105°C
 ***Max. Impedance: Z(Ω)/100KHz, 20°C

Packing Information:

Carrier Tape Dimensions



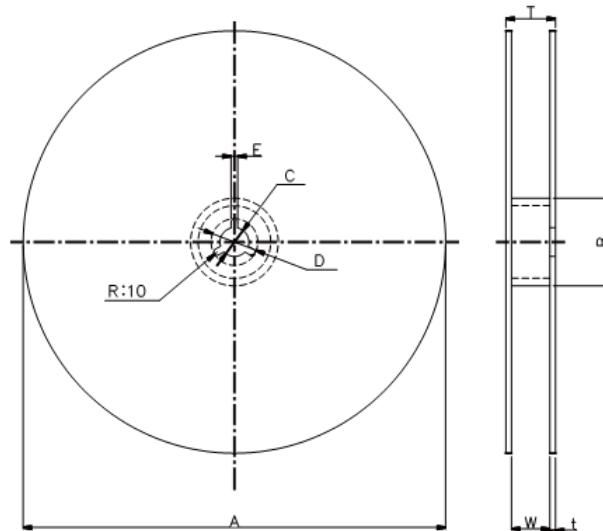
Unit: mm

Case Size	W	A	B	F	P0±0.1	P1	P2±0.1	ΦD0	E	t1	t2	
B	4.0x5.4	12.0	4.7	4.7	5.5	4.0	8.0	2.0	1.5+0.1-0	1.75	0.4	5.8
C	5.0x5.4	12.0	5.7	5.7	5.5	4.0	12.0	2.0	1.5+0.1-0	1.75	0.4	5.8
D	6.3x5.4	16.0	7.0	7.0	7.5	4.0	12.0	2.0	1.5+0.1-0	1.75	0.4	5.8
E	6.3x7.7	16.0	7.0	7.0	7.5	4.0	12.0	2.0	1.5+0.1-0	1.75	0.4	8.3
F	8.0x6.2	16.0	8.7	8.7	7.5	4.0	12.0	2.0	1.5+0.1-0	1.75	0.4	6.8
G	8.0x10.2	24.0	8.7	8.7	11.5	4.0	16.0	2.0	1.5+0.1-0	1.75	0.4	11.0
H	10.0x10.2	24.0	10.7	10.7	11.5	4.0	16.0	2.0	1.5+0.1-0	1.75	0.4	11.0

Ultra Low Impedance Chip Electrolytic Capacitor

TVY Series

Reel Dimensions



Unit: mm

Case Size	A	B	C	D	E	W	T	t
B 4.0x5.4	380±2	50min	13.0±0.5	21.0±0.8	2.0±0.5	14±1	20±1	3.0
C 5.0x5.4	380±2	50min	13.0±0.5	21.0±0.8	2.0±0.5	14±1	20±1	3.0
D 6.3x5.4	380±2	50min	13.0±0.5	21.0±0.8	2.0±0.5	18±1	24±1	3.0
E 6.3x7.7	380±2	50min	13.0±0.5	21.0±0.8	2.0±0.5	18±1	24±1	3.0
F 8.0x6.2	380±2	50min	13.0±0.5	21.0±0.8	2.0±0.5	18±1	24±1	3.0
G 8.0x10.2	380±2	50min	13.0±0.5	21.0±0.8	2.0±0.5	26±1	32±1	3.0
H 10.0x10.2	380±2	50min	13.0±0.5	21.0±0.8	2.0±0.5	26±1	32±1	3.0

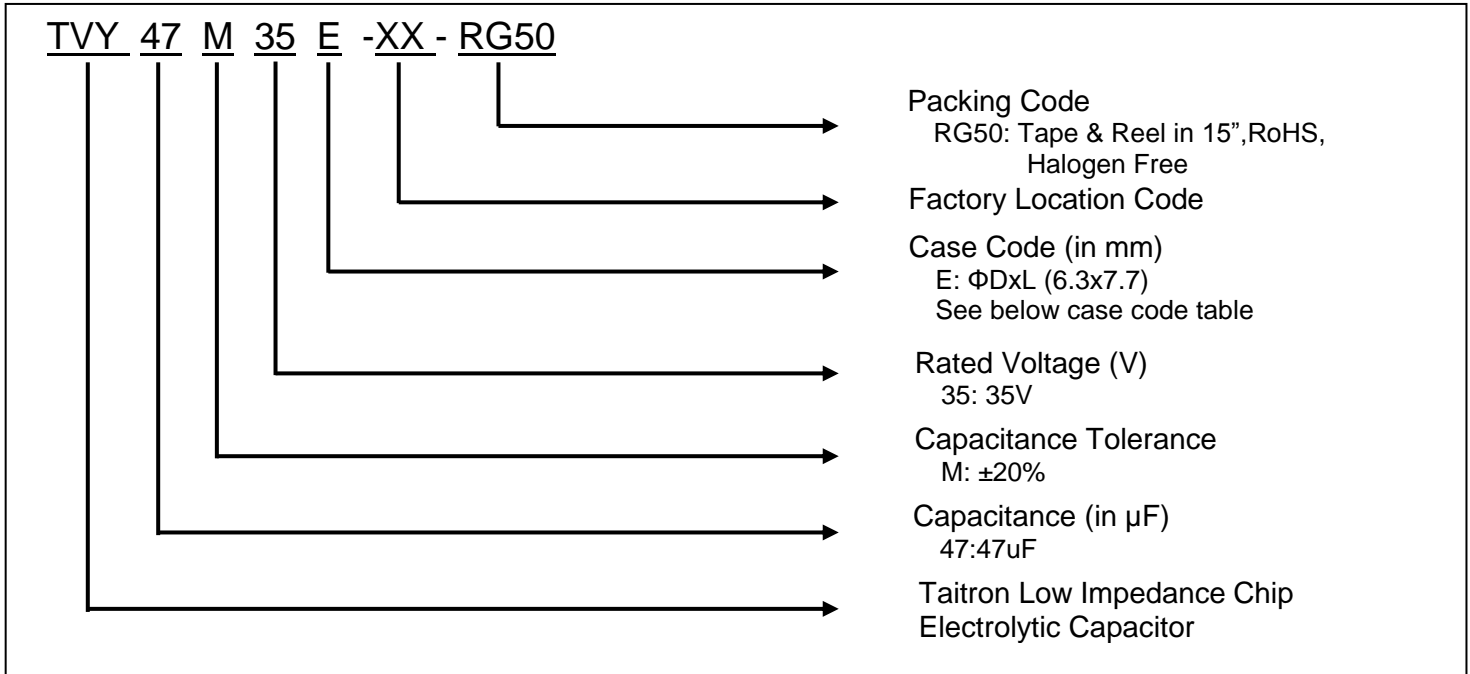
Carton Information

Case Size(mm)	Q'ty per reel (pcs)	Q'ty per inner box (pcs)	Q'ty per outer carton (pcs)
B 4.0x5.4	2000	20,000	40,000
C 5.0x5.4	1000	10,000	20,000
D 6.3x5.4	1000	10,000	20,000
E 6.3x7.7	1000	10,000	20,000
F 8.0x6.2	1000	10,000	20,000
G 8.0x10.2	500	4,000	8,000
H 10.0x10.2	500	4,000	8,000

Ultra Low Impedance Chip Electrolytic Capacitor

TVY Series

How to Order



Case Code Table:

Size Code	B	C	D	E	F	G	H
ΦDxL (mm)	4x5.4	5x5.4	6.3x5.4	6.3x7.7	8x6.2	8x10.2	10x10.2

Ultra Low Impedance Chip Electrolytic Capacitor

TVY Series

How to contact us

USA HEADQUARTERS

28040 WEST HARRISON PARKWAY, VALENCIA, CA 91355-4162

Tel: (800)-TAITRON (800)-824-8766 (661)-257-6060

Fax: (800)-TAITFAX (800)-824-8329 (661)-257-6415

Email: taitron@taitroncomponents.com

Http://www.taitroncomponents.com

TAITRON COMPONENTS INCORPORATED TAIWAN BRANCH

6F., NO.190, SEC. 2, ZHONGXING RD., XINDIAN DIST., NEW TAIPEI CITY 23146, TAIWAN R.O.C.

Tel: 886-2-2913-6238

Fax: 886-2-2913-6239

TAITRON COMPONENT TECHNOLOG SHANGHAI CORPORATION

SUITE 1503, METROBANK PLAZA, 1160 WEST YAN'AN ROAD, SHANGHAI, 200052, CHINA

Tel: +86-21-5424-9942

Fax: +86-21-2302-5027