

Reverse Mini Top View Super Yellow LED

Features

- White SMT package.
- Optical indicator.
- Wide viewing angle.
- Soldering methods: reflow soldering
- Available on tape and reel
- RoHS



M2014



Descriptions

- The series is available in soft orange, green, blue, and yellow.
Due to the package design, the LED has wide viewing angle and optimized light coupling by inter reflector.
- This feature makes the ideal for light pipe application.

Applications

- Optical indicators.
- Coupling into light guides.
- Backlighting (LCD, cellular phones, switches, keys, displays, illuminated advertising, general lighting).
- Coupling into light guides; Interior automotive lighting (e.g. dashboard backlighting, etc.).

Device Selection Guide

Part No.	Chip		Lens Color
	Material	Emitted Color	
TSRY-XF2014-R1S2	AllnGaP	Super Yellow	Water Clear

Reverse Mini Top View Super Yellow LED with Flat Top

TSRY-XF2014-R1S2

Absolute Maximum Ratings (Ta=25°C)

Parameter	Symbol	Rating	Unit
Reverse Voltage	VR	5	V
Forward Current	IF	25	mA
Peak Forward Current (Duty 1/10@1KHz)	IFP	60	mA
Power Dissipation	Pd	60	mW
Electrostatic Discharge (HBM)	ESD	2000	V
Operating Temperature	Topr	-40 ~ +85	°C
Storage Temperature	Tstg	-40 ~ +90	°C
Soldering Temperature	Tsol	Reflow Soldering: 260 °C for 10 seconds.	
		Hand Soldering: 350 °C for 3 seconds.	

Electro-Optical Characteristics (Ta=25°C)

Parameter	Symbol	Min.	Typ.	Max.	Unit	Condition
Luminous Intensity	Iv	112	-----	285	mcd	IF=20mA
Viewing Angle	2θ1/2	-----	120	-----	deg	
Dominant Wavelength	λd	585.5	-----	594.5	nm	
Peak Wavelength	λp	-----	591	-----	nm	
Spectrum Radiation Bandwidth	Δλ	-----	15	-----	nm	
Forward Voltage	VF	1.75	-----	2.35	V	
Reverse Current	IR	-----	-----	10	μA	VR=5V

Notes: Tolerance of Luminous Intensity: ±11%

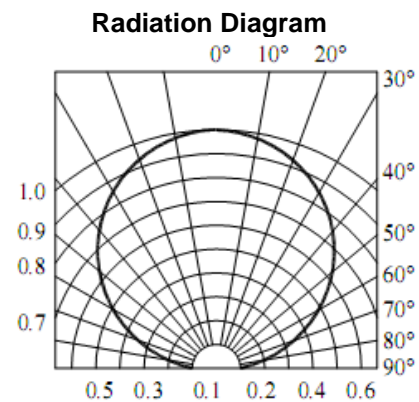
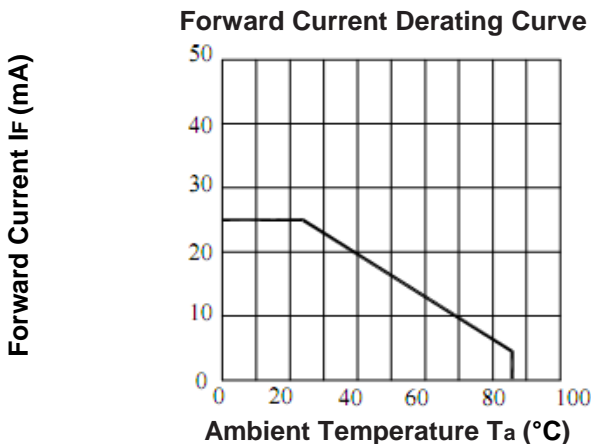
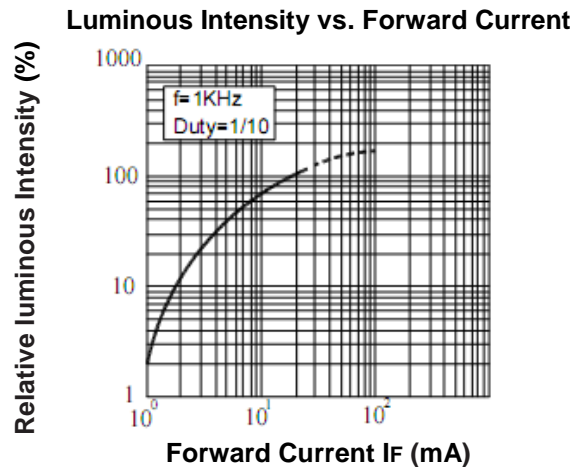
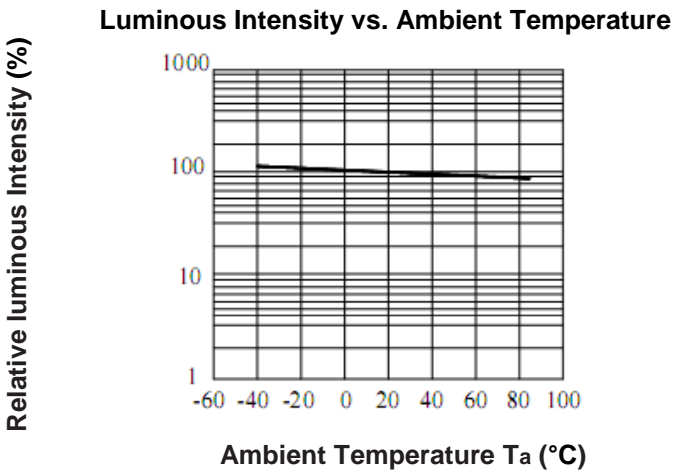
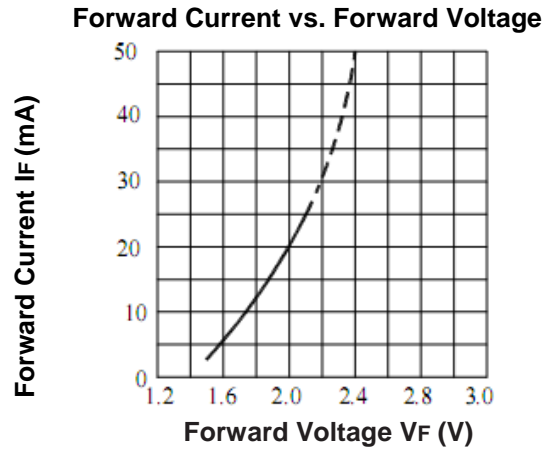
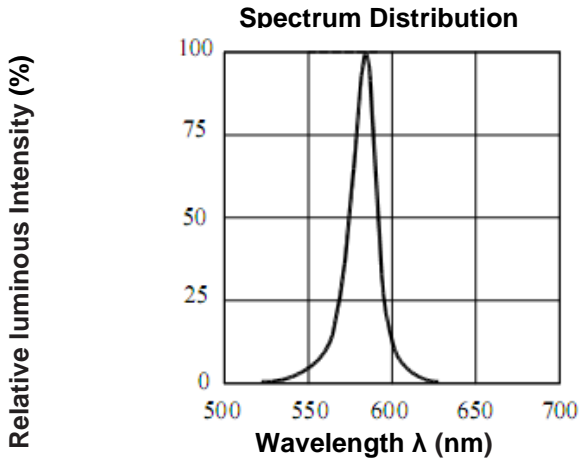
Tolerance of Dominant wavelength: ±1.0nm

Tolerance of Forward Voltage: ±0.1V

Reverse Mini Top View Super Yellow LED with Flat Top

TSRY-XF2014-R1S2

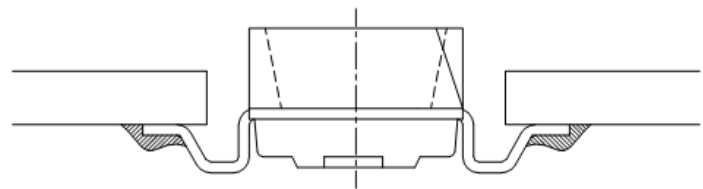
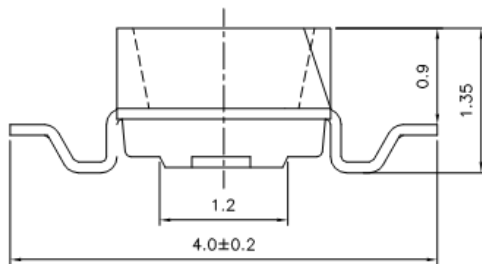
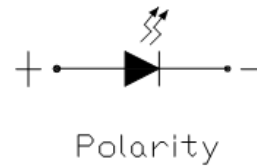
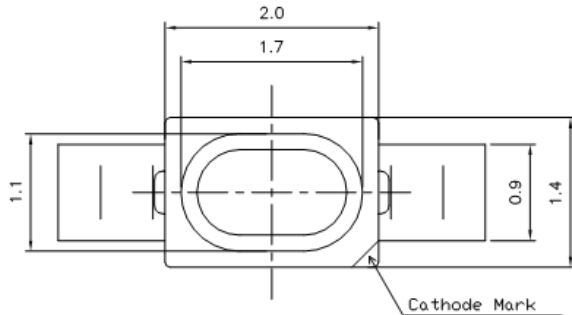
Typical Electro-Optical Characteristics Curves (Ta=25°C)



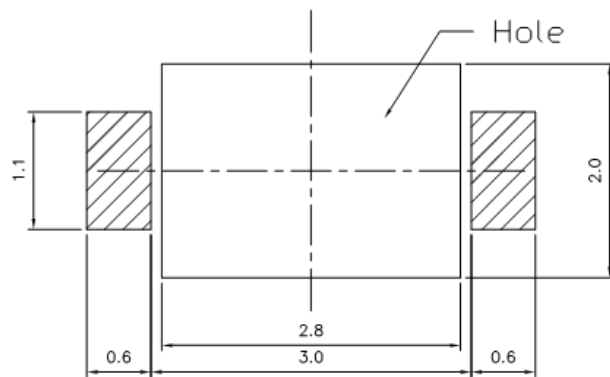
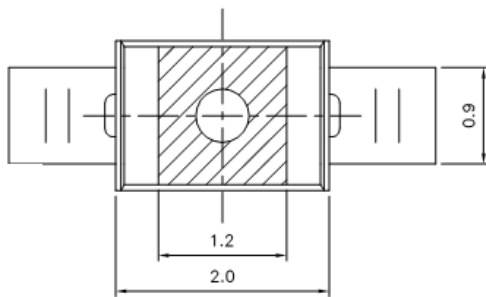
Reverse Mini Top View Super Yellow LED with Flat Top

TSRY-XF2014-R1S2

Package Outline Dimensions (Unit=mm)



Recomment soldering Pad

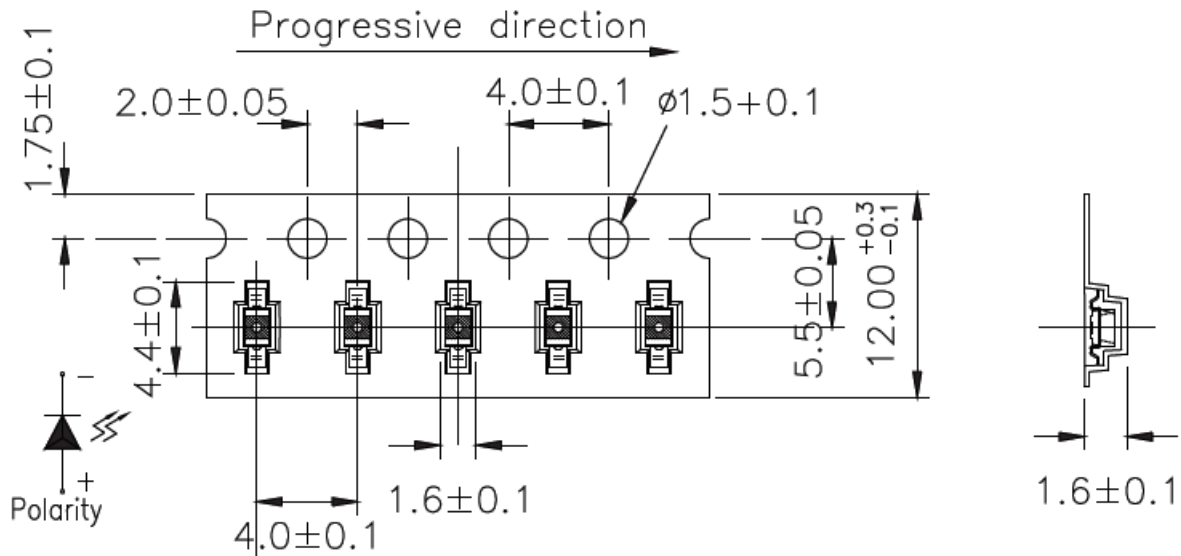


Note: The tolerances unless mentioned is ± 0.1 mm.

Reverse Mini Top View Super Yellow LED with Flat Top

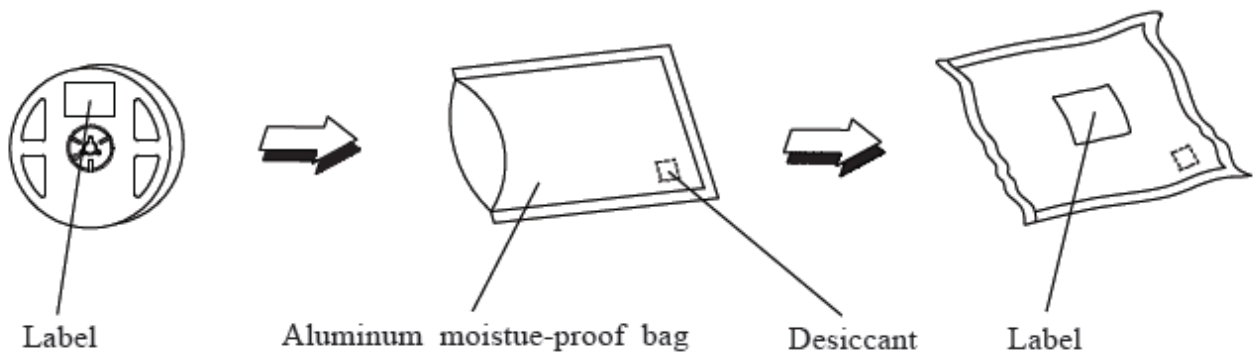
TSRY-XF2014-R1S2

Carrier Tape Dimensions (Unit=mm): Loaded quantity 2000pcs per reel



Note: The tolerances unless mentioned is ± 0.1 mm.

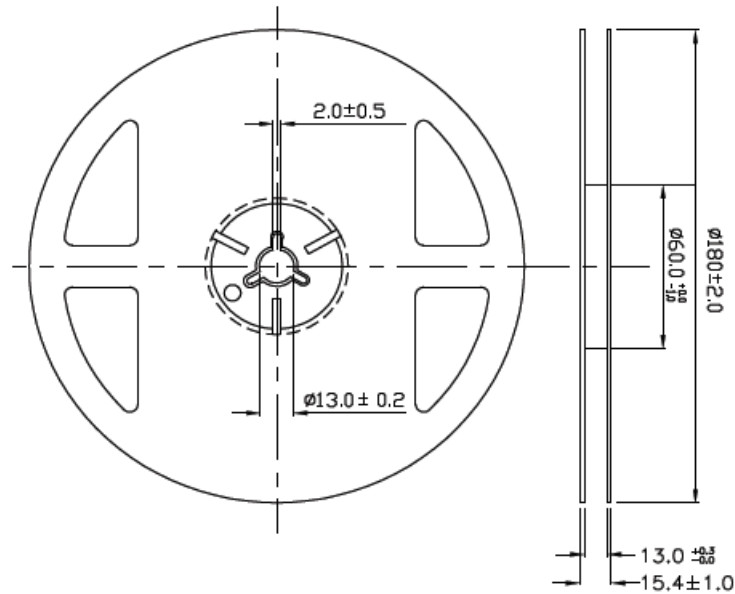
Moisture Resistant Packaging



Reverse Mini Top View Super Yellow LED with Flat Top

TSRY-XF2014-R1S2

Reel Dimensions (Unit=mm):

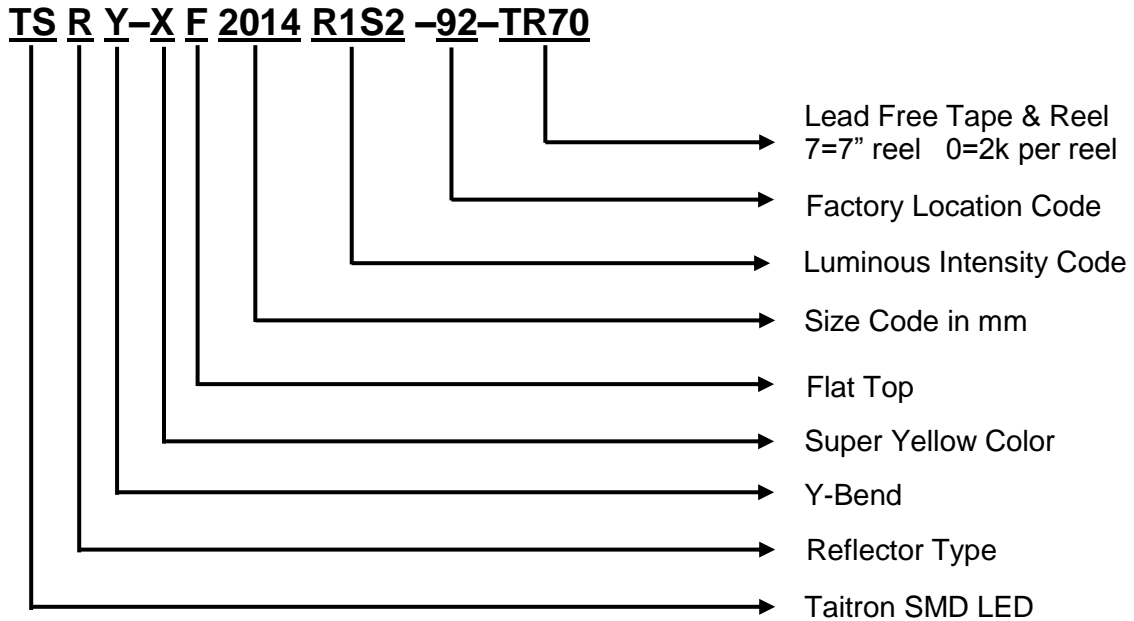


Note: The tolerances unless mentioned is ± 0.1 mm.

Reverse Mini Top View Super Yellow LED with Flat Top

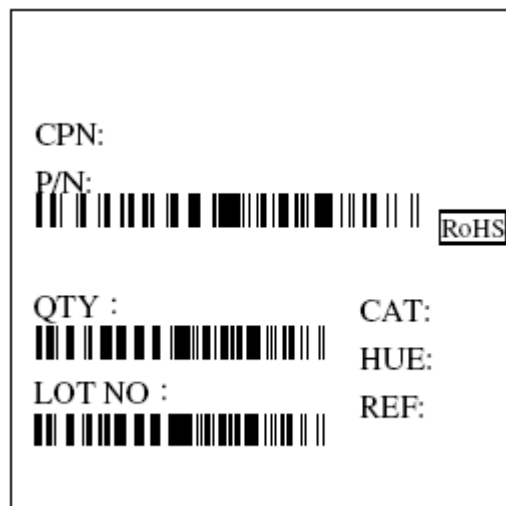
TSRY-XF2014-R1S2

Ordering Information



Label Explanation

- CAT: Luminous Intensity Rank
- HUE: Dominant Wavelength Rank
- REF: Forward Voltage Rank



Reverse Mini Top View Super Yellow LED with Flat Top

TSRY-XF2014-R1S2

Rank Combination

Bin Range of Dominant Wavelength

Group	Bin Code	Min.	Max.	Unit	Condition
A	D3	585.5	588.5	nm	IF=20mA
	D4	588.5	591.5		
	D5	591.5	594.5		

Bin Range of Luminous Intensity

Bin Code	Min.	Max.	Unit	Condition
R1	112	140	mcd	IF=20mA
R2	140	180		
S1	180	225		
S2	225	285		

Bin Range of Forward Voltage

Group	Bin Code	Min.	Max.	Unit	Condition
B	0	1.75	1.95	V	IF=20mA
	1	1.95	2.15		
	2	2.15	2.35		

Notes: Tolerance of Luminous Intensity $\pm 11\%$

Tolerance of Dominant wavelength $\pm 1.0\text{nm}$

Tolerance of Forward Voltage: $\pm 0.1\text{V}$

Reverse Mini Top View Super Yellow LED with Flat Top

TSRY-XF2014-R1S2

How to contact us

USA HEADQUARTERS

28040 WEST HARRISON PARKWAY, VALENCIA, CA 91355-4162

Tel: (800)-TAITRON (800)-824-8766 (661)-257-6060

Fax: (800)-TAITFAX (800)-824-8329 (661)-257-6415

Email: taitron@taitroncomponents.com

Http://www.taitroncomponents.com

TAITRON COMPONENTS INCORPORATED TAIWAN BRANCH

6F., NO.190, SEC. 2, ZHONGXING RD., XINDIAN DIST., NEW TAIPEI CITY 23146, TAIWAN R.O.C.

Tel: 886-2-2913-6238

Fax: 886-2-2913-6239

TAITRON COMPONENT TECHNOLOG SHANGHAI CORPORATION

SUITE 1503, METROBANK PLAZA, 1160 WEST YAN'AN ROAD, SHANGHAI, 200052, CHINA

Tel: +86-21-5424-9942

Fax: +86-21-2302-5027