

## Reverse Mini Top View True Green LED

### Features

- White SMT package.
- Optical indicator.
- Wide viewing angle.
- Soldering methods: reflow soldering
- Available on tape and reel
- RoHS



M2014



### Descriptions

- The series is available in soft orange, green, blue, and yellow.  
Due to the package design, the LED has wide viewing angle and optimized light coupling by inter reflector.
- This feature makes the ideal for light pipe application.

### Applications

- Optical indicators.
- Coupling into light guides.
- Backlighting (LCD, cellular phones, switches, keys, displays, illuminated advertising, general lighting).
- Coupling into light guides; Interior automotive lighting (e.g. dashboard backlighting, etc.).

### Device Selection Guide

Part No.	Chip		Lens Color
	Material	Emitted Color	
TSRY-TF2014-S2U1	AllnGaP	True Green	Water Clear

# Reverse Mini Top View True Green LED with Flat Top

## TSRY-TF2014-S2U1

### Absolute Maximum Ratings (Ta=25°C)

Parameter	Symbol	Rating	Unit
Reverse Voltage	VR	5	V
Forward Current	IF	25	mA
Peak Forward Current (Duty 1/10@1KHz)	IFP	95	mA
Power Dissipation	Pd	100	mW
Electrostatic Discharge (HBM)	ESD	150	V
Operating Temperature	Topr	-40 ~ +85	°C
Storage Temperature	Tstg	-40 ~ +90	°C
Soldering Temperature	Tsol	Reflow Soldering: 260 °C for 10 seconds.	
		Hand Soldering: 350 °C for 3 seconds.	

### Electro-Optical Characteristics (Ta=25°C)

Parameter	Symbol	Min.	Typ.	Max.	Unit	Condition
Luminous Intensity	Iv	225	-----	565	mcd	IF=20mA
Viewing Angle	2θ1/2	-----	120	-----	deg	
Dominant Wavelength	λd	520	-----	535	nm	
Peak Wavelength	λp	-----	518	-----	nm	
Spectrum Radiation Bandwidth	Δλ	-----	35	-----	nm	
Forward Voltage	VF	2.70	-----	3.70	V	
Reverse Current	IR	-----	-----	10	μA	VR=5V

**Notes:** Tolerance of Luminous Intensity: ±11%

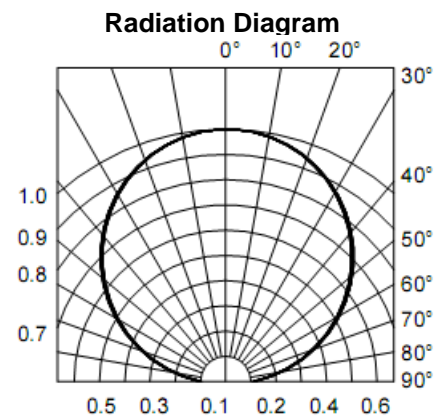
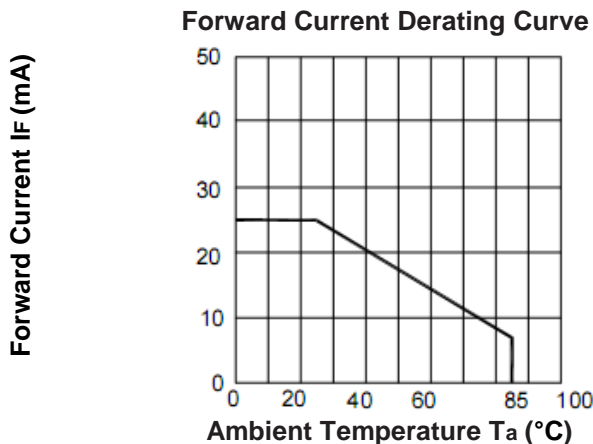
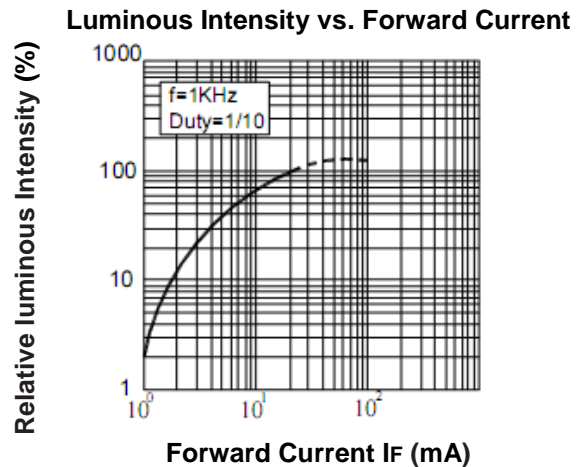
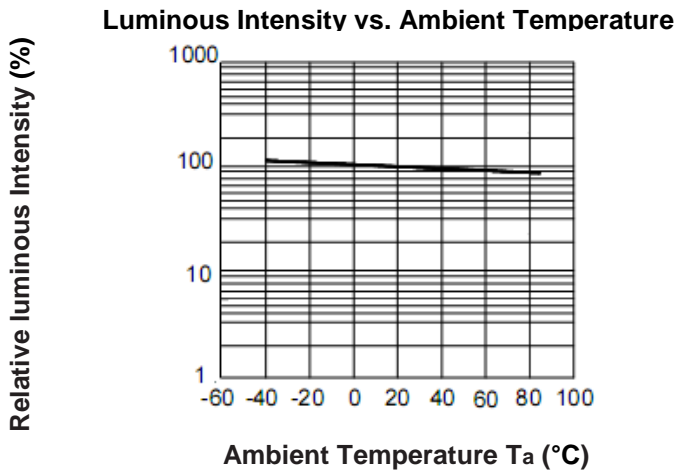
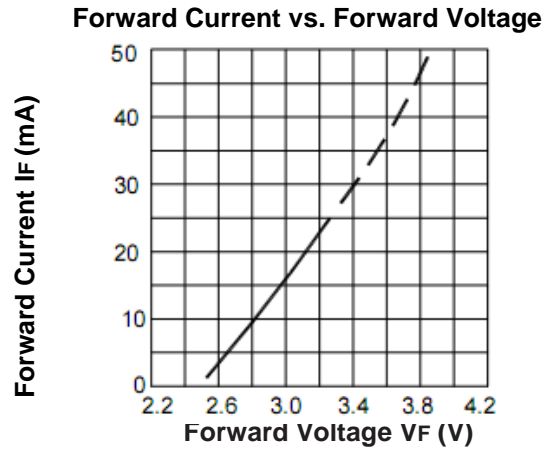
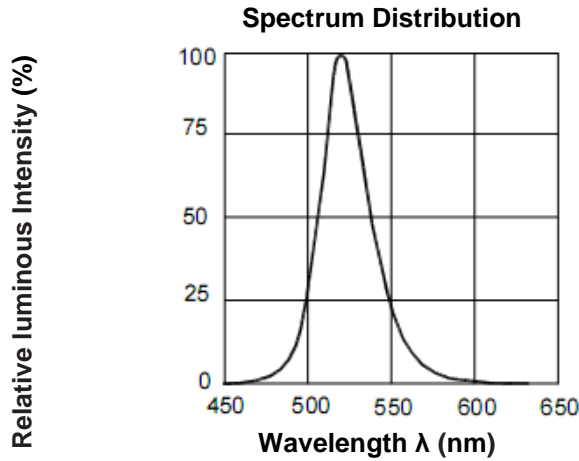
Tolerance of Dominant wavelength: ±1.0nm

Tolerance of Forward Voltage: ±0.1V

# Reverse Mini Top View True Green LED with Flat Top

## TSRY-TF2014-S2U1

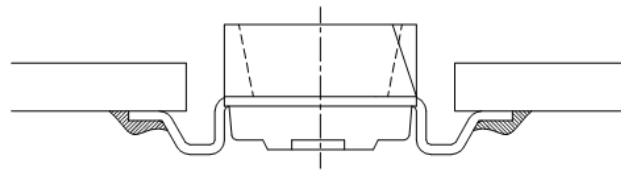
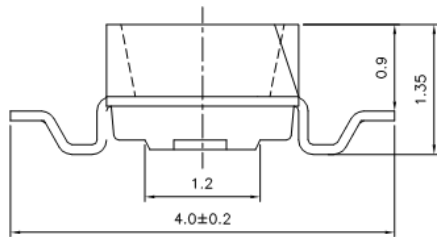
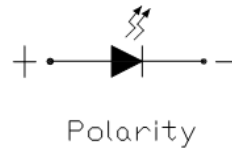
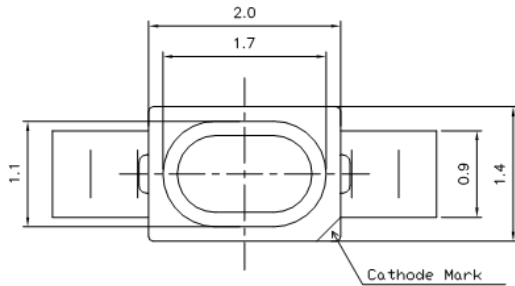
### Typical Electro-Optical Characteristics Curves (Ta=25°C)



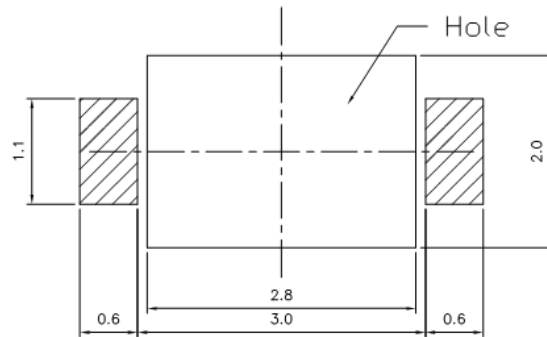
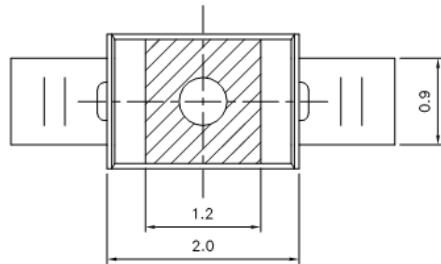
# Reverse Mini Top View True Green LED with Flat Top

TSRY-TF2014-S2U1

## Package Outline Dimensions (Unit=mm)



Recomment soldering Pad

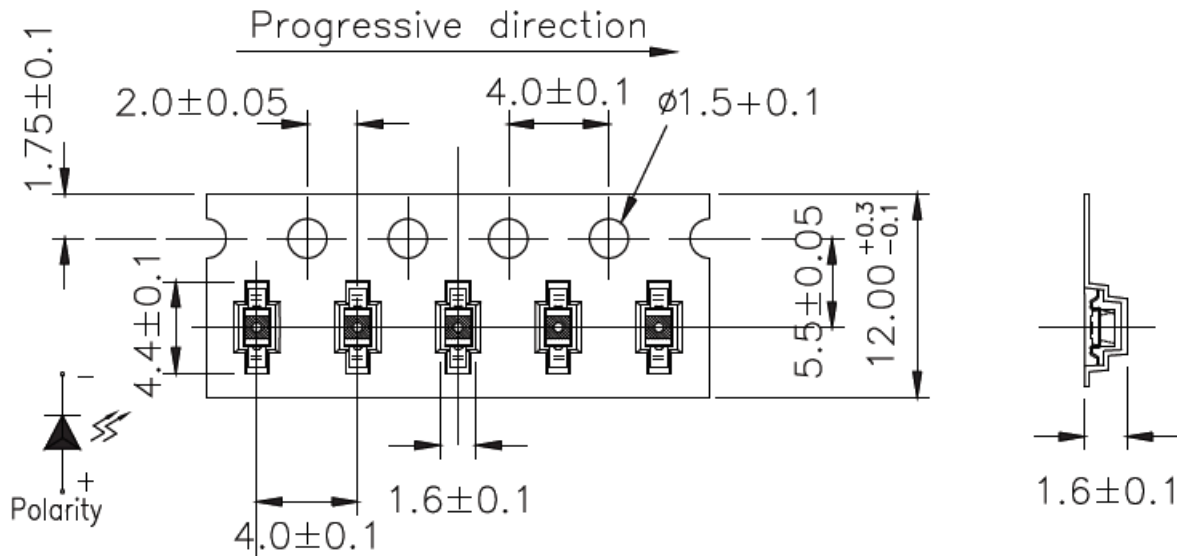


**Note:** The tolerances unless mentioned is  $\pm 0.1$ mm.

# Reverse Mini Top View True Green LED with Flat Top

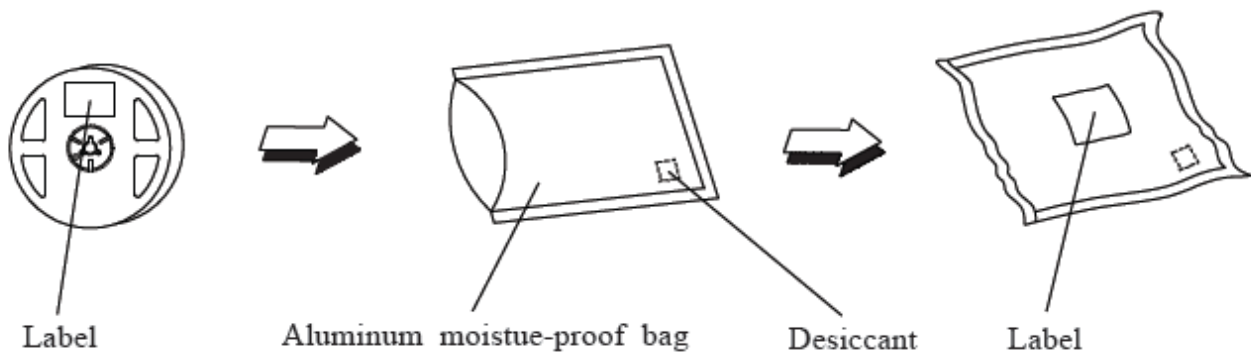
## TSRY-TF2014-S2U1

Carrier Tape Dimensions (Unit=mm): Loaded quantity 2000pcs per reel



**Note:** The tolerances unless mentioned is  $\pm 0.1$ mm.

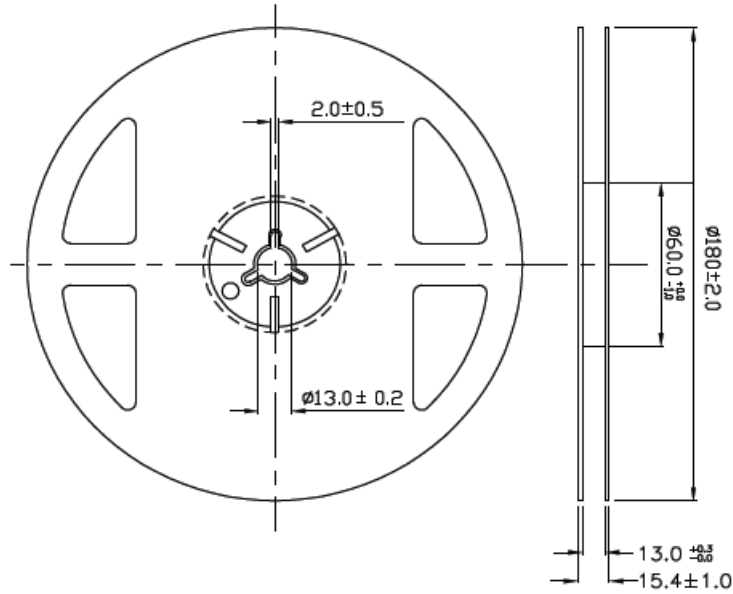
### Moisture Resistant Packaging



# Reverse Mini Top View True Green LED with Flat Top

TSRY-TF2014-S2U1

Reel Dimensions (Unit=mm):

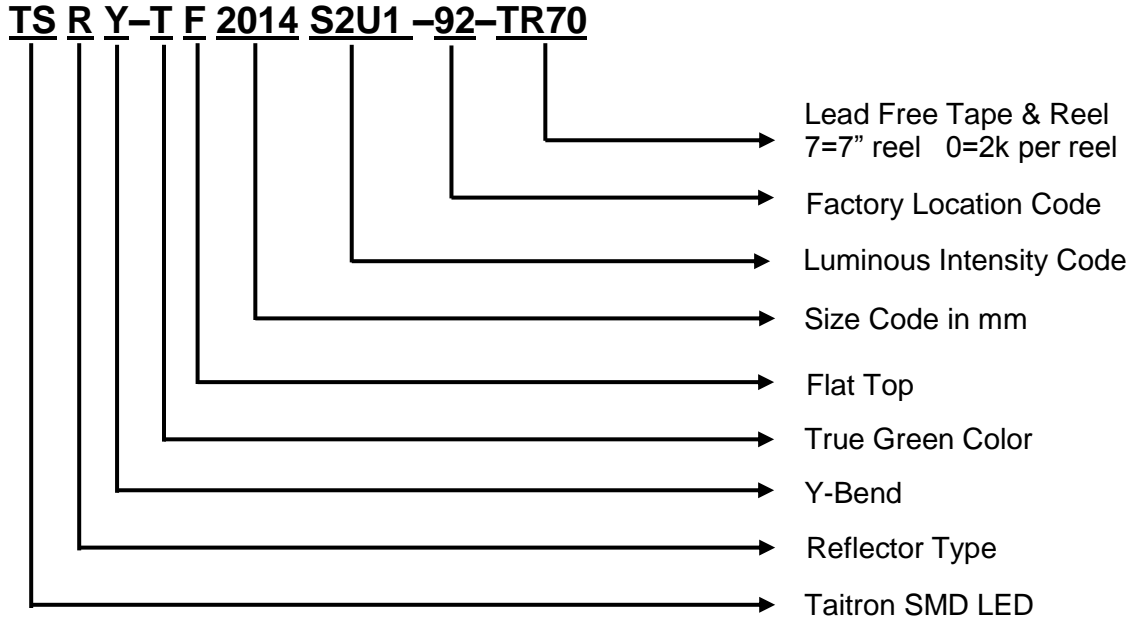


**Note:** The tolerances unless mentioned is  $\pm 0.1$ mm.

# Reverse Mini Top View True Green LED with Flat Top

## TSRY-TF2014-S2U1

### Ordering Information



### Label Explanation

- CAT: Luminous Intensity Rank
- HUE: Dominant Wavelength Rank
- REF: Forward Voltage Rank

CPN:  
P/N:  
QTY :  
LOT NO :

CAT:  
HUE:  
REF:

# Reverse Mini Top View True Green LED with Flat Top

## TSRY-TF2014-S2U1

### Rank Combination

#### Bin Range of Dominant Wavelength

Group	Bin Code	Min.	Max.	Unit	Condition
Y	X	520	525	nm	IF=20mA
	Y	525	530		
	Z	530	535		

#### Bin Range of Luminous Intensity

Bin Code	Min.	Max.	Unit	Condition
S2	225	285	mcd	IF=20mA
T1	285	360		
T2	360	450		
U1	450	565		

#### Bin Range of Forward Voltage

Group	Bin Code	Min.	Max.	Unit	Condition
G	34	2.70	2.80	V	IF=20mA
	35	2.80	2.90		
	36	2.90	3.00		
	37	3.00	3.10		
	38	3.10	3.20		
	39	3.20	3.30		
	40	3.30	3.40		
	41	3.40	3.50		
	42	3.50	3.60		
	43	3.60	3.70		

**Notes:** Tolerance of Luminous Intensity  $\pm 11\%$

Tolerance of Dominant wavelength  $\pm 1.0\text{nm}$

Tolerance of Forward Voltage:  $\pm 0.1\text{V}$



# Reverse Mini Top View True Green LED with Flat Top

---

**TSRY-TF2014-S2U1**

## How to contact us

### **USA HEADQUARTERS**

28040 WEST HARRISON PARKWAY, VALENCIA, CA 91355-4162

Tel: (800)-TAITRON (800)-824-8766 (661)-257-6060

Fax: (800)-TAITFAX (800)-824-8329 (661)-257-6415

Email: [taitron@taitroncomponents.com](mailto:taitron@taitroncomponents.com)

Http://[www.taitroncomponents.com](http://www.taitroncomponents.com)

### **TAITRON COMPONENTS INCORPORATED TAIWAN BRANCH**

6F., NO.190, SEC. 2, ZHONGXING RD., XINDIAN DIST., NEW TAIPEI CITY 23146, TAIWAN R.O.C.

Tel: 886-2-2913-6238

Fax: 886-2-2913-6239

### **TAITRON COMPONENT TECHNOLOG SHANGHAI CORPORATION**

SUITE 1503, METROBANK PLAZA, 1160 WEST YAN'AN ROAD, SHANGHAI, 200052, CHINA

Tel: +86-21-5424-9942

Fax: +86-21-2302-5027