

Top View with Yellow LED

Features

- PLCC-2 package.
- White package
- Optical indicator and colorless clear window.
- Wide viewing angle.
- Suitable for vapor-phase reflow, Infrared reflow and wave solder processes.
- Computable with automatic placement equipment.



M3227

Descriptions

- This series is available in soft orange, green, blue and yellow.
Due to the package design, the optimized light coupling by inter reflector.
- The feature makes the ideal for light pipe application. The low current requirement makes this device ideal for portable equipment or any other application where power is at a premium.

Applications

- Automotive: backlighting in dashboard and switch.
- Telecommunication: indicator and backlighting in telephone and fax.
- Flat backlight for LCD, switches and symbols.
- Light pipe application.
- General use

Device Selection Guide

Part No.	Chip		Lens Color
	Material	Emitted Color	
TSRJ-YT3227	GaAsP/GaP	Yellow	Water Clear

Absolute Maximum Ratings (Ta=25°C)

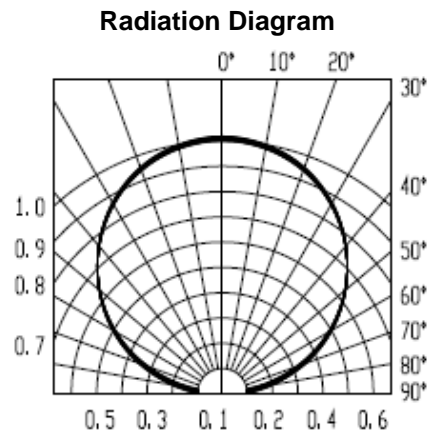
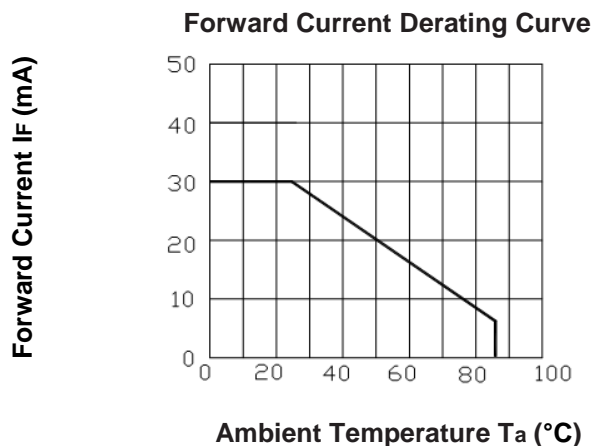
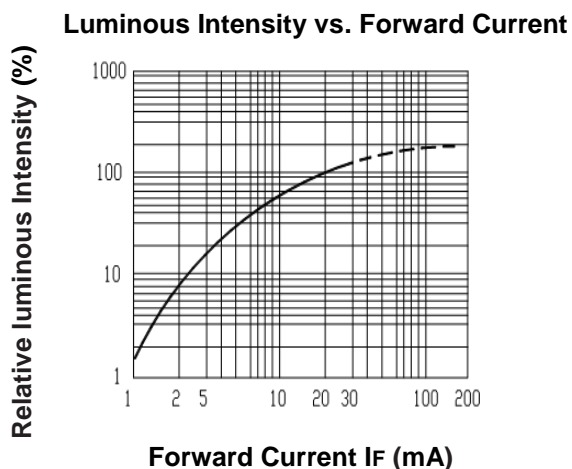
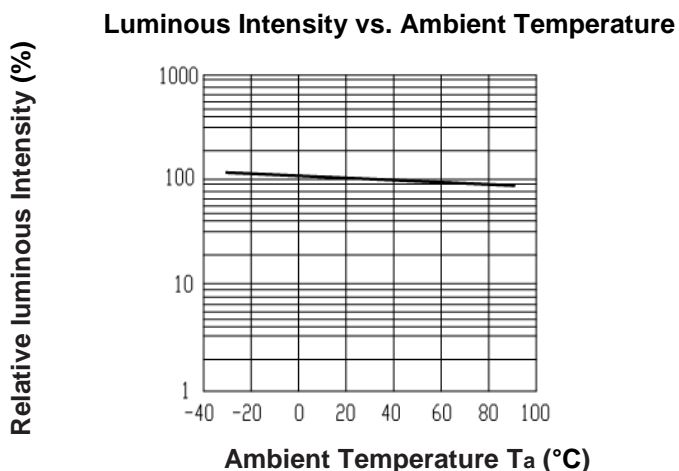
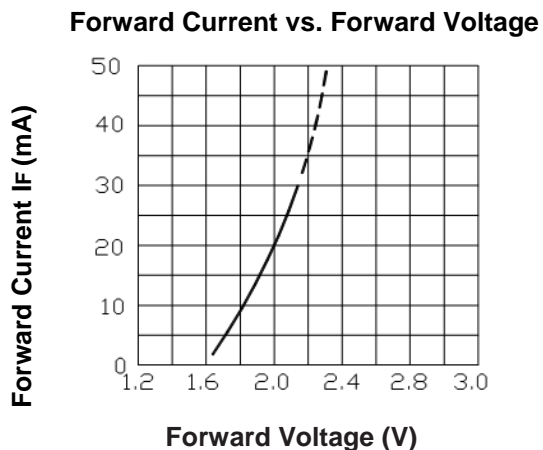
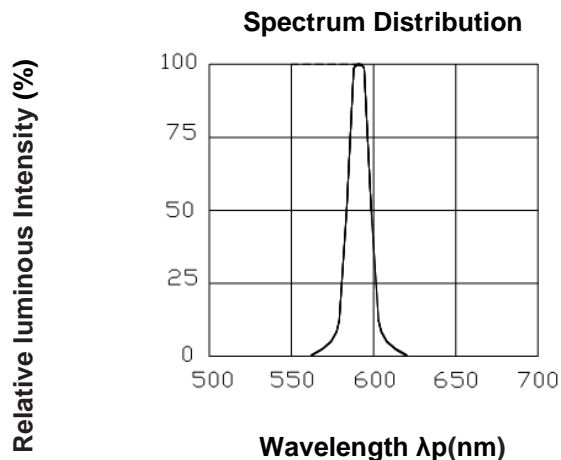
Parameter	Symbol	Rating	Unit
Reverse Voltage	VR	5	V
Forward Current	IF	30	mA
Peak Forward Current (Duty 1/10@1KHz)	IFP	160	mA
Power Dissipation	Pd	100	mW
Operating Temperature	Topr	-40 ~ +85	°C
Storage Temperature	Tstg	-40 ~ +90	°C
Soldering Temperature	Tsol	260 for 5 seconds.	°C

Electro-Optical Characteristics (Ta=25°C)

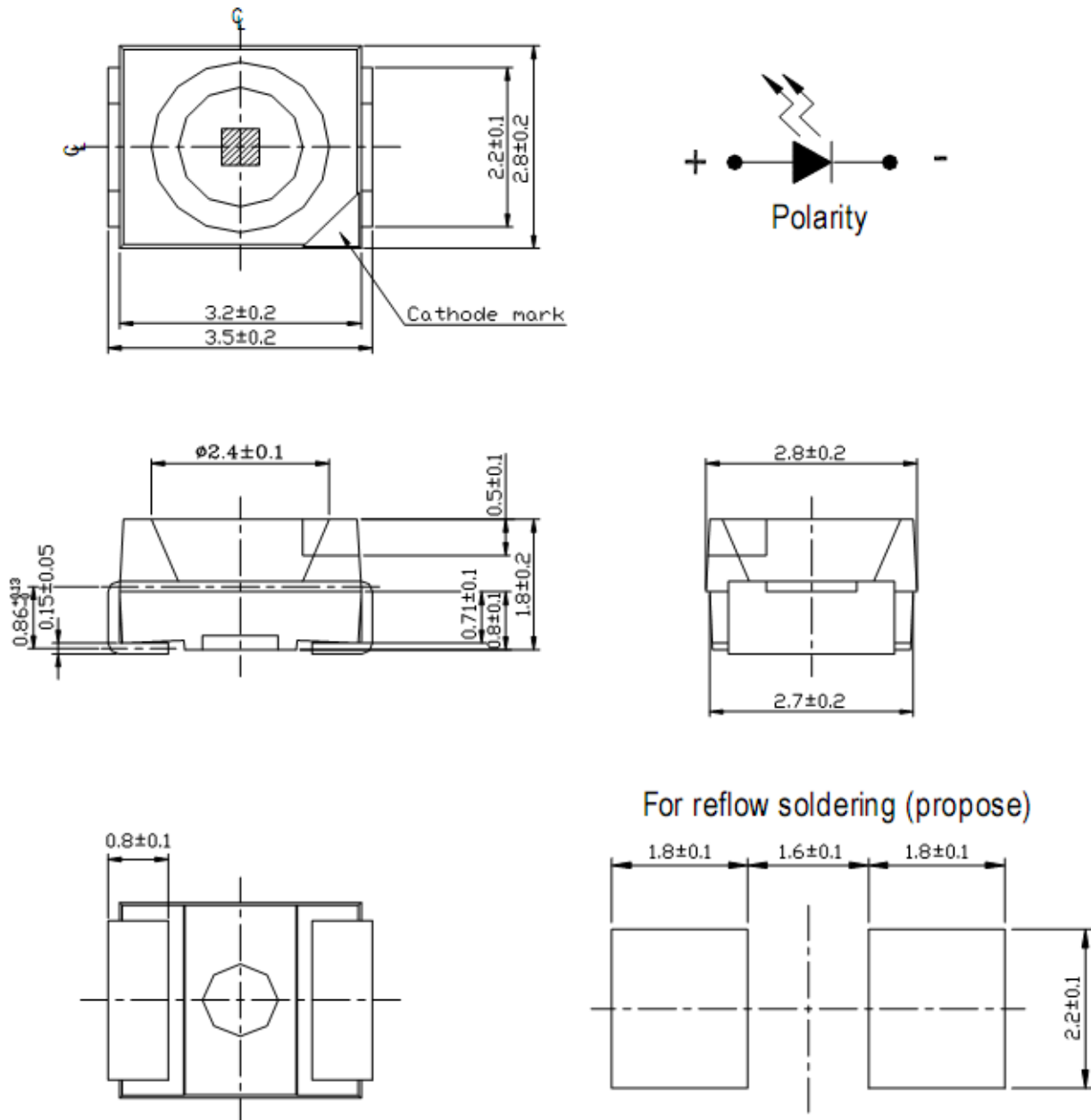
Parameter	Symbol	Min.	Typ.	Max.	Unit	Condition
Luminous Intensity	Iv	6	10	-----	mcd	IF=20mA
Dominant Wavelength	λ_d	-----	590	-----	nm	
Peak Wavelength	λ_p	-----	585	-----	nm	
Spectrum Radiation Bandwidth	$\Delta\lambda$	-----	35	-----	nm	
Viewing Angle	$2\theta_{1/2}$	-----	120	-----	deg	
Forward Voltage	VF	1.7	2.0	2.4	V	
Reverse Current	IR	-----	-----	10	μ A	VR=5V

Notes: Tolerance of Luminous Intensity: $\pm 10\%$
 Tolerance of Dominant wavelength: $\pm 1.0\text{nm}$
 Tolerance of Forward Voltage: $\pm 0.1\text{V}$

Typical Electro-Optical Characteristics Curves (Ta=25°C)

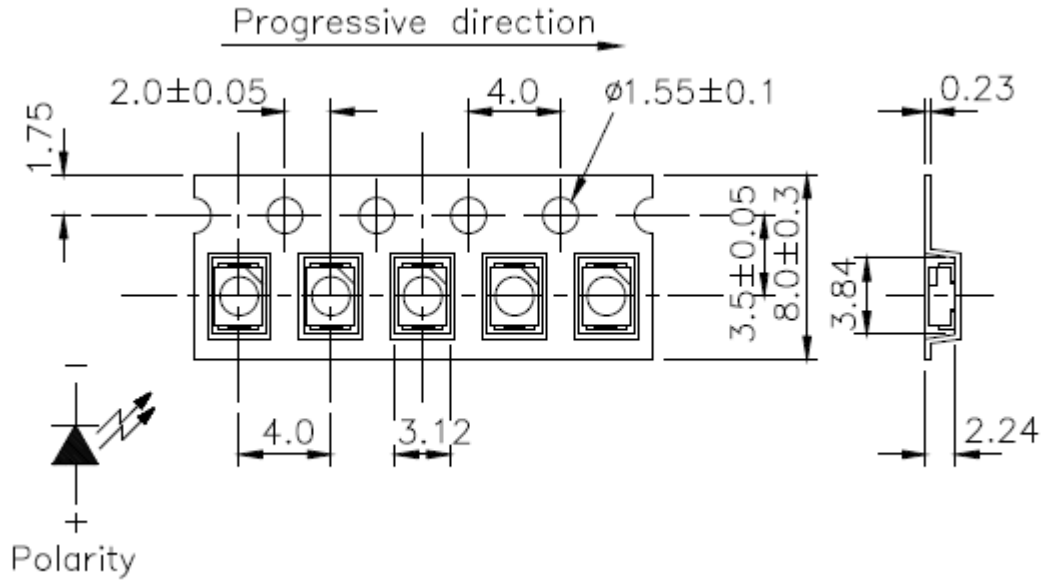


Package Outline Dimensions (Unit=mm)



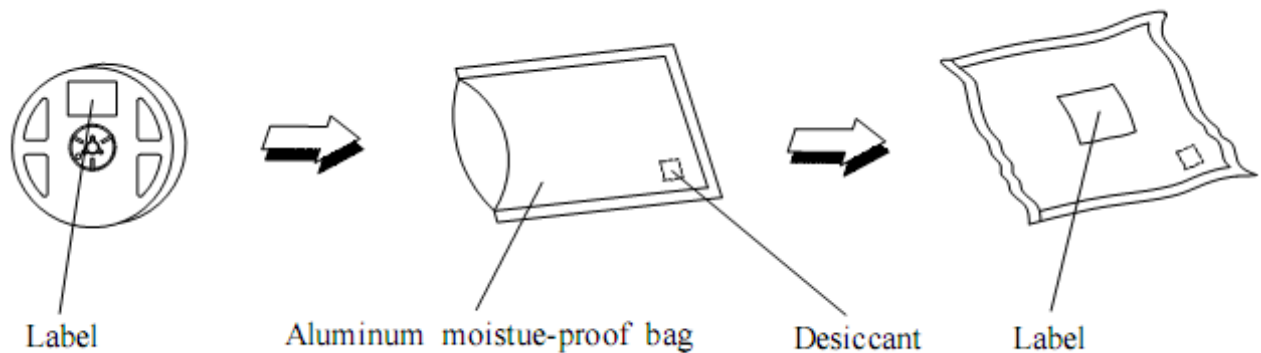
Note: The tolerances unless mentioned is ± 0.1 mm.

Carrier Tape Dimensions (Unit=mm): Loaded quantity 2000pcs per reel

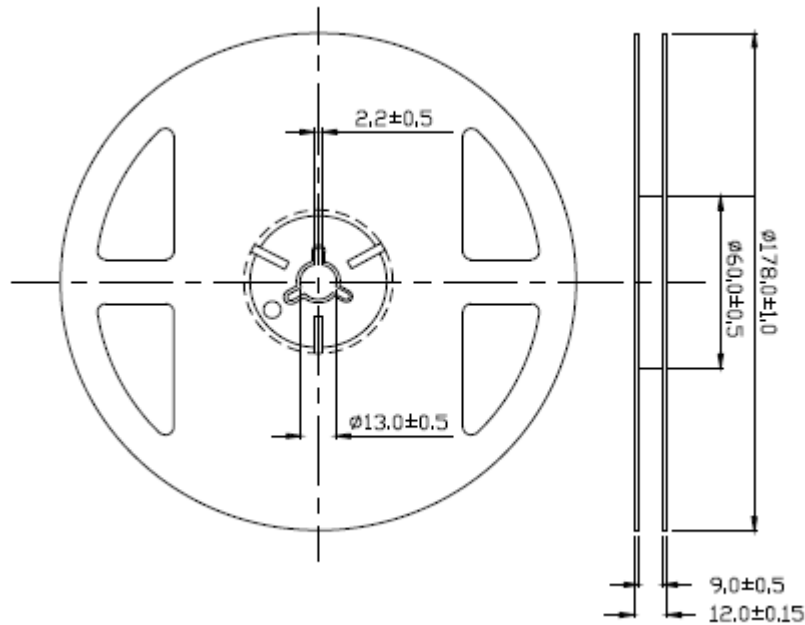


Note: The tolerances unless mentioned is ±0.1mm.

Moisture Resistant Packaging

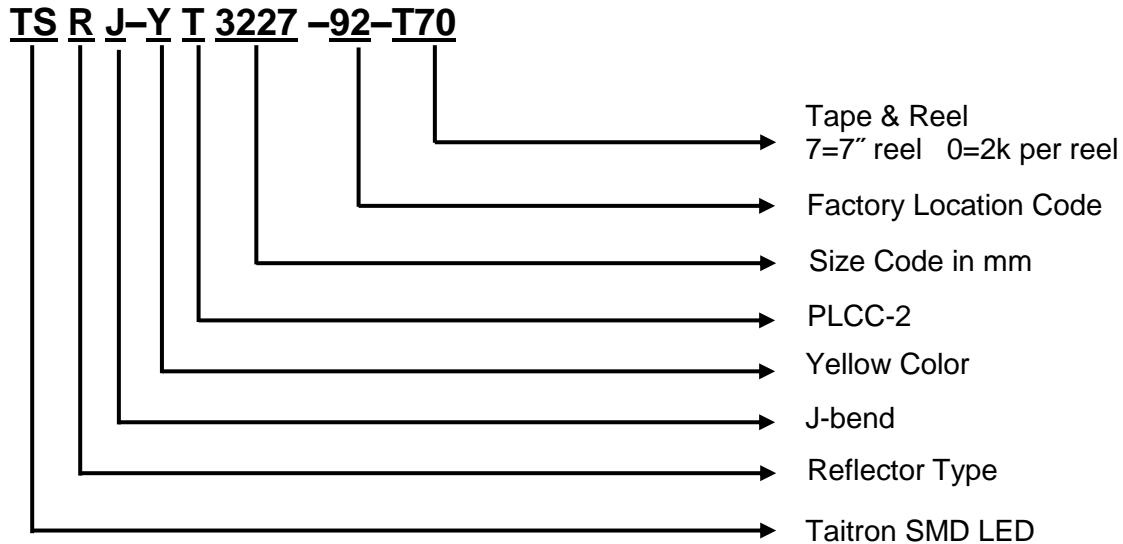


Reel Dimensions (Unit=mm):



Note: The tolerances unless mentioned is ± 0.1 mm.

Ordering Information



How to contact us

USA HEADQUARTERS

28040 WEST HARRISON PARKWAY, VALENCIA, CA 91355-4162

Tel: (800)-TAITRON (800)-824-8766 (661)-257-6060

Fax: (800)-TAITFAX (800)-824-8329 (661)-257-6415

Email: taitron@taitroncomponents.com

Http://www.taitroncomponents.com

TAITRON COMPONENTS INCORPORATED TAIWAN BRANCH

6F., NO.190, SEC. 2, ZHONGXING RD., XINDIAN DIST., NEW TAIPEI CITY 23146, TAIWAN R.O.C.

Tel: 886-2-2913-6238

Fax: 886-2-2913-6239

TAITRON COMPONENT TECHNOLOG SHANGHAI CORPORATION

SUITE 1503, METROBANK PLAZA, 1160 WEST YAN'AN ROAD, SHANGHAI, 200052, CHINA

Tel: +86-21-5424-9942

Fax: +86-21-2302-5027