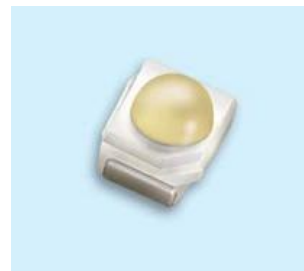


## Top View with Yellowish Green LED

### Features

- PLCC-2 package.
- High flux output.
- High current capability.
- White package.
- Optical indicator.
- Colorless clear window.
- Ideal for backlight and light pipe application.
- Inter reflector.
- Suitable for automatic placement equipment.
- Suitable for reflow and wave solder processes.
- RoHS



M3227



### Descriptions

- This series is available in soft orange, green, blue and yellow.  
Due to the package design, the optimized light coupling by inter reflector.
- The feature makes the ideal for light pipe application. The low current requirement makes this device ideal for portable equipment or any other application where power is at a premium.

### Applications

- Indicator and backlight for audio and video equipment.
- Indicator and backlight in office and family equipment.
- Flat backlight for LCD, switches and symbols.
- Light pipe application.
- General use.

### Device Selection Guide

Part No.	Chip		Lens Color
	Material	Emitted Color	
TSRJ-FT3227-R1S2	AlInGaP	Yellowish Green	Water Clear

### Absolute Maximum Ratings (Ta=25°C)

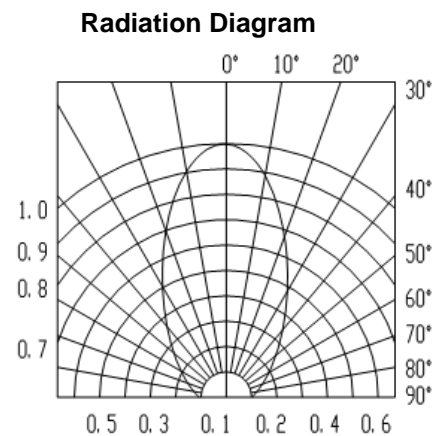
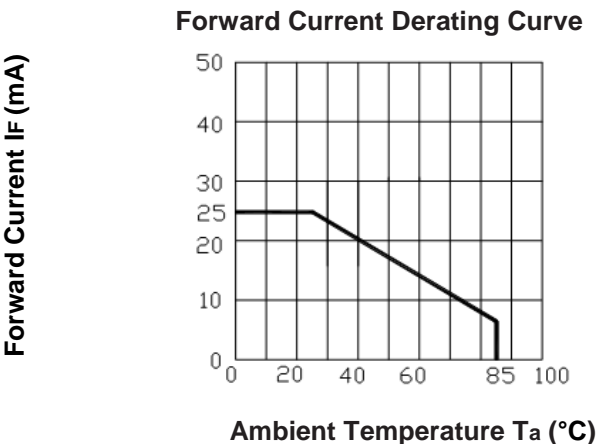
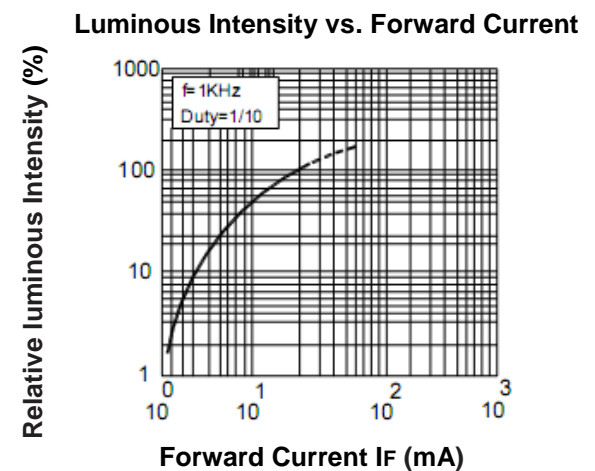
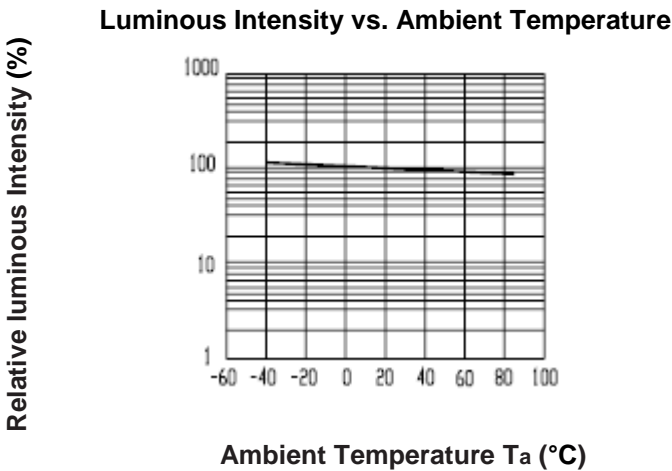
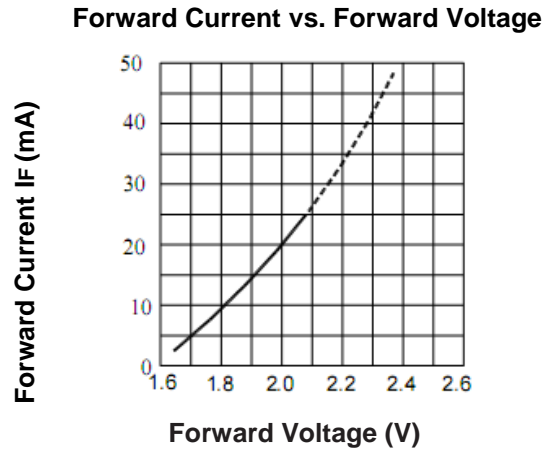
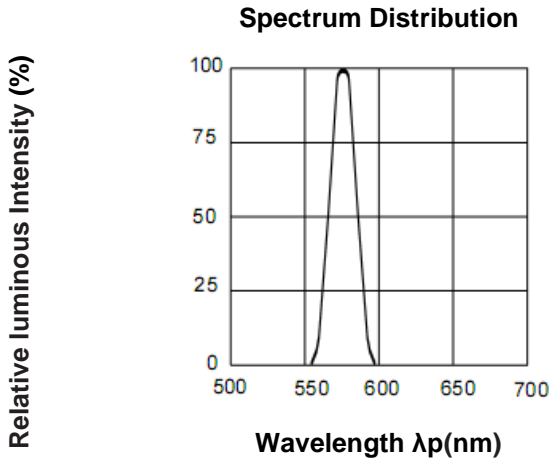
Parameter	Symbol	Rating	Unit
Reverse Voltage	VR	5	V
Forward Current	IF	25	mA
Peak Forward Current (Duty 1/10@1KHz)	IFP	60	mA
Power Dissipation	Pd	60	mW
Electrostatic Discharge(HBM)	ESD	2000	V
Operating Temperature	Topr	-40 ~ +85	°C
Storage Temperature	Tstg	-40 ~ +90	°C
Soldering Temperature	Tsol	Reflow Soldering: 260 °C for 10 seconds Hand Soldering: 350 °C for 3 seconds	

### Electro-Optical Characteristics (Ta=25°C)

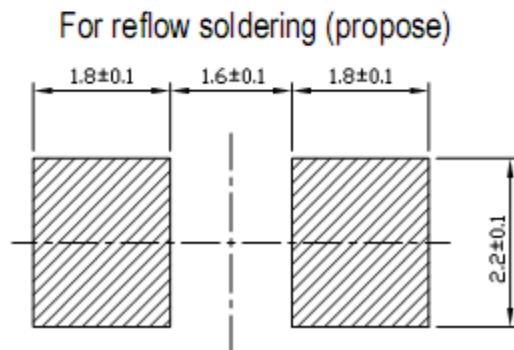
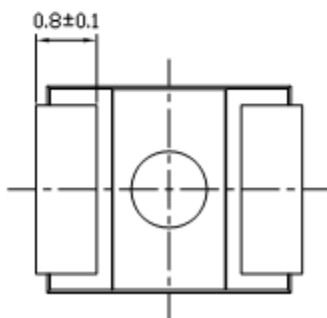
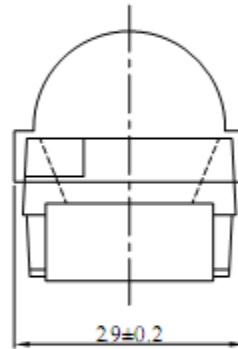
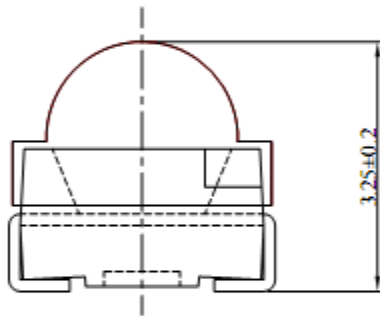
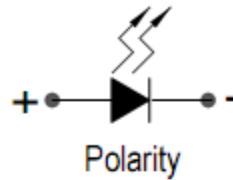
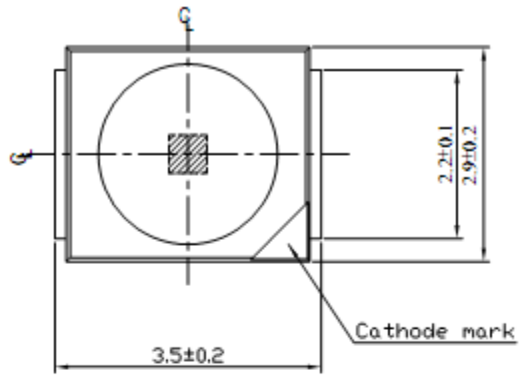
Parameter	Symbol	Min.	Typ.	Max.	Unit	Condition
Luminous Intensity	Iv	112	-----	285	mcd	IF=20mA
Dominant Wavelength	$\lambda_d$	567.5	-----	575.5	nm	
Peak Wavelength	$\lambda_p$	-----	575.0	-----	nm	
Spectrum Radiation Bandwidth	$\Delta\lambda$	-----	20	-----	nm	
Viewing Angle	$2\theta_{1/2}$	-----	60	-----	deg	
Forward Voltage	VF	1.75	-----	2.35	V	
Reverse Current	IR	-----	-----	10	$\mu$ A	VR=5V

**Notes:** Tolerance of Luminous Intensity:  $\pm 10\%$   
 Tolerance of Dominant wavelength:  $\pm 1.0\text{nm}$   
 Tolerance of Forward Voltage:  $\pm 0.1\text{V}$

### Typical Electro-Optical Characteristics Curves (Ta=25°C)



### Package Outline Dimensions (Unit=mm)

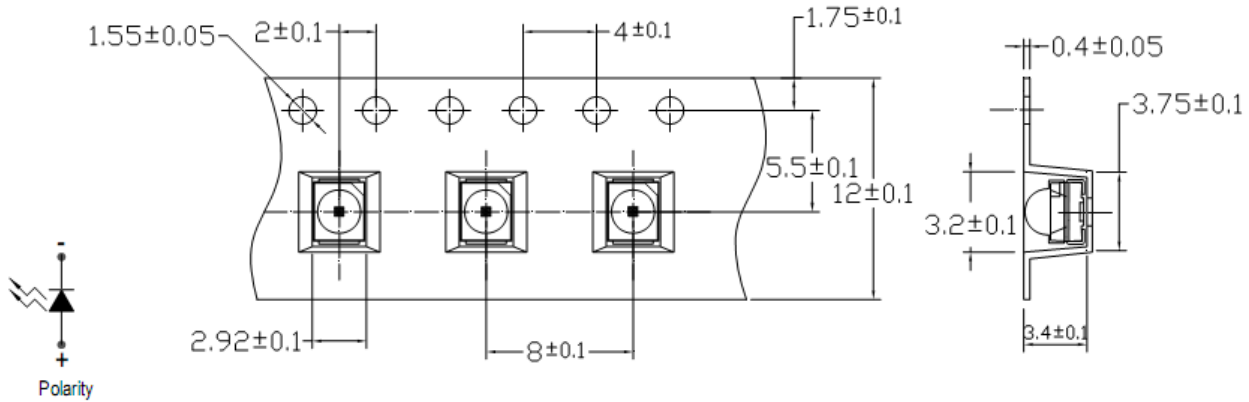


**Note:** The tolerances unless mentioned is  $\pm 0.1$ mm.

# Top View with Yellowish Green LED

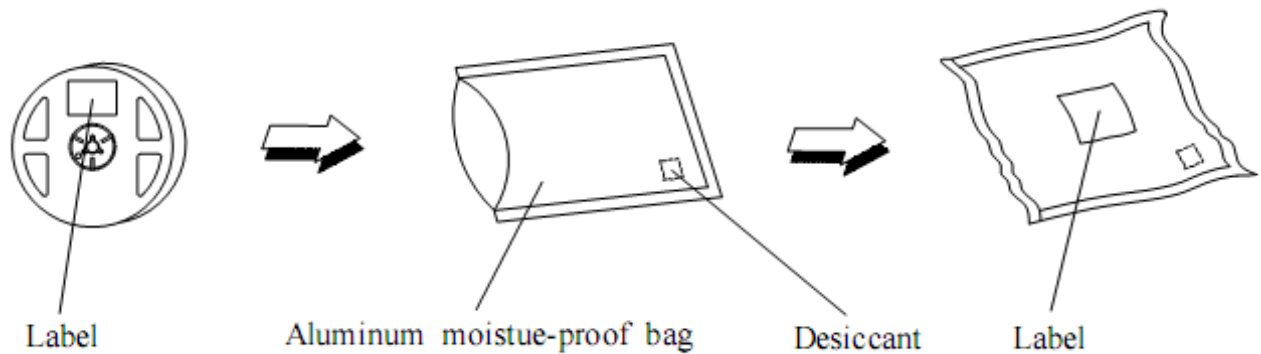
## TSRJ-FT3227-R1S2

Carrier Tape Dimensions (Unit=mm): Loaded quantity 500pcs per reel



**Note:** The tolerances unless mentioned is  $\pm 0.1$ mm.

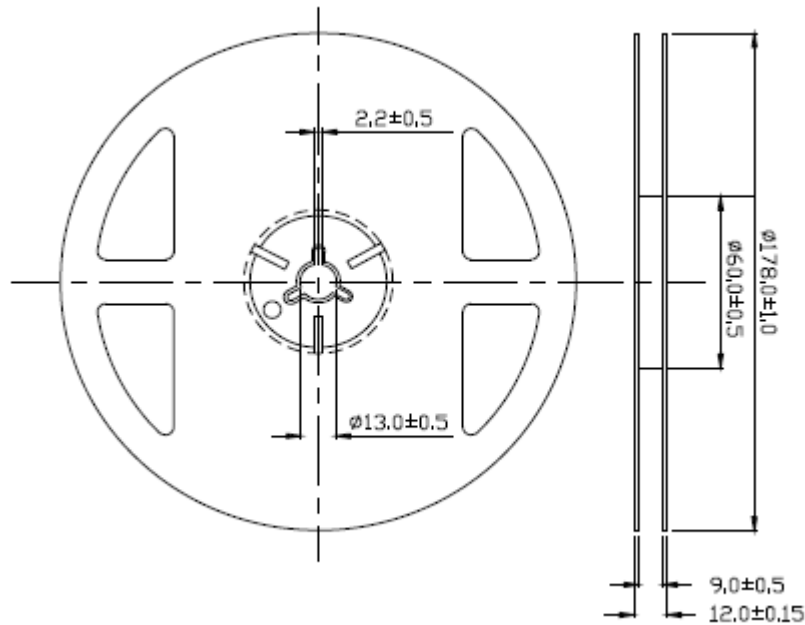
### Moisture Resistant Packaging



# Top View with Yellowish Green LED

## TSRJ-FT3227-R1S2

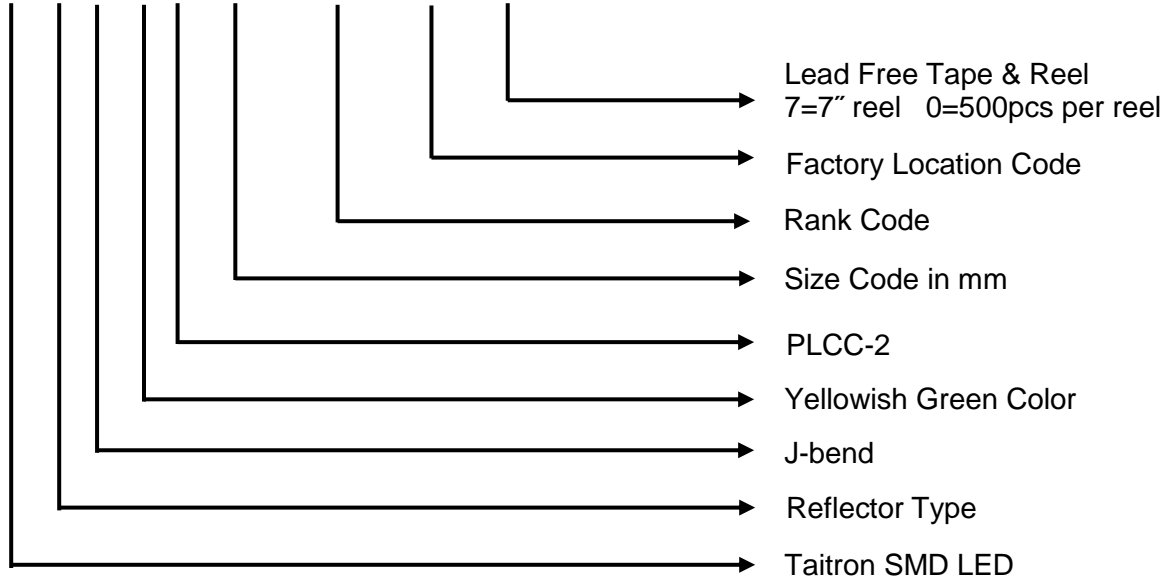
### Reel Dimensions (Unit=mm):



**Note:** The tolerances unless mentioned is  $\pm 0.1$ mm.

### Ordering Information

**TS R J-F T 3227 R1S2-92-TR70**

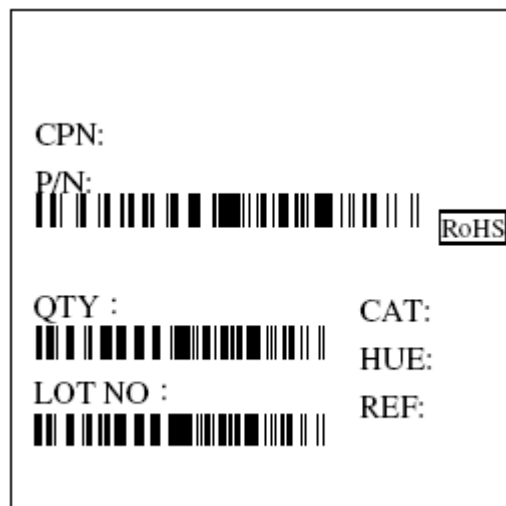


### Label Explanation

**CAT:** Luminous Intensity Rank

**HUE:** Dominant Wavelength Rank

**REF:** Forward Voltage Rank





### Rank Combinations

#### Bin Range of Dominant Wavelength

Group	Bin Code	Min	Max	Unit	Condition
B	C15	567.5	569.5	nm	IF=20mA
	C16	569.5	571.5		
	C17	571.5	573.5		
	C18	573.5	575.5		

#### Bin Range of Luminous Intensity

Bin Code	Min	Max	Unit	Condition
R1	112	140	mcd	IF=20mA
R2	140	180		
S1	180	225		
S2	225	285		

#### Bin Range of Forward Voltage

Group	Bin Code	Min	Max	Unit	Condition
B	0	1.75	1.95	V	IF=20mA
	1	1.95	2.15		
	2	2.15	2.35		

**Notes:** Tolerance of Luminous Intensity:  $\pm 10\%$

Tolerance of Dominant wavelength:  $\pm 1.0\text{nm}$

Tolerance of Forward Voltage:  $\pm 0.1\text{V}$

### How to contact us

#### **USA HEADQUARTERS**

28040 WEST HARRISON PARKWAY, VALENCIA, CA 91355-4162

Tel: (800)-TAITRON (800)-824-8766 (661)-257-6060

Fax: (800)-TAITFAX (800)-824-8329 (661)-257-6415

Email: [taitron@taitroncomponents.com](mailto:taitron@taitroncomponents.com)

Http://[www.taitroncomponents.com](http://www.taitroncomponents.com)

#### **TAITRON COMPONENTS INCORPORATED TAIWAN BRANCH**

6F., NO.190, SEC. 2, ZHONGXING RD., XINDIAN DIST., NEW TAIPEI CITY 23146, TAIWAN R.O.C.

Tel: 886-2-2913-6238

Fax: 886-2-2913-6239

#### **TAITRON COMPONENT TECHNOLOG SHANGHAI CORPORATION**

SUITE 1503, METROBANK PLAZA, 1160 WEST YAN'AN ROAD, SHANGHAI, 200052, CHINA

Tel: +86-21-5424-9942

Fax: +86-21-2302-5027