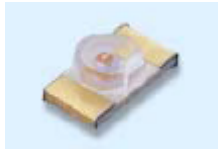


1206 Reverse Package Super Blue LED

Features

- Package in 8mm tape on 7” diameter reel
- Compatible with automatic placement equipment
- Compatible with infrared and vapor phase reflow solder process
- Mono-color type
- RoHS



M3216



Descriptions

- The SMD series enable smaller board size, higher packing density, reduced storage space, and finally small equipment to be obtained.
- Besides, light weight makes them ideal for miniature applications, etc.

Applications

- Automotive: backlighting in dashboards and switches.
- Telecommunication: Indicator and backlighting in the telephone and fax.
- Flat backlight for LCD, switch and symbol.
- General use.
- Indoor signboard use.

Device Selection Guide

Part No.	Chip		Lens Color
	Material	Emitted Color	
TSP3-BF3216-N1P2	InGaN	Super Blue	Water Clear

1206 Reverse Package Super Blue LED

TSP3-BF3216-N1P2

Absolute Maximum Ratings (Ta=25°C)

Parameter	Symbol	Rating	Unit
Reverse Voltage	VR	5	V
Forward Current	IF	25	mA
Peak Forward Current (Duty 1/10 @1KHz)	IFP	100	mA
Power Dissipation	Pd	110	mW
Electrostatic Discharge	ESD	150	V
Operating Temperature	Topr	-40 ~ +85	°C
Storage Temperature	Tstg	-40 ~ +90	°C
Soldering Temperature	Tsol	260 (for 5 seconds)	°C

Electro-Optical Characteristics (Ta=25°C)

Parameter	Symbol	Min.	Typ.	Max.	Unit	Condition
Luminous Intensity	Iv	28.5	-----	72.0	mcd	IF=20mA
Viewing Angle	2θ1/2	-----	130	-----	deg	
Peak Wavelength	λp	-----	468.0	-----	nm	
Dominant Wavelength	λd	464.5	-----	476.5	nm	
Spectrum Radiation Bandwidth	Δλ	-----	25	-----	nm	
Forward Voltage	VF	-----	3.5	4.0	V	
Reverse Current	IR	-----	-----	50	uA	VR=5V

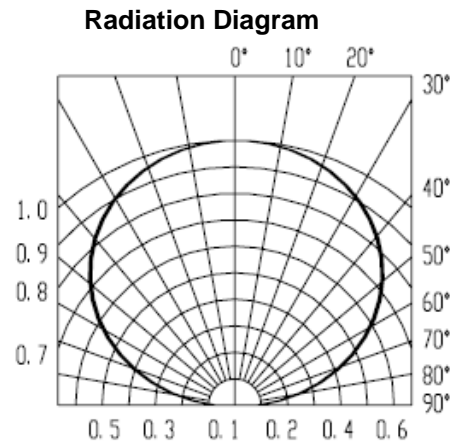
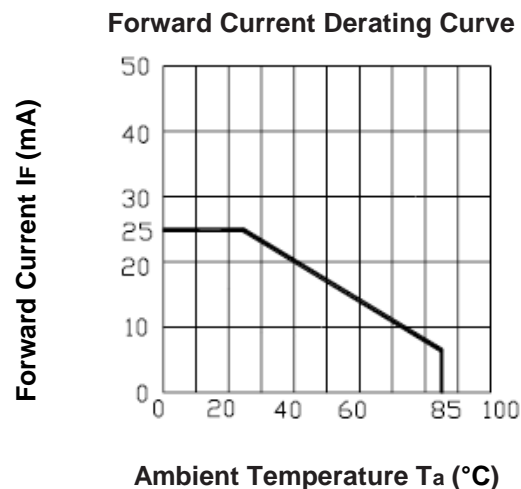
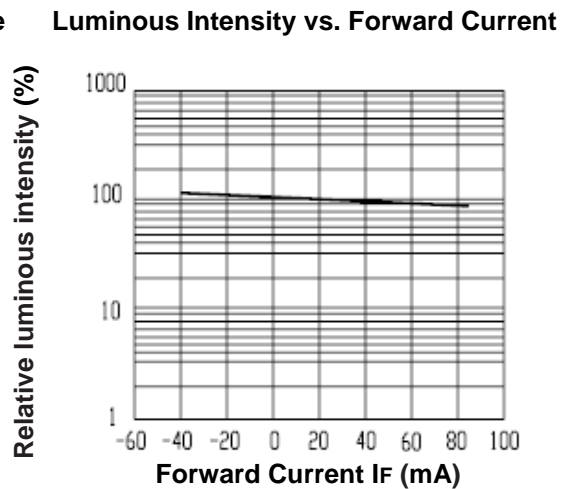
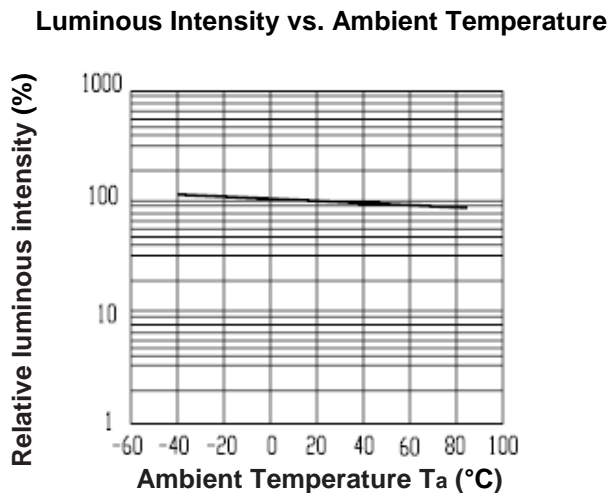
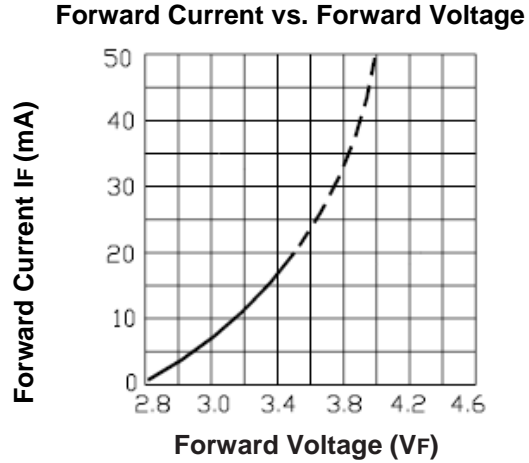
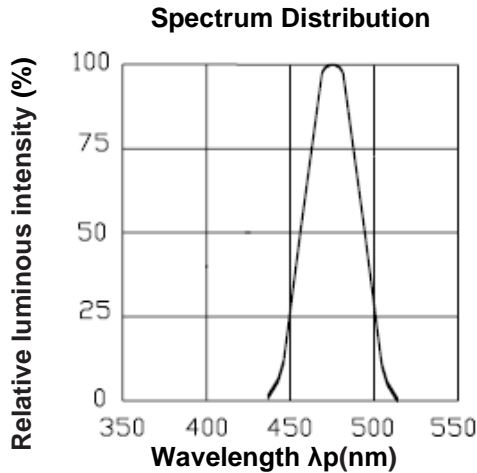
Notes: Tolerance of Luminous Intensity: ±10%

Tolerance of Dominant wavelength: ±1.0nm

1206 Reverse Package Super Blue LED

TSP3-BF3216-N1P2

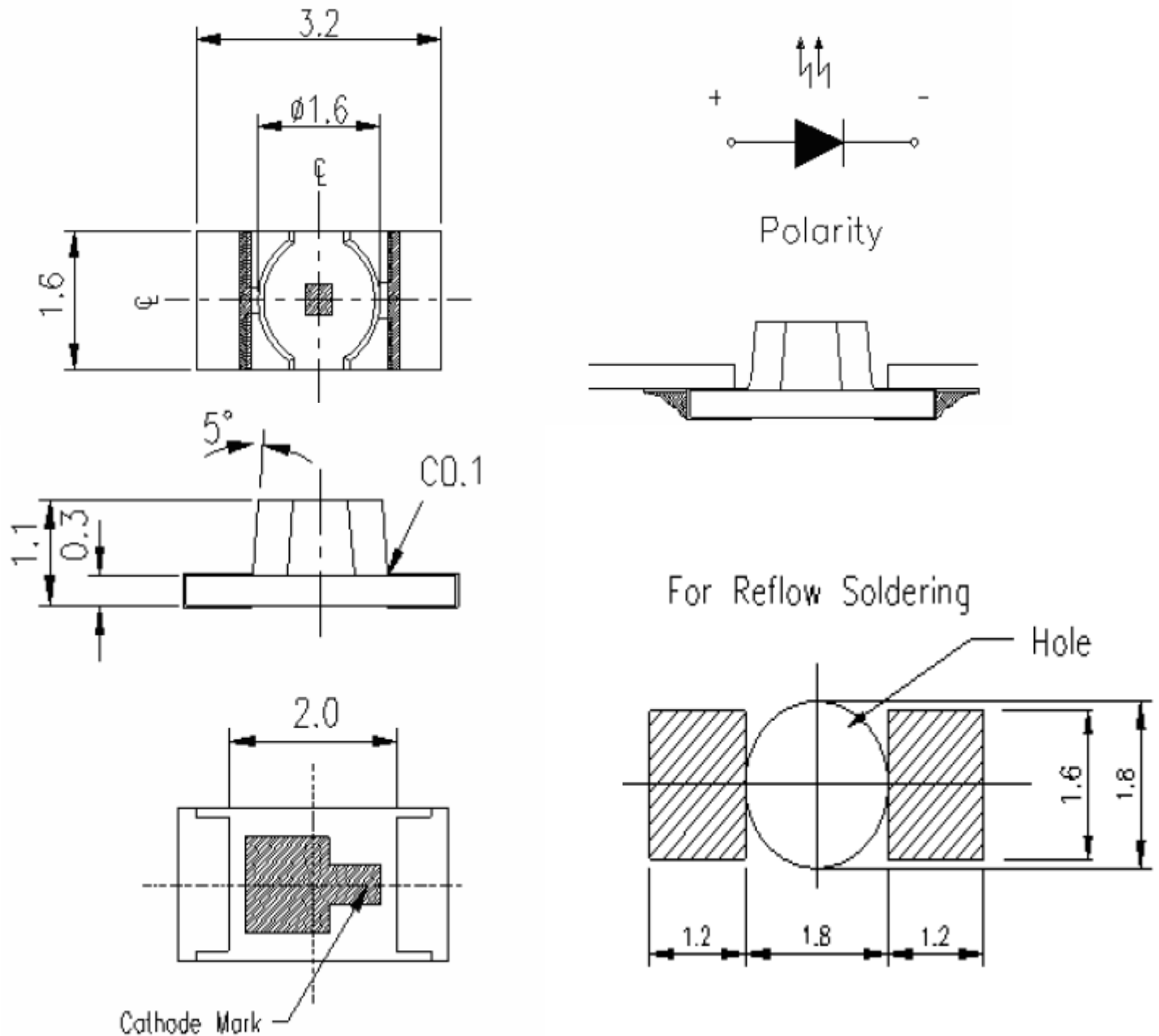
Typical Electro-Optical Characteristics Curves (Ta=25°C)



1206 Reverse Package Super Blue LED

TSP3-BF3216-N1P2

Package Outline Dimensions (Unit=mm)

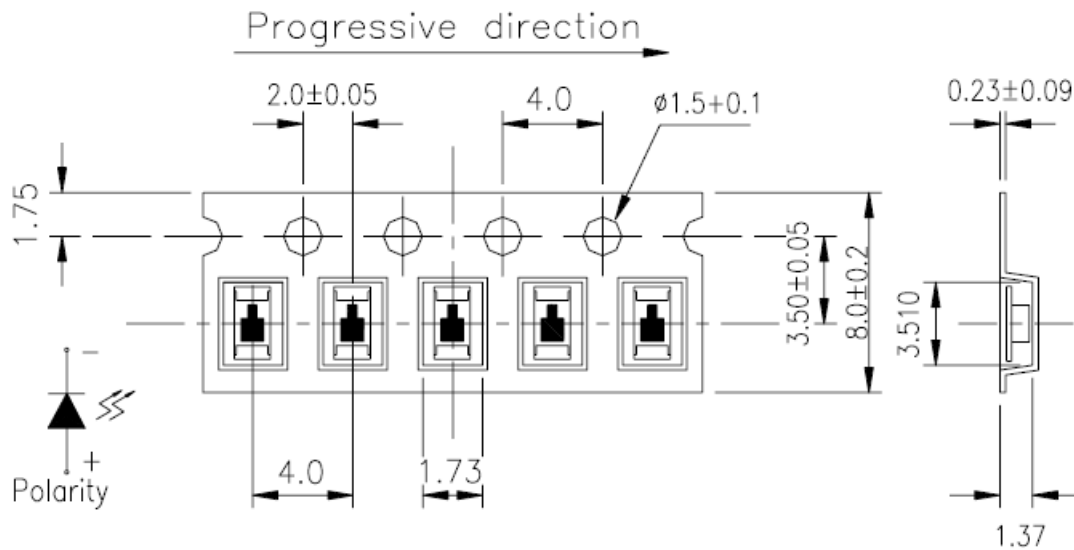


Note: The tolerances unless mentioned is ± 0.1 mm, Angle is $\pm 0.5^\circ$, Unit = mm

1206 Reverse Package Super Blue LED

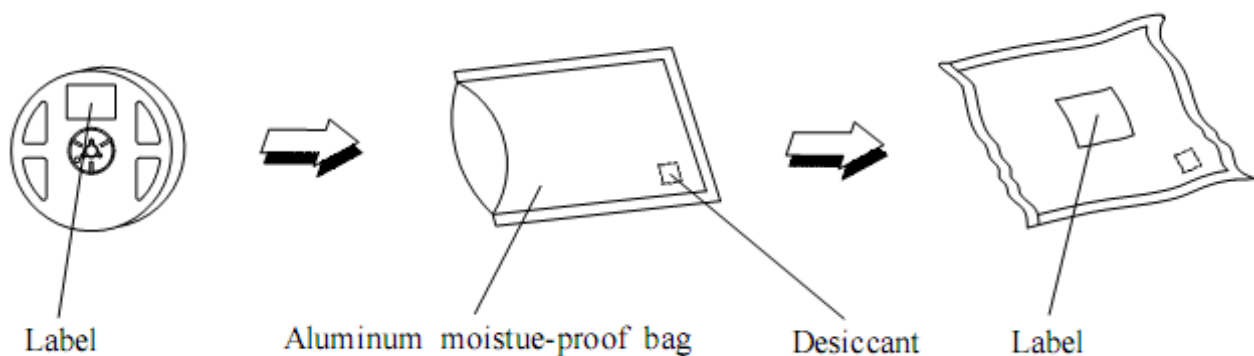
TSP3-BF3216-N1P2

Carrier Tape Dimensions (Unit=mm): Loaded quantity 2000pcs per reel



Note: The tolerances unless mentioned is ± 0.1 mm, Unit = mm

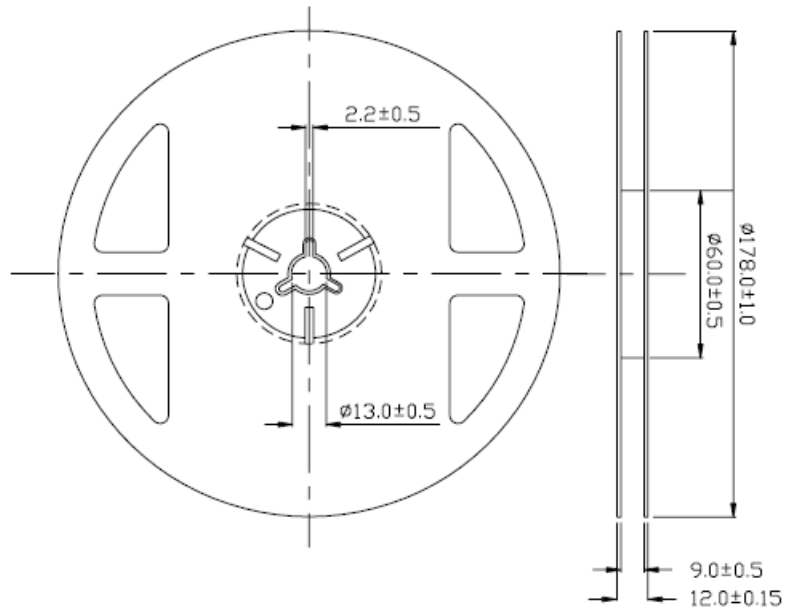
Moisture Resistant Packaging



1206 Reverse Package Super Blue LED

TSP3-BF3216-N1P2

Reel Dimensions (Unit=mm):

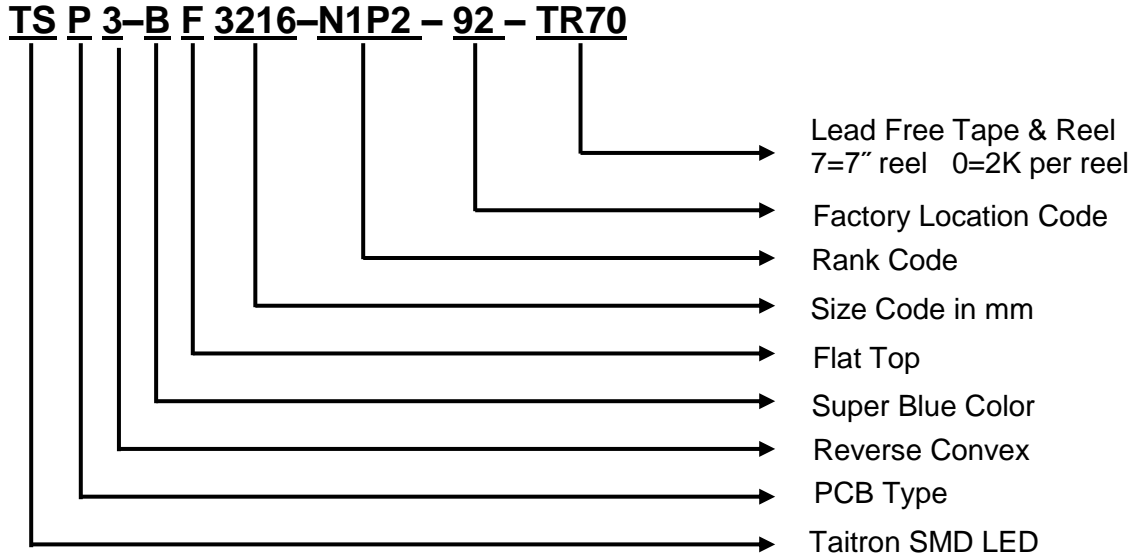


Note: The tolerances unless mentioned is ± 0.1 mm.

1206 Reverse Package Super Blue LED

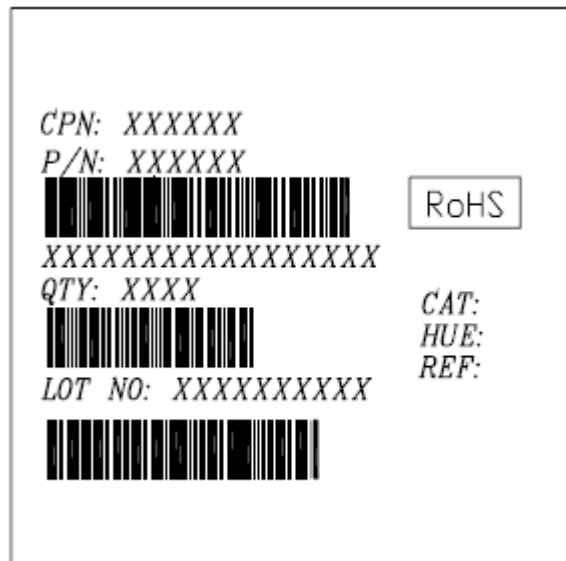
TSP3-BF3216-N1P2

Ordering Information



Label Explanation

- CAT:** Luminous Intensity Rank
- HUE:** Dominant Wavelength Rank
- REF:** Forward Voltage Rank



1206 Reverse Package Super Blue LED

TSP3-BF3216-N1P2

Rank Combination

Bin Range of Dominant Wavelength

Group	Bin Code	Min	Max	Unit	Condition
A	A9	464.5	467.5	nm	IF=20mA
	A10	467.5	470.5		
	A11	470.5	473.5		
	A12	473.5	476.5		

Bin Range of Luminous Intensity

Bin Code	Min	Max	Unit	Condition
N1	28.5	36.0	mcd	IF=20mA
N2	36.0	45.0		
P1	45.0	57.0		
P2	57.0	72.0		

Notes: Tolerance of Luminous Intensity: $\pm 10\%$

Tolerance of Dominant wavelength: $\pm 1.0\text{nm}$

1206 Reverse Package Super Blue LED

TSP3-BF3216-N1P2

How to contact us

USA HEADQUARTERS

28040 WEST HARRISON PARKWAY, VALENCIA, CA 91355-4162

Tel: (800)-TAITRON (800)-824-8766 (661)-257-6060

Fax: (800)-TAITFAX (800)-824-8329 (661)-257-6415

Email: taitron@taitroncomponents.com

Http://www.taitroncomponents.com

TAITRON COMPONENTS INCORPORATED TAIWAN BRANCH

6F., NO.190, SEC. 2, ZHONGXING RD., XINDIAN DIST., NEW TAIPEI CITY 23146, TAIWAN R.O.C.

Tel: 886-2-2913-6238

Fax: 886-2-2913-6239

TAITRON COMPONENT TECHNOLOG SHANGHAI CORPORATION

SUITE 1503, METROBANK PLAZA, 1160 WEST YAN'AN ROAD, SHANGHAI, 200052, CHINA

Tel: +86-21-5424-9942

Fax: +86-21-2302-5027