

## 1206 Package Super Red Flat Top LED

### Features

- Package in 8mm tape on 7" diameter reel
- Compatible with automatic placement equipment
- Compatible with infrared and vapor phase reflow solder process
- Mono-color type
- RoHS compliance



**M3215**



### Descriptions

- This SMD series is much smaller than lead frame type components, thus enables smaller board size, higher packing density, reduced storage space, and small equipment.
- Besides, light weight makes them ideal for miniature applications, etc.

### Applications

- Backlighting in dashboard and switch.
- Telecommunication: indicator and backlighting in telephone and fax.
- Flat backlight for LCD, switches and symbols.
- General use.

### Device Selection Guide

Part No.	Chip		Lens Color
	Material	Emitted Color	
TSP2-QF3215A3	AlInGaP	Super Red	Water Clear

# 1206 Package 1.0mm Height Super Red Flat Top LED

## TSP2-QF3215A3

### Absolute Maximum Ratings ( $T_a=25^{\circ}\text{C}$ )

Parameter	Symbol	Value	Unit
Reverse Voltage	<b>V<sub>R</sub></b>	5	V
Forward Current	<b>I<sub>F</sub></b>	25	mA
Peak Forward Current (Duty 1/10 @1KHz)	<b>I<sub>FP</sub></b>	60	mA
Power Dissipation	<b>P<sub>d</sub></b>	60	mW
Electrostatic Discharge (HBM)	<b>ESD</b>	2000	V
Operating Temperature	<b>T<sub>opr</sub></b>	-40 ~ +85	°C
Storage Temperature	<b>T<sub>stg</sub></b>	-40 ~ +90	°C
Soldering Temperature	<b>T<sub>sol</sub></b>	Reflow Soldering: 260 °C for 10 seconds Hand Soldering: 350 °C for 3 seconds	

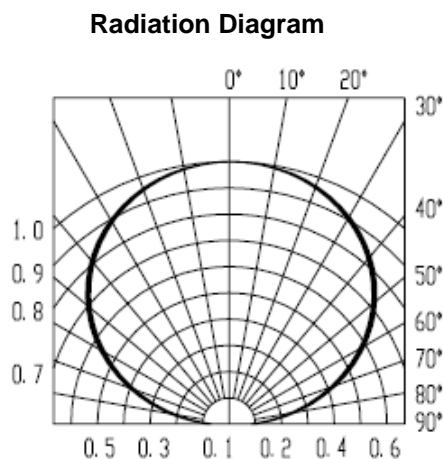
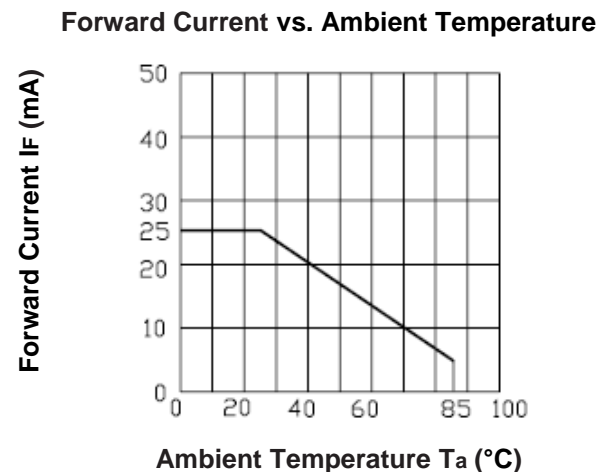
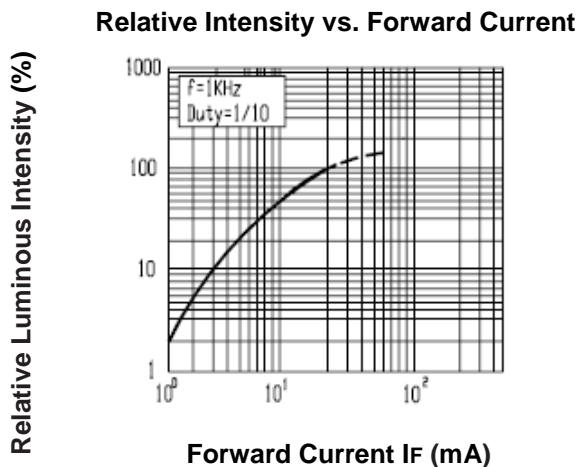
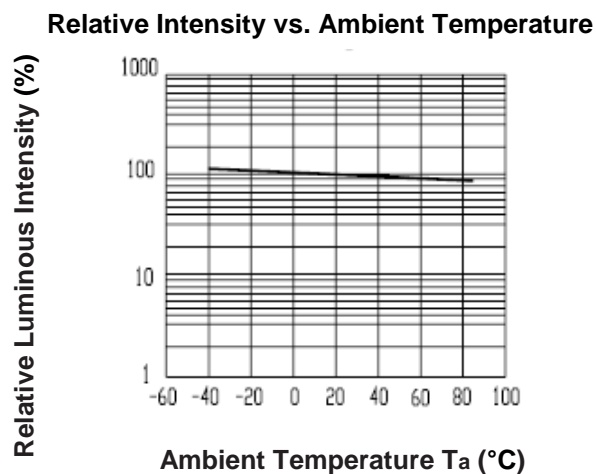
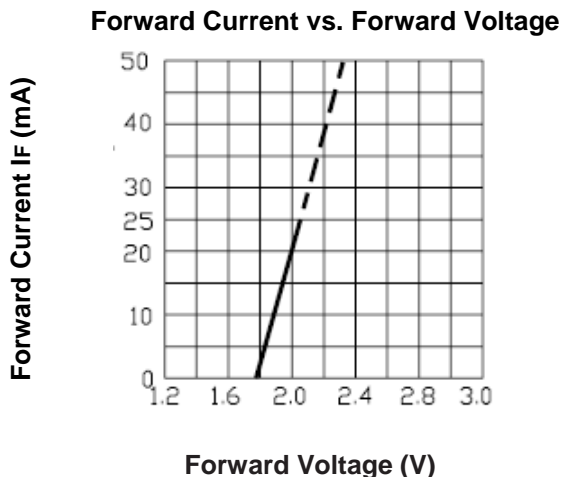
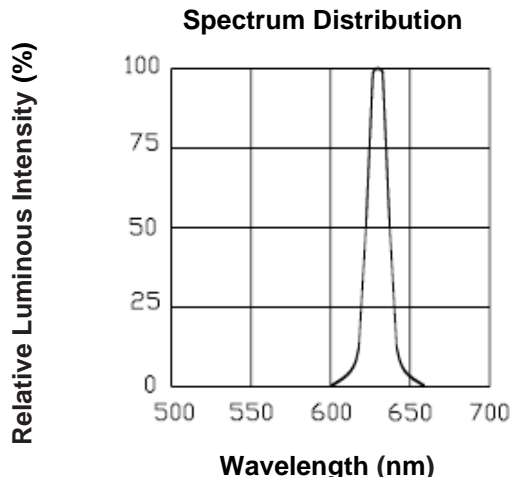
### Electro-Optical Characteristics ( $T_a=25^{\circ}\text{C}$ )

Parameter	Symbol	Min.	Typ.	Max.	Unit	Condition
Luminous Intensity	<b>I<sub>v</sub></b>	36	54	-----	mcd	I <sub>F</sub> =20mA
Viewing Angle	<b>2θ<sub>1/2</sub></b>	-----	130	-----	deg	
Peak Wavelength	<b>λ<sub>p</sub></b>	-----	632	-----	nm	
Dominant wavelength	<b>λ<sub>d</sub></b>	-----	624	-----	nm	
Spectrum Radiation Bandwidth	<b>Δ λ</b>	-----	20	-----	nm	
Forward Voltage	<b>V<sub>F</sub></b>	1.7	2.0	2.4	V	
Reverse Current	<b>I<sub>R</sub></b>	-----	-----	10	μA	V <sub>R</sub> =5V

#### Notes:

1. Tolerance of Luminous Intensity  $\pm 10\%$
2. Tolerance of Dominant wavelength  $\pm 1.0\text{nm}$
3. Tolerance of Forward Voltage:  $\pm 0.1\text{V}$

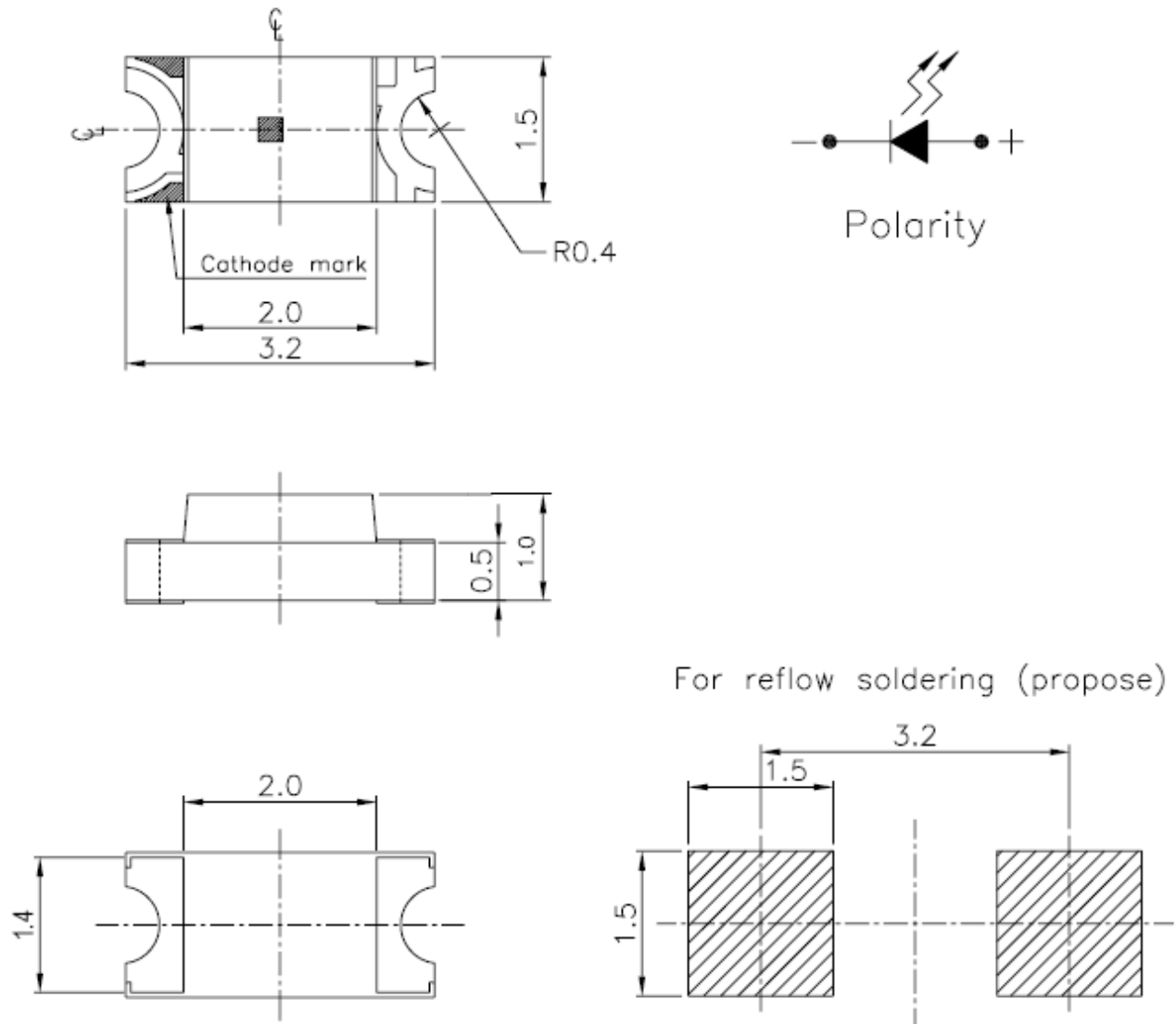
### Typical Electro-Optical Characteristics Curves (Ta=25°C)



# 1206 Package 1.0mm Height Super Red Flat Top LED

TSP2-QF3215A3

## Package Dimensions (Unit=mm)

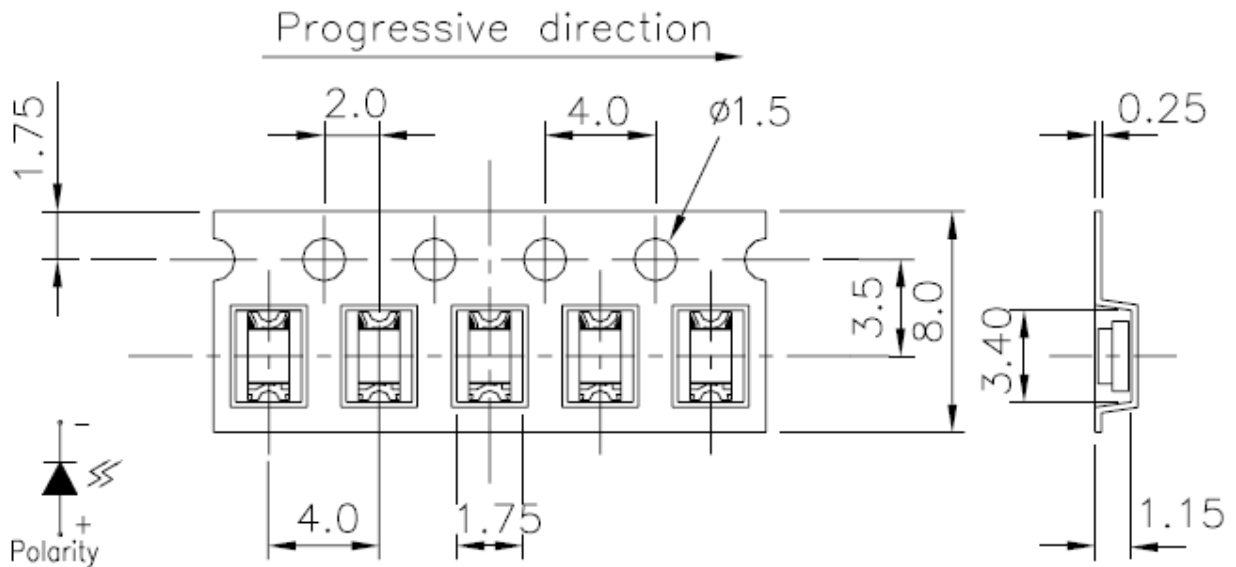


**Note:** The tolerances unless mentioned is  $\pm 0.1$ mm, Unit = mm

# 1206 Package 1.0mm Height Super Red Flat Top LED

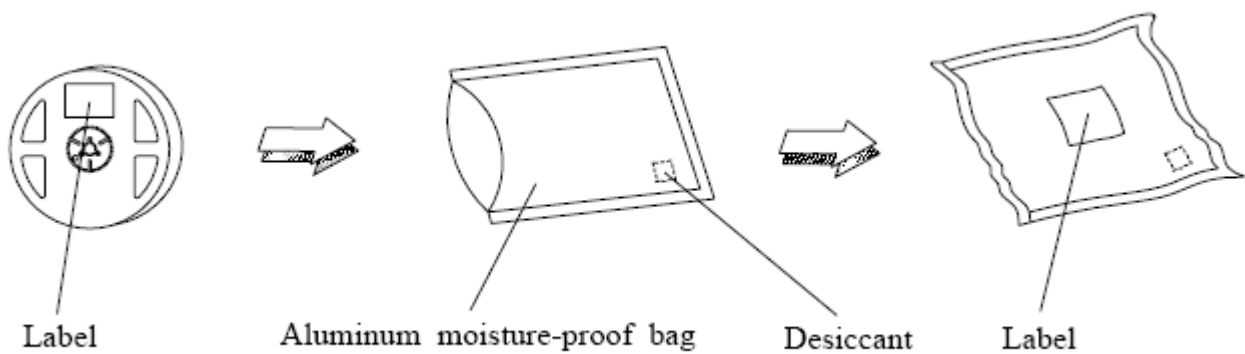
## TSP2-QF3215A3

**Carrier Tape Dimensions (Unit=mm): Loaded quantity 2000pcs per reel**



**Note:** The tolerances unless mentioned is  $\pm 0.1$ mm.

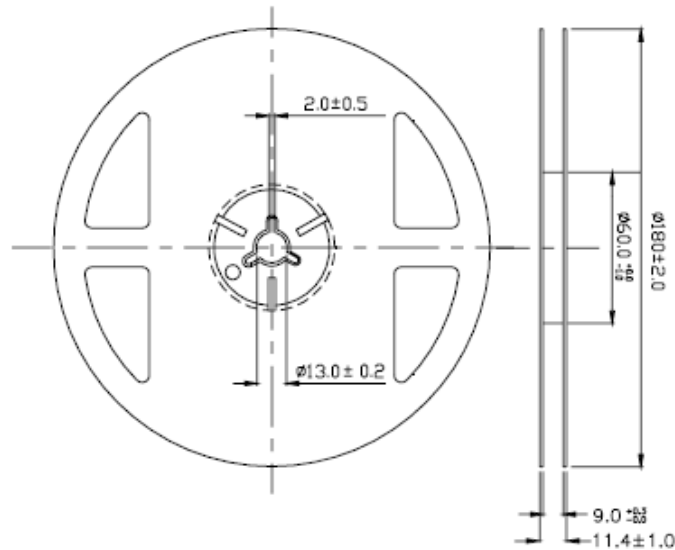
### Moisture Resistant Packaging



# 1206 Package 1.0mm Height Super Red Flat Top LED

TSP2-QF3215A3

## Reel Dimensions (Unit=mm)



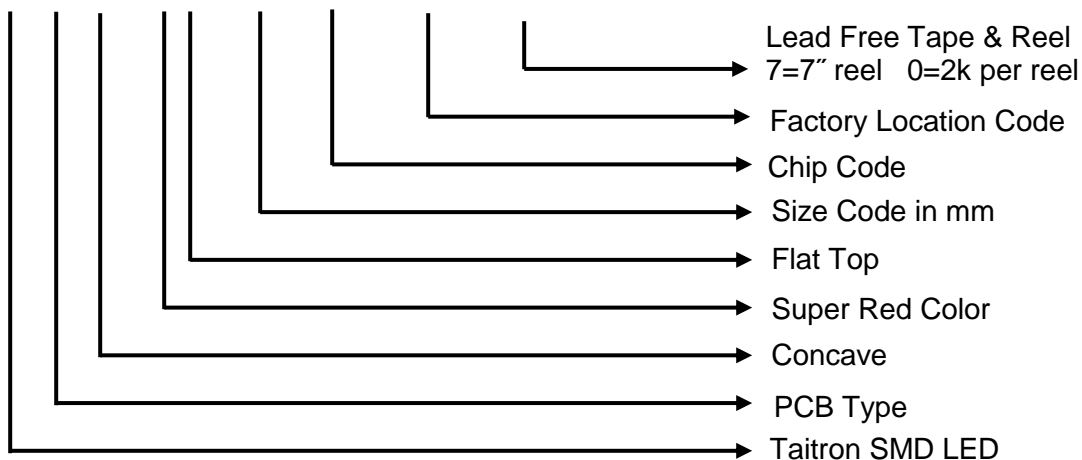
**Note:** The tolerances unless mentioned is  $\pm 0.1$ mm.

# 1206 Package 1.0mm Height Super Red Flat Top LED

## TSP2-QF3215A3

### Ordering Information

TSP2-QF3215A3-92-TR70

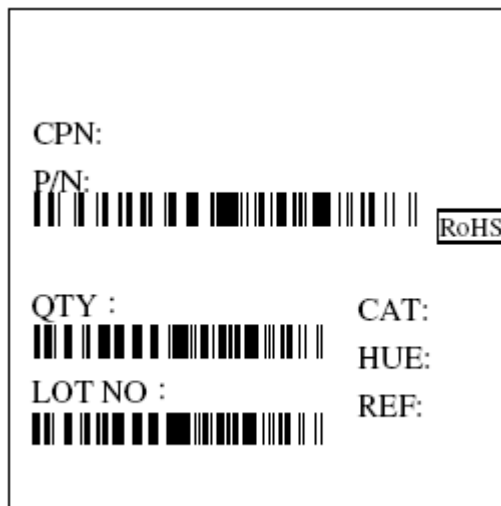


### Label Explanation

CAT: Luminous Intensity Rank

HUE: Dominant Wavelength Rank

REF: Forward Voltage Rank



### How to contact us

#### **USA HEADQUARTERS**

28040 WEST HARRISON PARKWAY, VALENCIA, CA 91355-4162

Tel: (800)-TAITRON (800)-824-8766 (661)-257-6060

Fax: (800)-TAITFAX (800)-824-8329 (661)-257-6415

Email: [taitron@taitroncomponents.com](mailto:taitron@taitroncomponents.com)

Http://[www.taitroncomponents.com](http://www.taitroncomponents.com)

#### **TAITRON COMPONENTS INCORPORATED TAIWAN BRANCH**

6F., NO.190, SEC. 2, ZHONGXING RD., XINDIAN DIST., NEW TAIPEI CITY 23146, TAIWAN R.O.C.

Tel: 886-2-2913-6238

Fax: 886-2-2913-6239

#### **TAITRON COMPONENT TECHNOLOG SHANGHAI CORPORATION**

SUITE 1503, METROBANK PLAZA, 1160 WEST YAN'AN ROAD, SHANGHAI, 200052, CHINA

Tel: +86-21-5424-9942

Fax: +86-21-2302-5027