

1.9mm Round Subminiature Super Yellow LED

Features

- Package in 12mm tape on 7" diameter reels
- Compatible with automatic placement equipment
- EIA standard package
- Mono-color type
- RoHS



M2520



Descriptions

- The SMD series enable smaller board size, higher packing density, reduced storage space, and small equipment.
- Besides, light weight makes them ideal for miniature applications.
- Furthermore by automation assembly machines the accuracy is anticipated.

Applications

- Small indicator for indoor applications.
- Flat backlighting for LCD, switches and symbols.
- Indicator and backlighting in office equipment.
- Indicator and backlighting for battery driven equipment.
- Indicator and backlighting for audio and video equipment.
- Automotive: backlighting in dashboards and switches.
- Telecommunication: Indicator and backlighting in the telephone and fax.

Device Selection Guide

Part No.	Chip		Lens Color
	Material	Emitted Color	
TSLZ-XR2520A3	AllnGaP	Super Yellow	Water Clear

1.9mm Round Subminiature Super Yellow LED

TSLZ-XR2520A3

Absolute Maximum Ratings (Ta=25°C)

Parameter	Symbol	Rating	Unit
Reverse Voltage	VR	5	V
Forward Current	IF	25	mA
Peak Forward Current (Duty 1/10 @1KHz)	IFP	60	mA
Power Dissipation	Pd	60	mW
Electrostatic Discharge	ESD	2000	V
Operating Temperature	Topr	-40 ~ +85	°C
Storage Temperature	Tstg	-40 ~ +100	°C
Soldering Temperature	Tsol	260 °C for 5 sec.	°C

Electro-Optical Characteristics (Ta=25°C)

Parameter	Symbol	Min.	Typ.	Max.	Unit	Condition
Luminous Intensity	Iv	-----	43	-----	mcd	IF=2mA
		463	714	-----	mcd	IF=20mA
Viewing Angle	2θ1/2	-----	25	-----	deg	
Peak Wavelength	λp	-----	591	-----	nm	
Dominant Wavelength	λd	-----	589	-----	nm	
Spectrum Radiation Bandwidth	Δλ	-----	15	-----	nm	
Forward Voltage	VF	-----	2.0	2.4	V	
Reverse Current	IR	-----	-----	10	uA	VR=5V

Notes: Tolerance of Luminous Intensity: ±10%

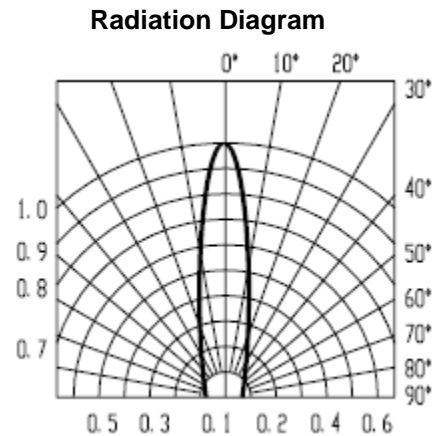
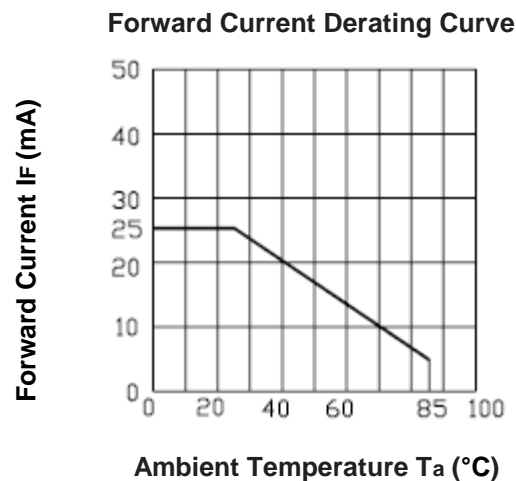
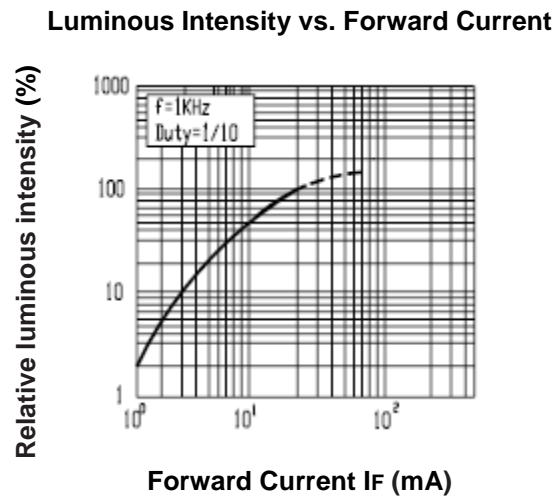
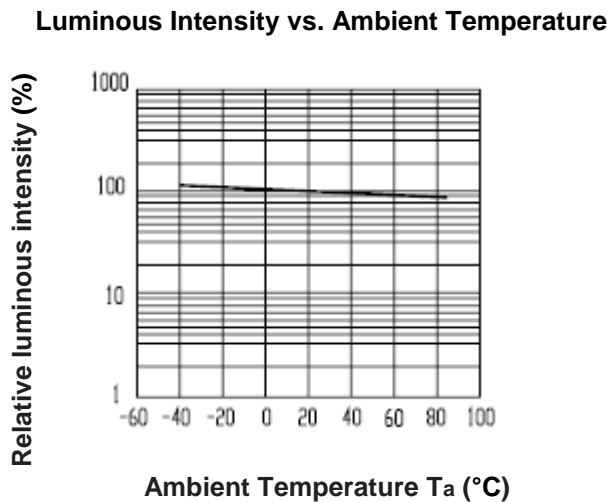
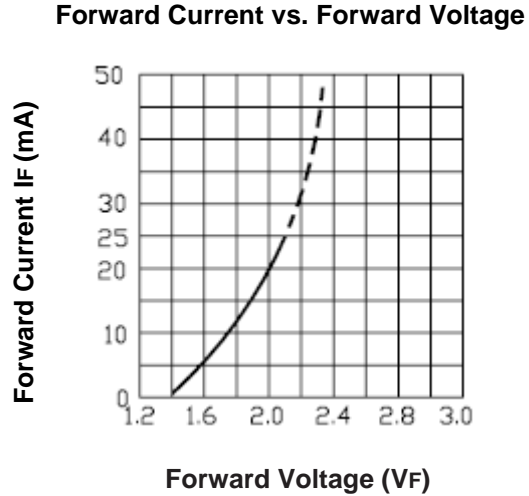
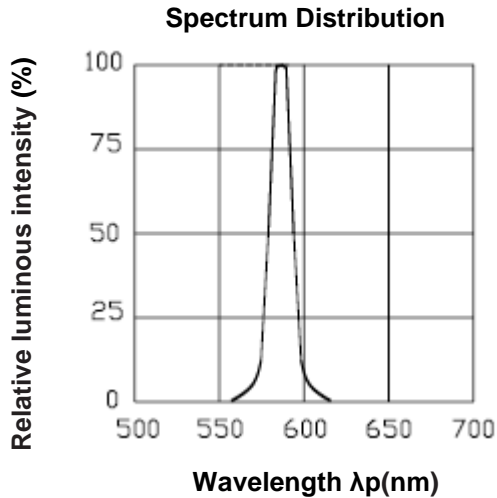
Tolerance of Dominant wavelength: ±1.0nm

Tolerance of Forward Voltage: ±0.1V

1.9mm Round Subminiature Super Yellow LED

TSLZ-XR2520A3

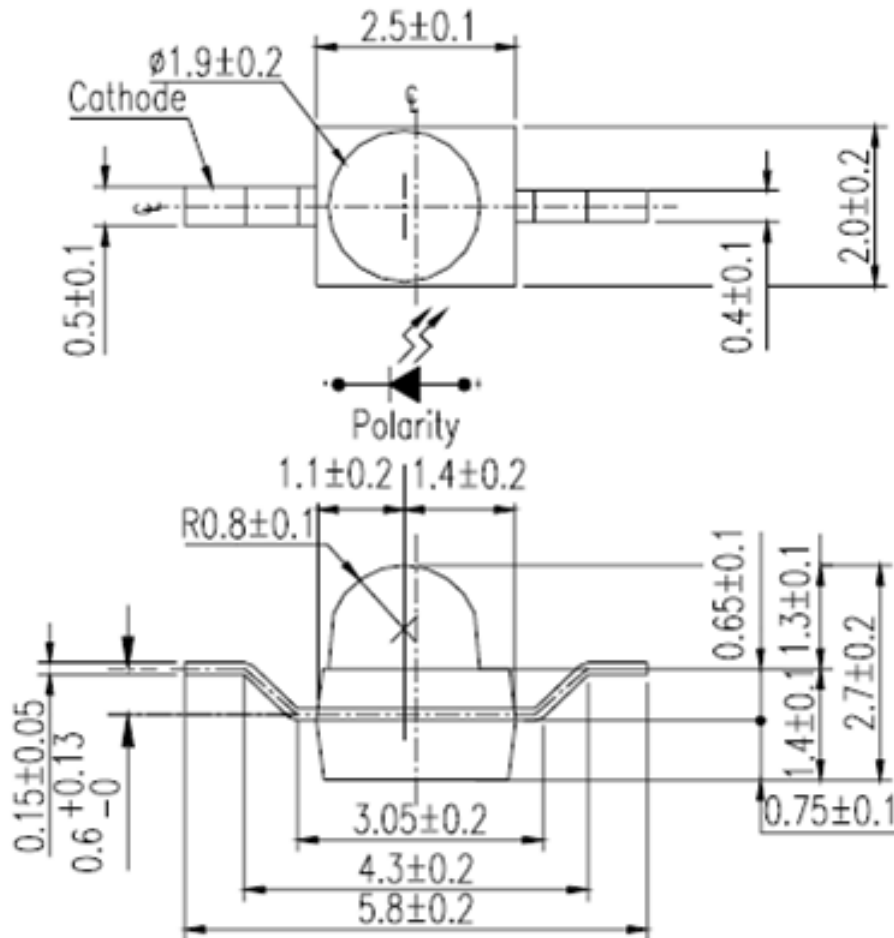
Typical Electro-Optical Characteristics Curves (Ta=25°C)



1.9mm Round Subminiature Super Yellow LED

TSLZ-XR2520A3

Package Outline Dimensions (Unit=mm)

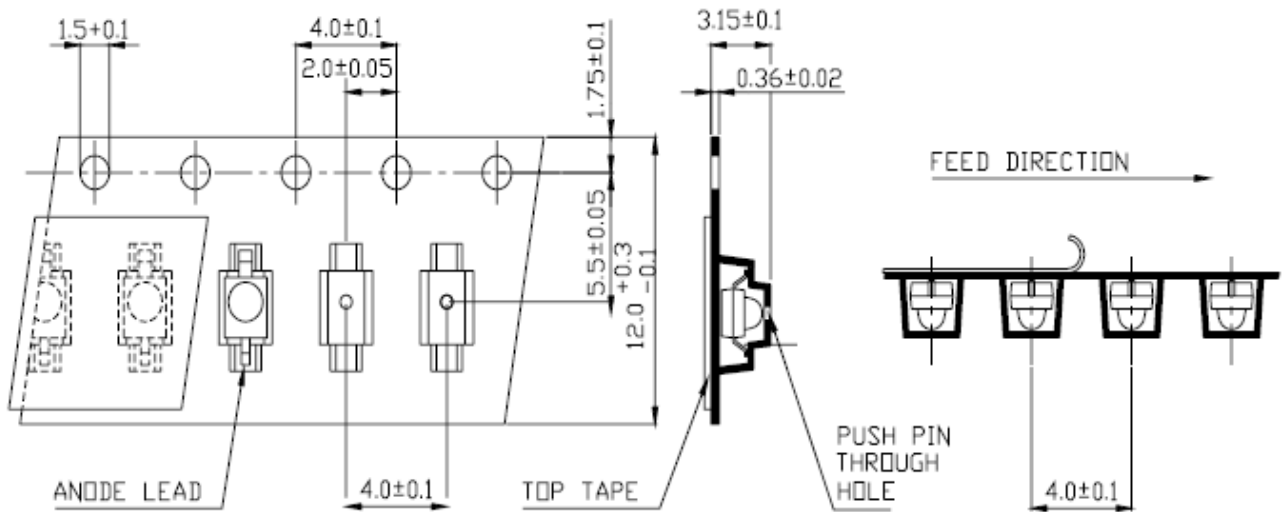


Note: The tolerances unless mentioned is ± 0.1 mm, Unit = mm

1.9mm Round Subminiature Super Yellow LED

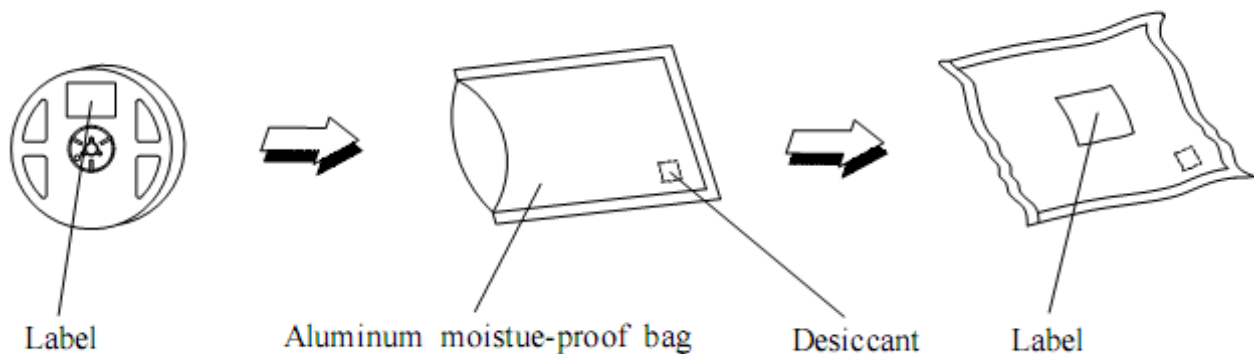
TSLZ-XR2520A3

Carrier Tape Dimensions (Unit=mm): Loaded quantity 1000pcs per reel



Note: The tolerances unless mentioned is ± 0.1 mm.

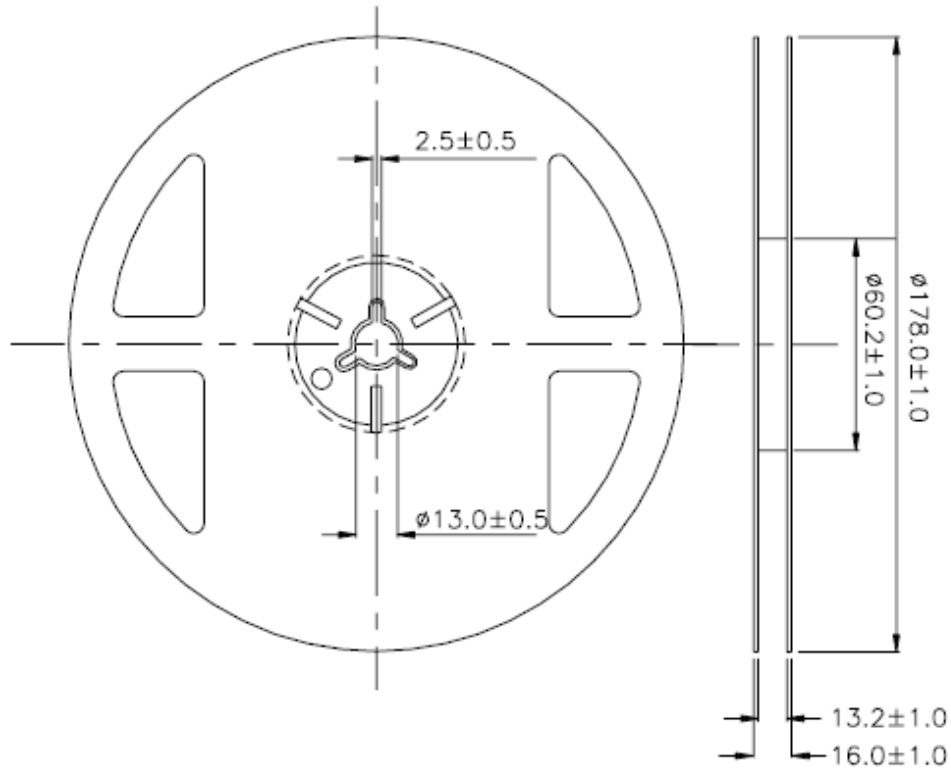
Moisture Resistant Packaging



1.9mm Round Subminiature Super Yellow LED

TSLZ-XR2520A3

Reel Dimensions (Unit=mm):

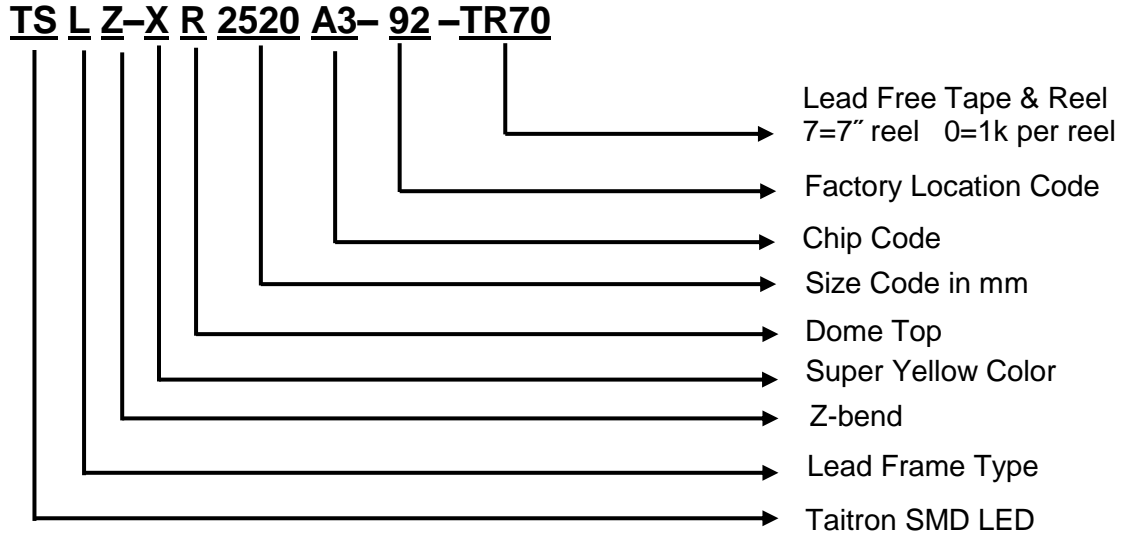


Note: The tolerances unless mentioned is ± 0.1 mm.

1.9mm Round Subminiature Super Yellow LED

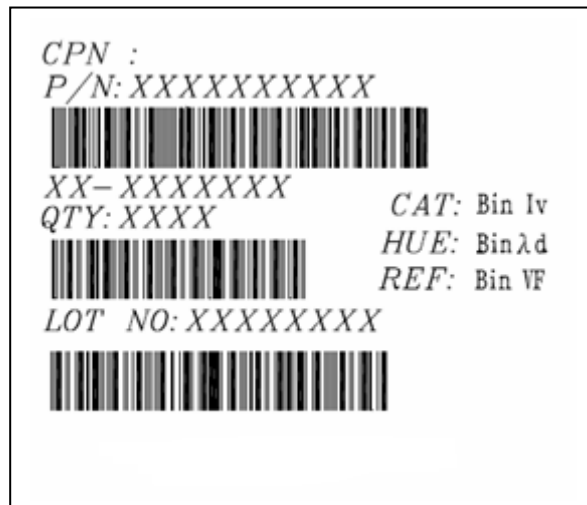
TSLZ-XR2520A3

Ordering Information



Label Explanation

- CAT:** Luminous Intensity Rank
- HUE:** Dominant Wavelength Rank
- REF:** Forward Voltage Rank



1.9mm Round Subminiature Super Yellow LED

TSLZ-XR2520A3

How to contact us

USA HEADQUARTERS

28040 WEST HARRISON PARKWAY, VALENCIA, CA 91355-4162

Tel: (800)-TAITRON (800)-824-8766 (661)-257-6060

Fax: (800)-TAITFAX (800)-824-8329 (661)-257-6415

Email: taitron@taitroncomponents.com

Http://www.taitroncomponents.com

TAITRON COMPONENTS INCORPORATED TAIWAN BRANCH

6F., NO.190, SEC. 2, ZHONGXING RD., XINDIAN DIST., NEW TAIPEI CITY 23146, TAIWAN R.O.C.

Tel: 886-2-2913-6238

Fax: 886-2-2913-6239

TAITRON COMPONENT TECHNOLOG SHANGHAI CORPORATION

SUITE 1503, METROBANK PLAZA, 1160 WEST YAN'AN ROAD, SHANGHAI, 200052, CHINA

Tel: +86-21-5424-9942

Fax: +86-21-2302-5027