

## 1.9mm Round Subminiature Yellow Orange LED

### Features

- Package in 12mm tape on 7" diameter reels
- Compatible with automatic placement equipment
- EIA standard package
- Mono-color type
- RoHS



**M2520**



### Descriptions

- The SMD series enable smaller board size, higher packing density, reduced storage space, and small equipment.
- Besides, light weight makes them ideal for miniature applications.
- Furthermore by automation assembly machines the accuracy is anticipated.

### Applications

- Small indicator for indoor applications.
- Flat backlighting for LCD, switches and symbols.
- Indicator and backlighting in office equipment.
- Indicator and backlighting for battery driven equipment.
- Indicator and backlighting for audio and video equipment.
- Automotive: backlighting in dashboards and switches.
- Telecommunication: Indicator and backlighting in the telephone and fax.

### Device Selection Guide

Part No.	Chip		Lens Color
	Material	Emitted Color	
TSLZ-NR2520A3	AllnGaP	Yellow Orange	Water Clear

# 1.9mm Round Subminiature Yellow Orange LED

## TSLZ-NR2520A3

### Absolute Maximum Ratings (Ta=25°C)

Parameter	Symbol	Rating	Unit
Reverse Voltage	VR	5	V
Forward Current	IF	25	mA
Peak Forward Current (Duty 1/10 @1KHz)	IFP	60	mA
Power Dissipation	Pd	60	mW
Electrostatic Discharge	ESD	2000	V
Operating Temperature	Topr	-40 ~ +85	°C
Storage Temperature	Tstg	-40 ~ +100	°C
Soldering Temperature	Tsol	260 °C for 5 sec.	°C

### Electro-Optical Characteristics (Ta=25°C)

Parameter	Symbol	Min.	Typ.	Max.	Unit	Condition
Luminous Intensity	Iv	-----	43	-----	mcd	IF=2mA
		463	714	-----	mcd	IF=20mA
Viewing Angle	2θ1/2	-----	25	-----	deg	
Peak Wavelength	λp	-----	611	-----	nm	
Dominant Wavelength	λd	-----	605	-----	nm	
Spectrum Radiation Bandwidth	Δλ	-----	17	-----	nm	
Forward Voltage	VF	-----	2.0	2.4	V	
Reverse Current	IR	-----	-----	10	uA	VR=5V

**Notes:** Tolerance of Luminous Intensity: ±10%

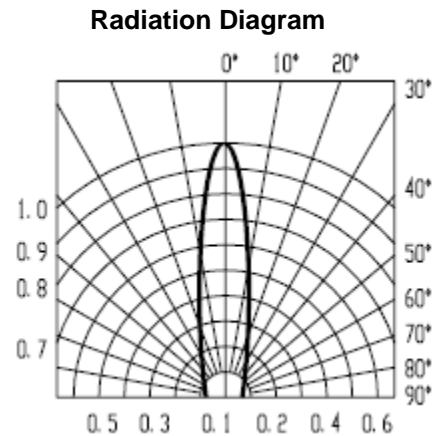
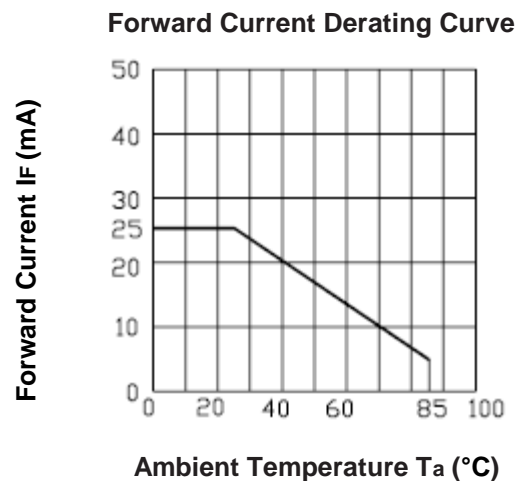
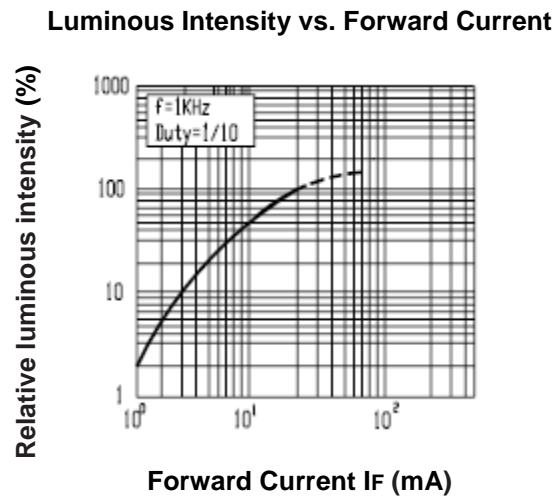
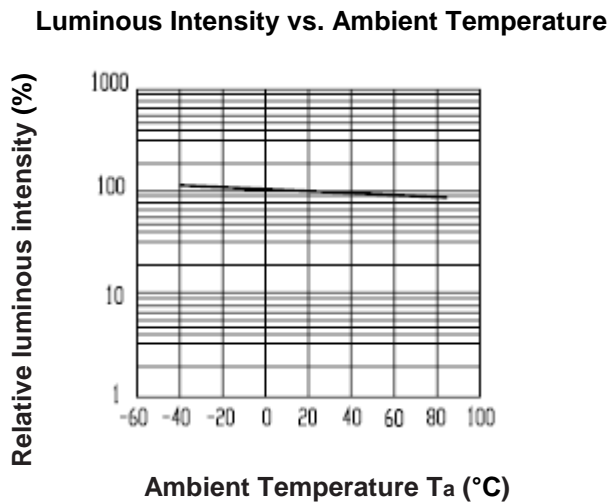
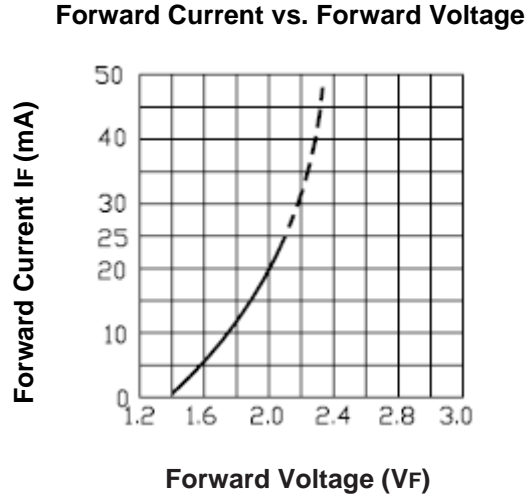
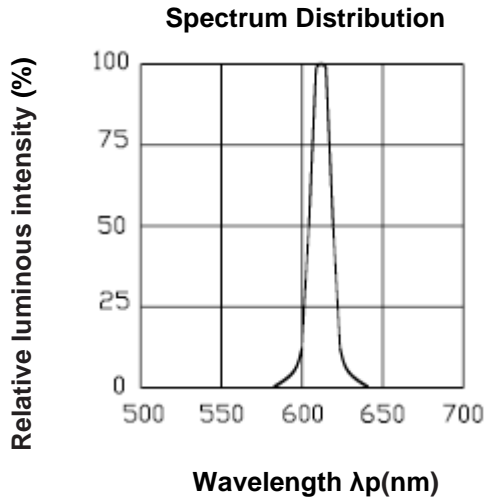
Tolerance of Dominant wavelength: ±1.0nm

Tolerance of Forward Voltage: ±0.1V

# 1.9mm Round Subminiature Yellow Orange LED

## TSLZ-NR2520A3

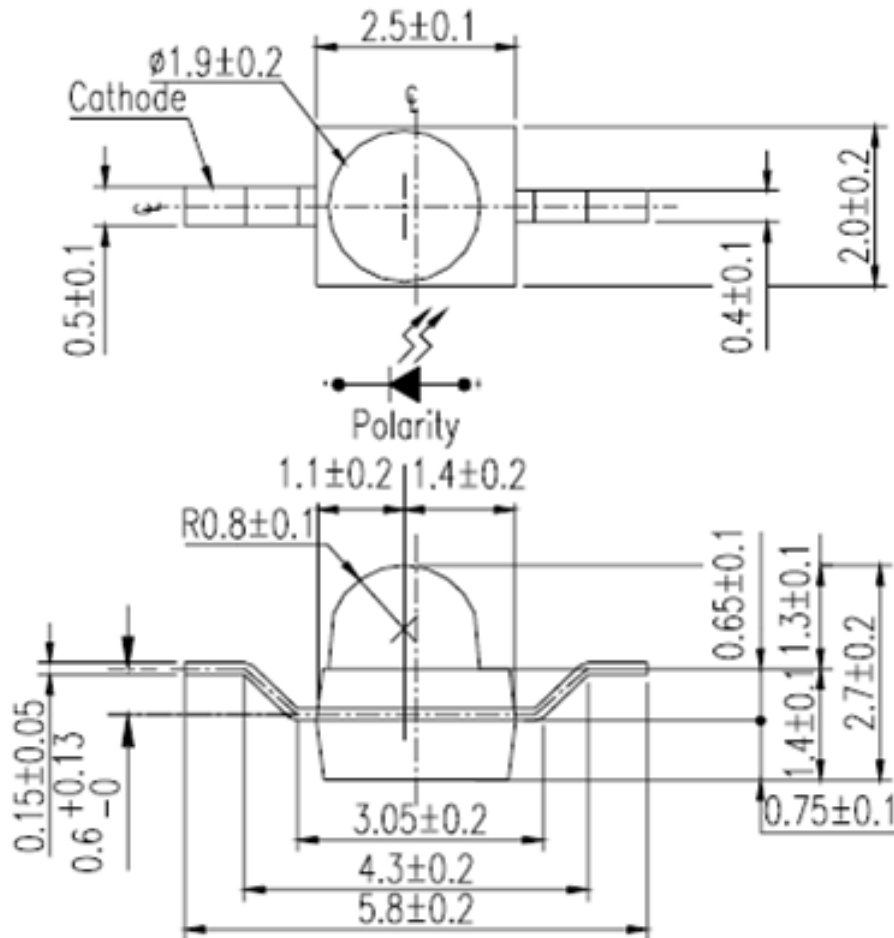
### Typical Electro-Optical Characteristics Curves ( $T_a=25^\circ\text{C}$ )



# 1.9mm Round Subminiature Yellow Orange LED

TSLZ-NR2520A3

## Package Outline Dimensions (Unit=mm)

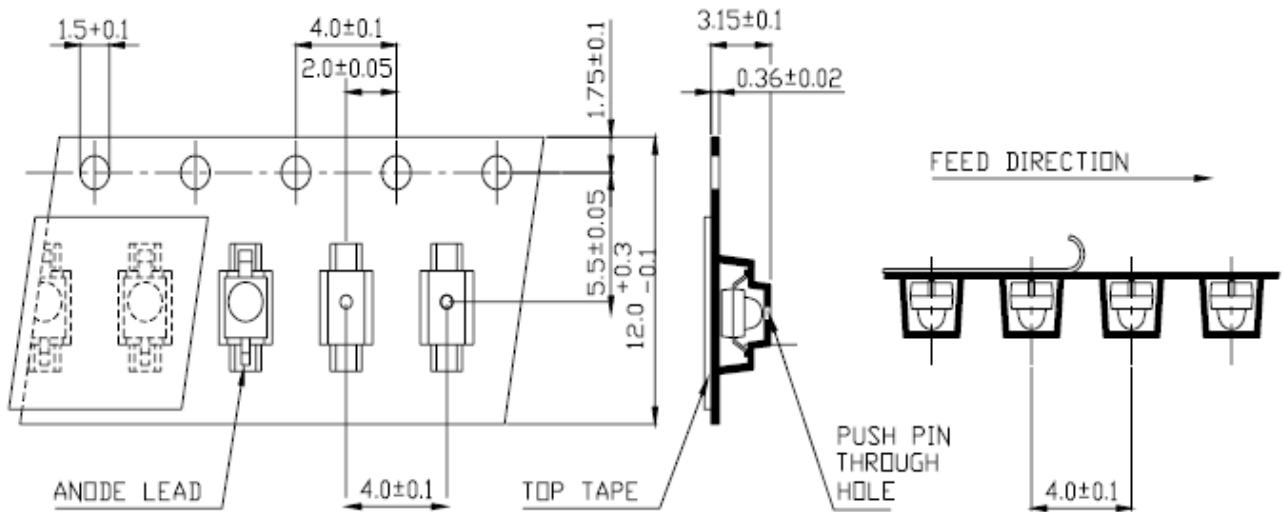


**Note:** The tolerances unless mentioned is  $\pm 0.1$ mm, Unit = mm

# 1.9mm Round Subminiature Yellow Orange LED

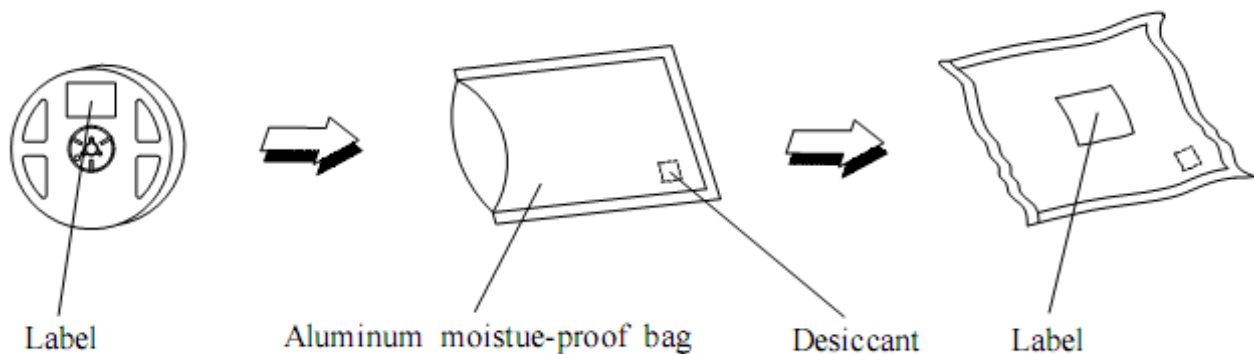
## TSLZ-NR2520A3

Carrier Tape Dimensions (Unit=mm): Loaded quantity 1000pcs per reel



**Note:** The tolerances unless mentioned is  $\pm 0.1$ mm.

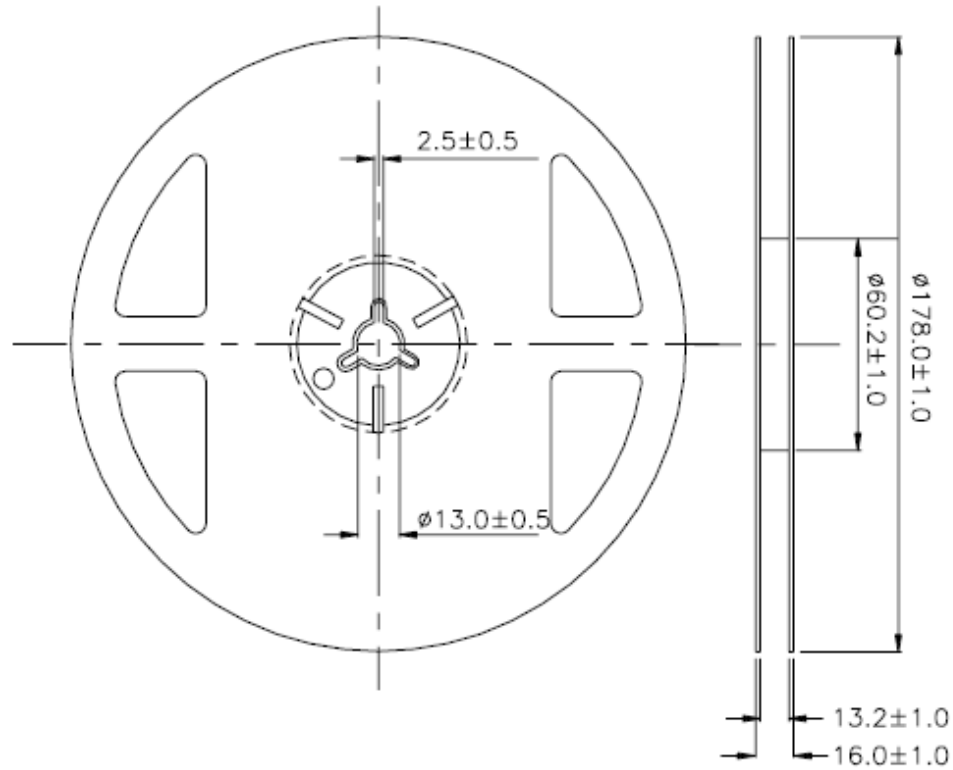
### Moisture Resistant Packaging



# 1.9mm Round Subminiature Yellow Orange LED

TSLZ-NR2520A3

Reel Dimensions (Unit=mm):



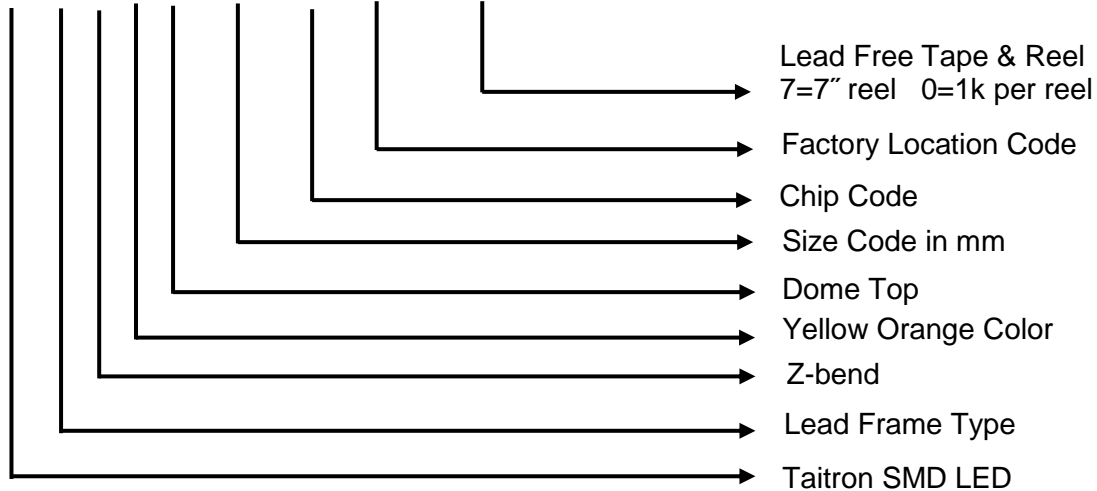
**Note:** The tolerances unless mentioned is  $\pm 0.1$ mm.

# 1.9mm Round Subminiature Yellow Orange LED

## TSLZ-NR2520A3

### Ordering Information

**TS L Z-N R 2520 A3- 92 -TR70**

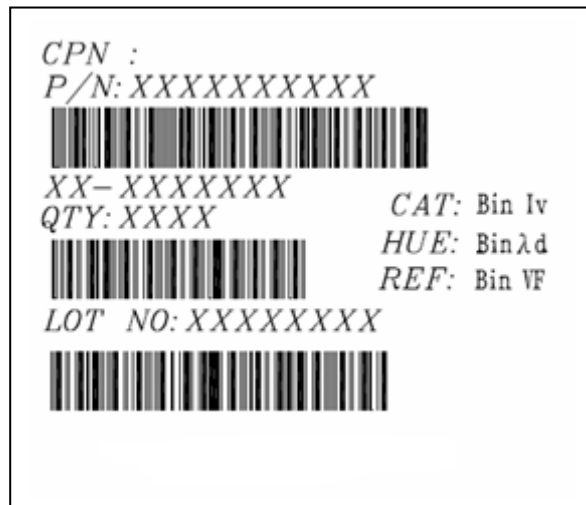


### Label Explanation

**CAT:** Luminous Intensity Rank

**HUE:** Dominant Wavelength Rank

**REF:** Forward Voltage Rank



# 1.9mm Round Subminiature Yellow Orange LED

**TSLZ-NR2520A3**

## How to contact us

### **USA HEADQUARTERS**

28040 WEST HARRISON PARKWAY, VALENCIA, CA 91355-4162

Tel: (800)-TAITRON (800)-824-8766 (661)-257-6060

Fax: (800)-TAITFAX (800)-824-8329 (661)-257-6415

Email: [taitron@taitroncomponents.com](mailto:taitron@taitroncomponents.com)

Http://[www.taitroncomponents.com](http://www.taitroncomponents.com)

### **TAITRON COMPONENTS INCORPORATED TAIWAN BRANCH**

6F., NO.190, SEC. 2, ZHONGXING RD., XINDIAN DIST., NEW TAIPEI CITY 23146, TAIWAN R.O.C.

Tel: 886-2-2913-6238

Fax: 886-2-2913-6239

### **TAITRON COMPONENT TECHNOLOG SHANGHAI CORPORATION**

SUITE 1503, METROBANK PLAZA, 1160 WEST YAN'AN ROAD, SHANGHAI, 200052, CHINA

Tel: +86-21-5424-9942

Fax: +86-21-2302-5027