

5mm Round LED for Taping (T-1 3/4)

Features

- Long life feature and low power consumption.
- High emitting efficiency.
- Reel package simplifies handling and testing.
- RoHS compliance



T-1 3/4

Descriptions

- Automatically insertable with radial lead insertion.

Applications

- Audio equipment, monitor and sign board.
- Computer peripheral, air condition and home appliance.
- Satellite receiver and burglar alarm.
- Stop light.

Device Selection Guide

Part No.	Chip		Lens Color
	Material	Emitted Color	
TLN-H1R5-3336T1	GaAlAs	Deep Hyper Red	Water Clear

Absolute Maximum Ratings (Ta=25°C)

Parameter	Symbol	Value	Unit
Reverse Voltage	VR	5	V
Forward Current	IF	40	mA
Power Dissipation	Pd	110	mW
Electrostatic Discharge	ESD	2000	V
Operating Temperature	Topr	-40 ~ +85	°C
Storage Temperature	Tstg	-40 ~ +100	°C
Soldering Temperature (Note.1)	Tsol	260 ±5	°C

Note 1:

Soldering time ≤ 5 seconds

Electro-Optical Characteristics (Ta=25°C)

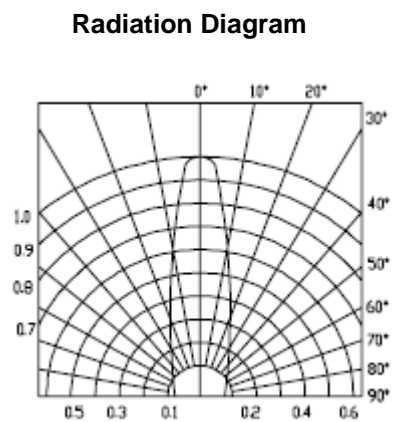
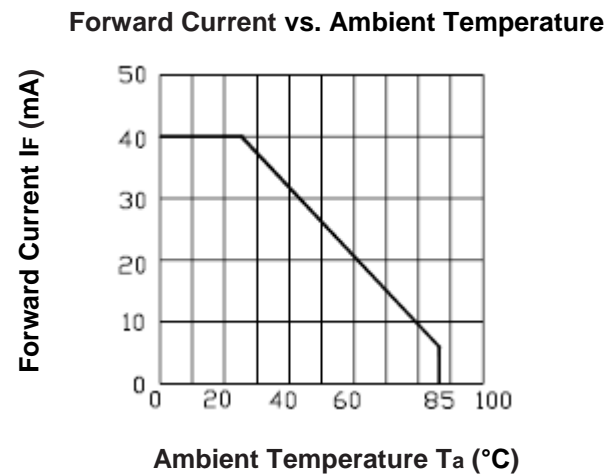
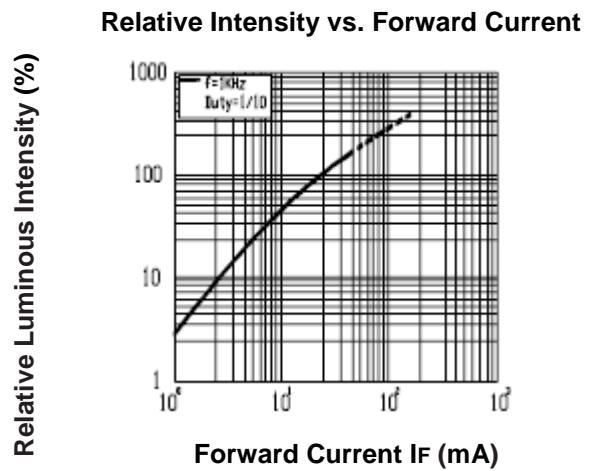
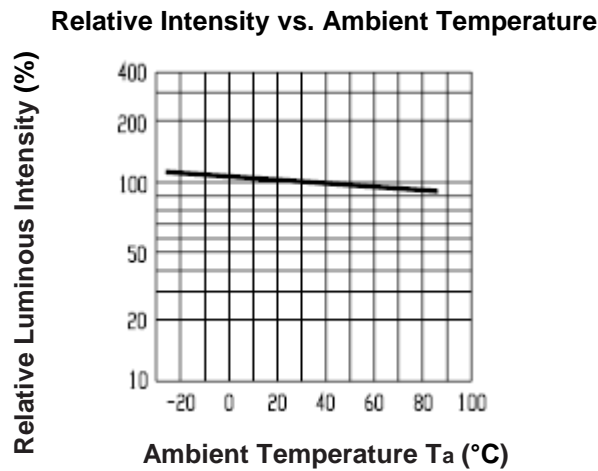
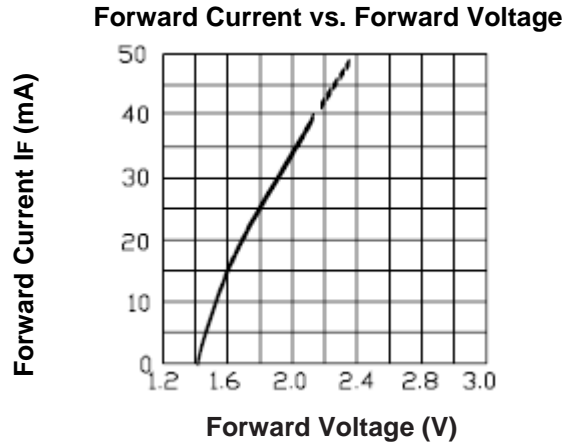
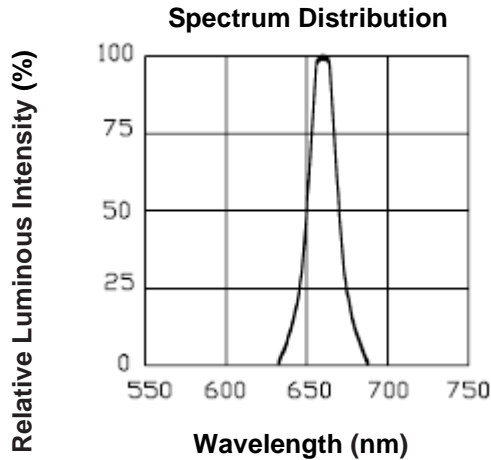
Parameter	Symbol	Min.	Typ.	Max.	Unit	Condition
Luminous Intensity	Iv	250	630	-----	mcd	IF =20mA
Viewing Angle	2θ1/2	-----	25	-----	deg	
Peak wavelength	λp	-----	660	-----	nm	
Dominant wavelength	λd	-----	643	-----	nm	
Spectrum Radiation Bandwidth	Δλ	-----	20	-----	nm	
Forward Voltage	VF	1.5	1.7	2.4	V	
Reverse Current	IR	-----	-----	10	μA	VR=5V

Notes: Tolerance of Luminous Intensity: ±10%

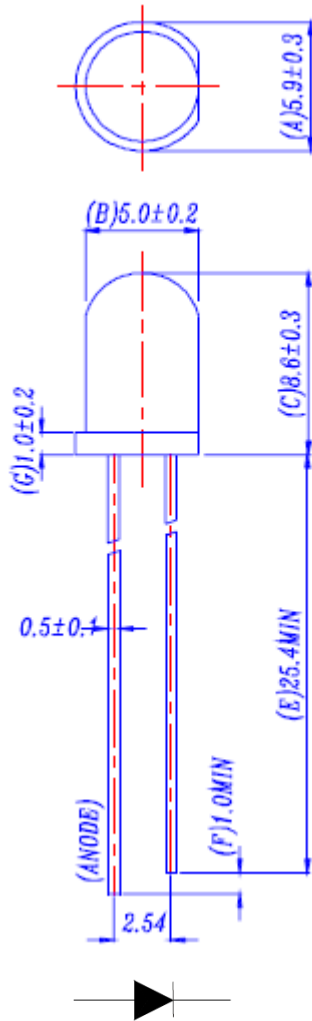
Tolerance of Dominant wavelength: ±1.0nm

Tolerance of Forward Voltage: ±0.1V

Typical Electro-Optical Characteristics Curves (Ta=25°C)



Package Dimensions (In mm)



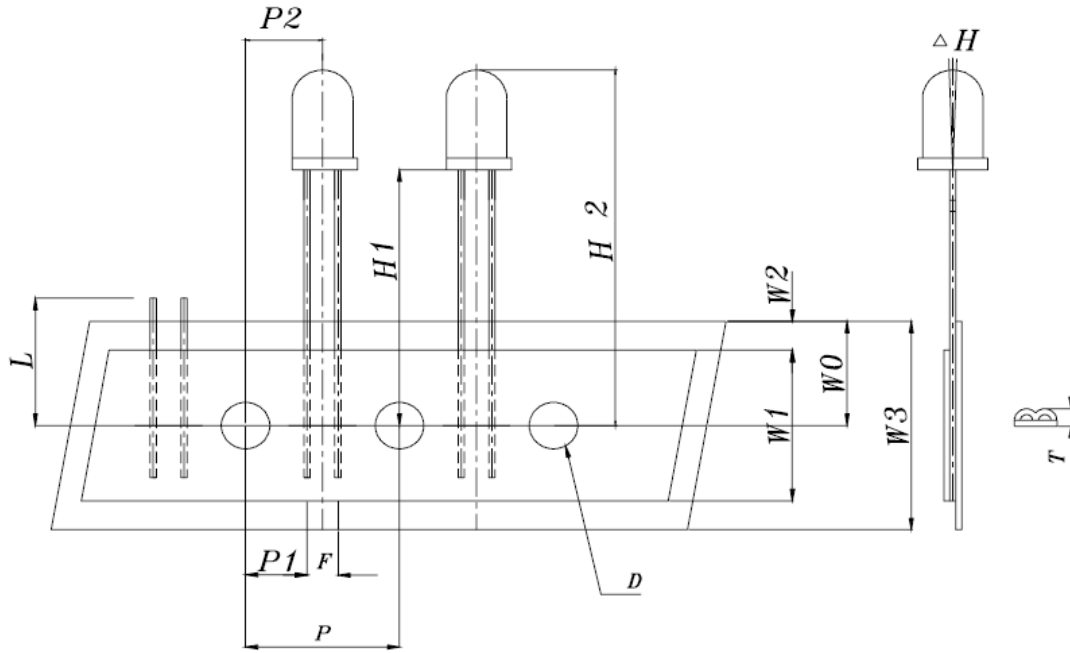
Note:

1. All dimensions are in millimeters, and tolerance is 0.25mm except being specified.
2. Lead spacing is measured where the lead emerge from the package.
3. Protruded resin under flange is 1.5mm Max. LED.

Packing Quantity Specification

Packing Type	PCS per Reel	PCS Per Inner Box	PCS Per Carton
TR30 Tape & Reel	1,000	2,000	10,000

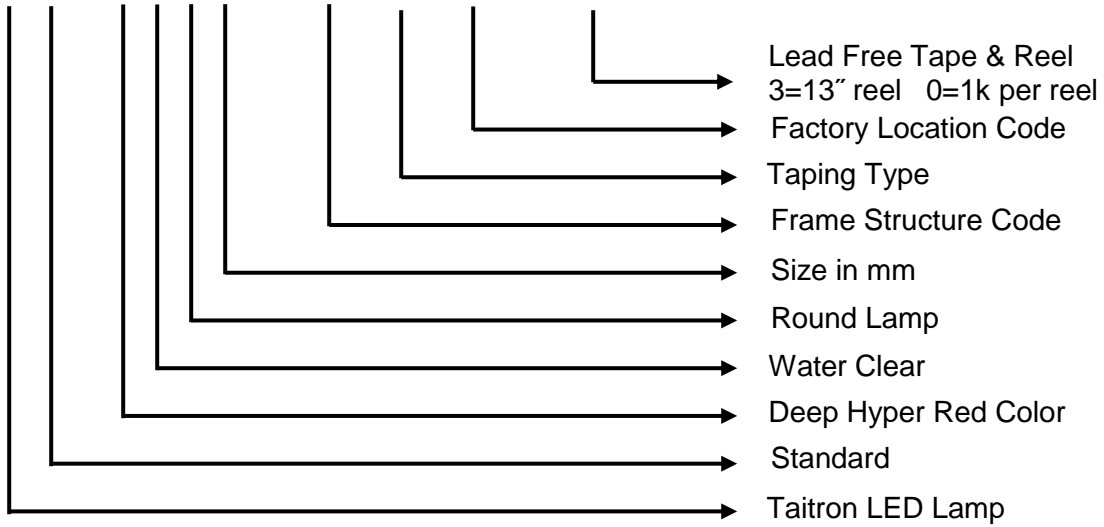
Taping Dimensions



Symbol Items	Symbol	Specifications		
		Avg.		Tolerance
		mm	Inch	(mm)
Tape Feed Hole Diameter	D	4.0	0.157	± 0.2
Component Lead Pitch	F	2.54	0.100	$+0.8/-0.2$
Front-to-Read Deflection	ΔH	0°	0	$\pm 5^\circ$
Feed Hole to Button of Component	H1	18.50	0.728	± 1.0
Feed Hole to Overall Component Height	H2	27.10	1.067	± 1.0
Lead Length after Component Removal	L	11.00	0.433	MAX
Feed Hole Pitch	P	12.70	0.500	± 0.3
Lead Location	P1	5.08	0.200	± 0.7
Center of Component Location	P2	6.35	0.250	± 1.2
Overall Taped Package Thickness	T	1.42	0.056	MAX
Feed Hole Location	W0	9.00	0.354	± 0.5
Adhesive Tape Width	W1	13.00	0.512	± 0.5
Adhesive Tape Position	W2	2.00	0.079	MAX
Tape Width	W3	18.00	0.709	± 0.75

Ordering Information

TL N - H 1 R 5 - 3336 T1 - 92 - TR30



Label Explanation

CAT: Ranks

HUE: Dominant Wavelength

REF: Reference



How to contact us

USA HEADQUARTERS

28040 WEST HARRISON PARKWAY, VALENCIA, CA 91355-4162

Tel: (800)-TAITRON (800)-824-8766 (661)-257-6060

Fax: (800)-TAITFAX (800)-824-8329 (661)-257-6415

Email: taitron@taitroncomponents.com

Http://www.taitroncomponents.com

TAITRON COMPONENTS INCORPORATED TAIWAN BRANCH

6F., NO.190, SEC. 2, ZHONGXING RD., XINDIAN DIST., NEW TAIPEI CITY 23146, TAIWAN R.O.C.

Tel: 886-2-2913-6238

Fax: 886-2-2913-6239

TAITRON COMPONENT TECHNOLOG SHANGHAI CORPORATION

SUITE 1503, METROBANK PLAZA, 1160 WEST YAN'AN ROAD, SHANGHAI, 200052, CHINA

Tel: +86-21-5424-9942

Fax: +86-21-2302-5027