

## 5mm Round Super Yellow LED (T-1 3/4)

### Features

- Standard T-1 3/4 diameter package
- High efficient light output
- UV Resistant Epoxy
- RoHS compliance



T-1 3/4



### Applications

- Indoor/Outdoor Applications
- Indicator
- Vehicle Tail Light
- Variable Message Signs
- Center High Mount Stop Light
- Warning Light

### Device Selection Guide

Part No.	Chip		Lens Color
	Material	Emitted Color	
TLH-X1R5-K1KK	AlInGaP	Super Yellow	Water Clear

**Absolute Maximum Ratings (Ta=25°C)**

Parameter	Symbol	Value	Unit
Reverse Voltage	<b>VR</b>	5	V
Average Forward Current (Note 1&3)	<b>IF</b>	50	mA
Peak Forward Current (Note 2)	<b>IFP</b>	100	mA
Power Dissipation	<b>Pd</b>	120	mW
LED Junction Temperature	<b>TJ</b>	125	°C
Operating Temperature (Note 3)	<b>Topr</b>	-40 ~ +100	°C
Storage Temperature	<b>Tstg</b>	-40 ~ +100	°C
Soldering Temperature	<b>Tsol</b>	260°C / 5 seconds	

**Notes:** 1. Design of heat dissipation should be considered.

2. Duty Ration=1/10, Pulse Width=0.1ms.

3. The allowable operating current at different operation temperature, please take reference from Fig. 5 page 3.

**Electro-Optical Characteristics (Ta=25°C)**

Parameter	Symbol	Min.	Typ.	Max.	Unit	Condition
Luminous Intensity	<b>Iv</b>	9690	14000	-----	mcd	IF =20mA
Viewing Angle	<b>2θ1/2</b>	-----	15	-----	deg	
Dominant wavelength	<b>λd</b>	585	589	595	nm	
Spectrum Radiation Bandwidth	<b>Δλ</b>	-----	25	-----	nm	
Forward Voltage	<b>VF</b>	1.8	2.0	2.4	V	
Reverse Current	<b>IR</b>	-----	-----	10	μA	VR=5V

**Notes:** Tolerance of Luminous Intensity: ±10%

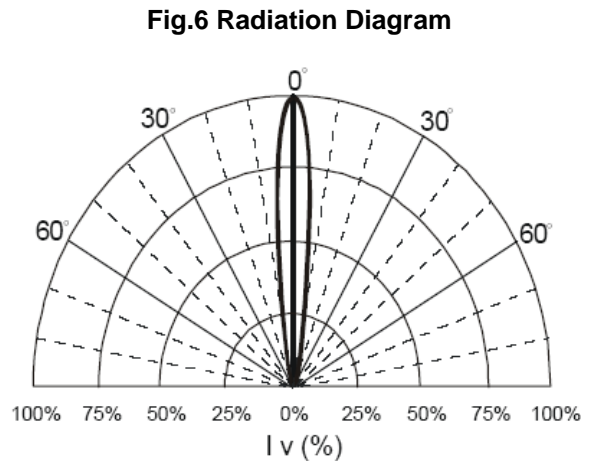
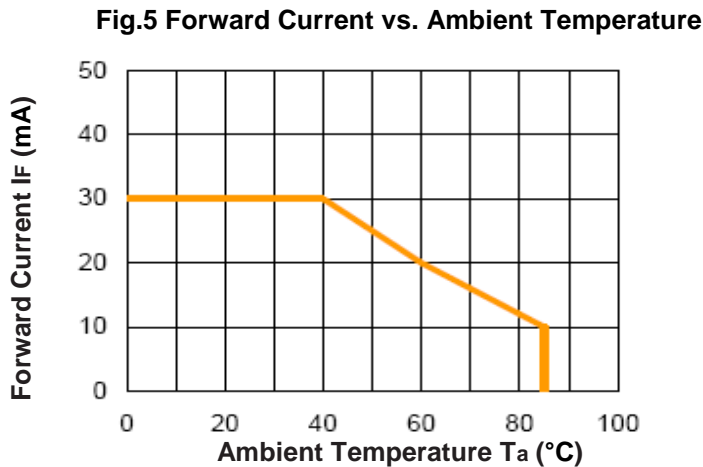
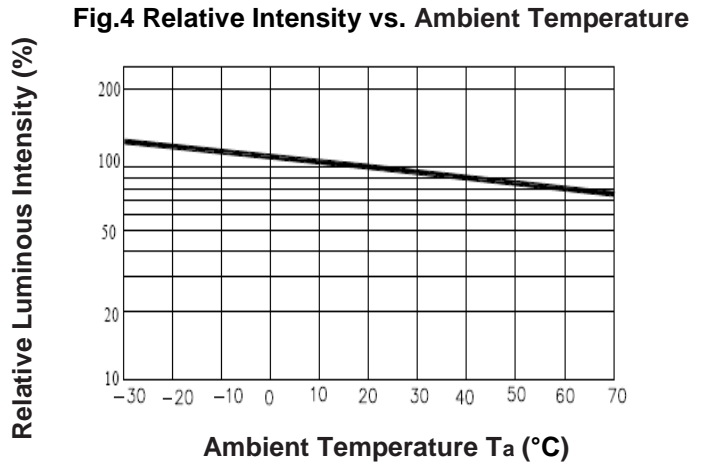
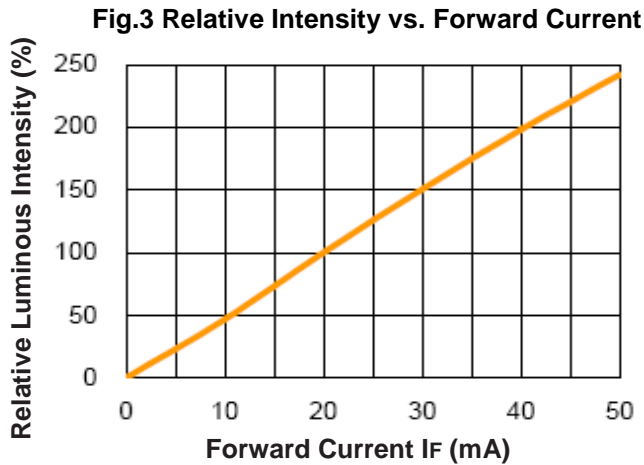
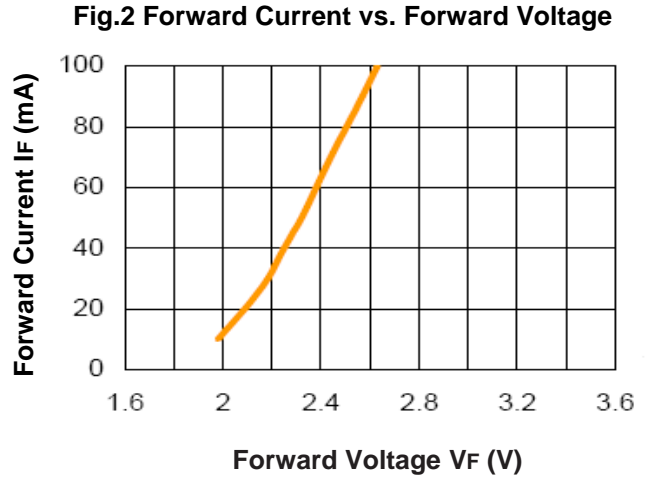
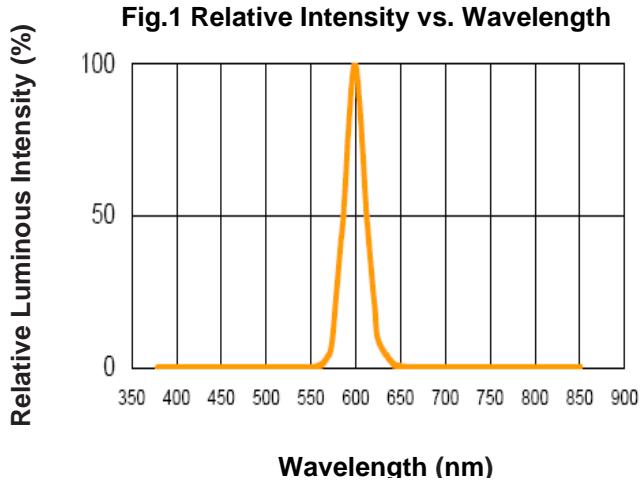
Tolerance of Dominant wavelength: ±1.0nm

Tolerance of Forward Voltage: ±0.1V

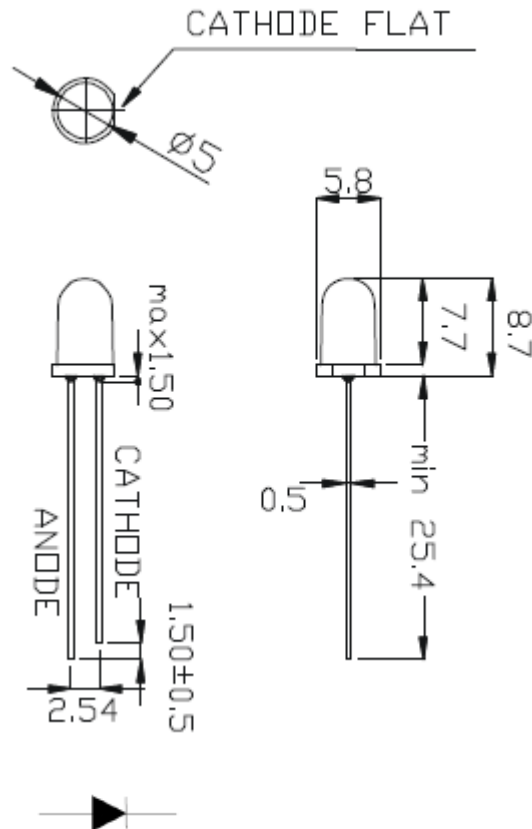
# 5mm Round LED

## TLH-X1R5-K1KK

### Typical Electro-Optical Characteristics Curves ( $T_a=25^\circ\text{C}$ )



## Package Dimensions:

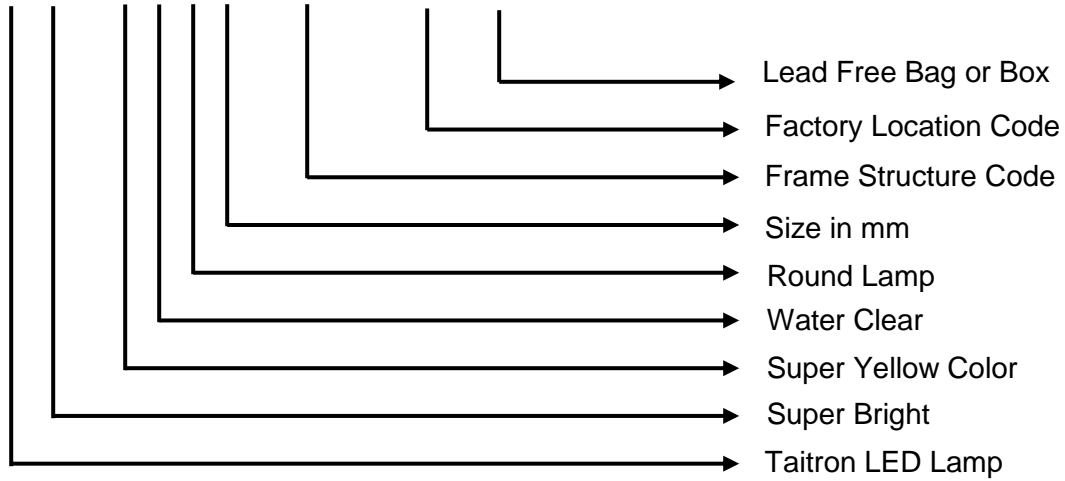


## Note:

1. All dimensions are in millimeters, and tolerance is 0.2mm.
2. Protruded resin under bottom surface of epoxy is 1.5mm max.
3. Lead spacing is measured where the leads emerge from the package.
4. Specifications are subject to be changed without notice.

**Ordering Information**

TL H - X 1 R 5 - K1KK - 88 - BL



## Rank Combinations

### Bin Range of Luminous Intensity

Bin Code	Min.	Max.	Unit	Condition
6Y	9690	13570	mcd	IF=20 mA
6Z	13570	19000		
A1*	19000	26600		

### Bin Range of Forward Voltage

Bin Code	Min.	Max.	Unit	Condition
G	1.8	2.0	V	IF=20 mA
H	2.0	2.2		
J	2.2	2.4		

### Bin Range of Dominant wavelength

Bin Code	Min.	Max.	Unit	Condition
Y3	585	589	nm	IF=20 mA
Y4	589	592		
Y5	592	595		

**Notes:** Tolerance of Luminous Flux:  $\pm 10\%$

Tolerance of Forward Voltage:  $\pm 0.1V$

Tolerance of Dominant Wavelength:  $\pm 1.0nm$

\*Bin with less distribution

## How to contact us

### USA HEADQUARTERS

28040 WEST HARRISON PARKWAY, VALENCIA, CA 91355-4162

Tel: (800)-TAITRON (800)-824-8766 (661)-257-6060

Fax: (800)-TAITFAX (800)-824-8329 (661)-257-6415

Email: [taitron@taitroncomponents.com](mailto:taitron@taitroncomponents.com)

Http://[www.taitroncomponents.com](http://www.taitroncomponents.com)

### TAITRON COMPONENTS INCORPORATED TAIWAN BRANCH

6F., NO.190, SEC. 2, ZHONGXING RD., XINDIAN DIST., NEW TAIPEI CITY 23146, TAIWAN R.O.C.

Tel: 886-2-2913-6238

Fax: 886-2-2913-6239

### TAITRON COMPONENT TECHNOLOG SHANGHAI CORPORATION

SUITE 1503, METROBANK PLAZA, 1160 WEST YAN'AN ROAD, SHANGHAI, 200052, CHINA

Tel: +86-21-5424-9942

Fax: +86-21-2302-5027