

3mm Round LED (T-1) Small Flange with Stand-Off

Features

- Popular T-1 diameter package
- Choice of various viewing angles
- Reliable and robust
- RoHS compliance



T-1



Descriptions

- The series is specially designed for applications requiring higher brightness.
- The LED lamps are available with different colors, intensities.

Applications

- TV set
- Monitor
- Telephone
- Computer

Device Selection Guide

Part No.	Chip		Lens Color
	Material	Emitted Color	
TLH-D1R3S-2647A3	AllnGaP	Super Deep Red	Water Clear

3mm Round LED Small Flange with Stand-Off

TLH-D1R3S-2647A3

Absolute Maximum Ratings (Ta=25°C)

Parameter	Symbol	Value	Unit
Reverse Voltage	VR	5	V
Continuous Forward Current	IF	25	mA
Power Dissipation	Pd	60	mW
Electrostatic Discharge	ESD	2000	V
Soldering Temperature (Note.1)	Tsol	260 ±5	°C
Operating Temperature	Topr	-40 ~ +85	°C
Storage Temperature	Tstg	-40 ~ +100	°C

Note: 1. Soldering time ≤ 5 seconds

Electro-Optical Characteristics (Ta=25°C)

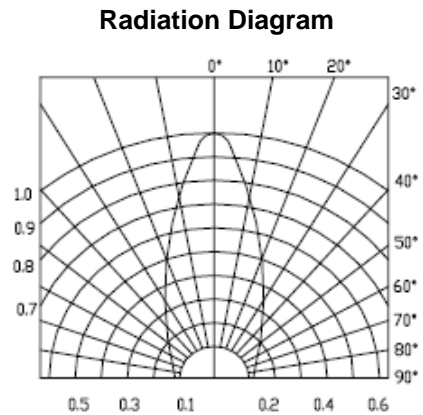
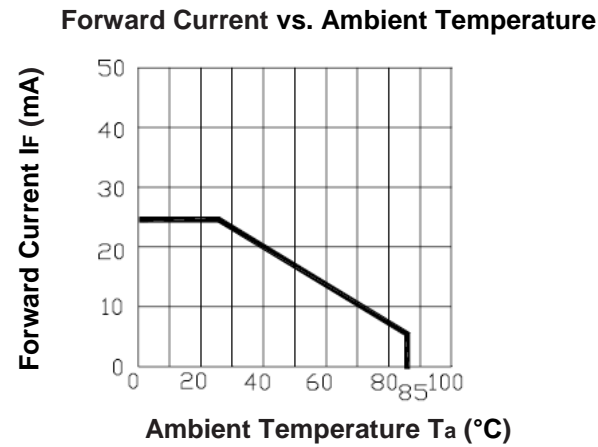
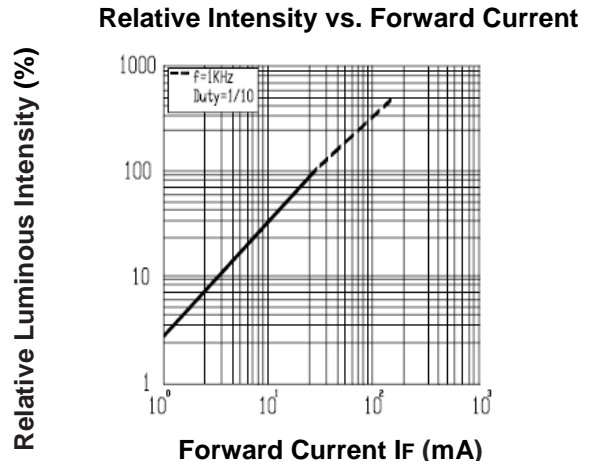
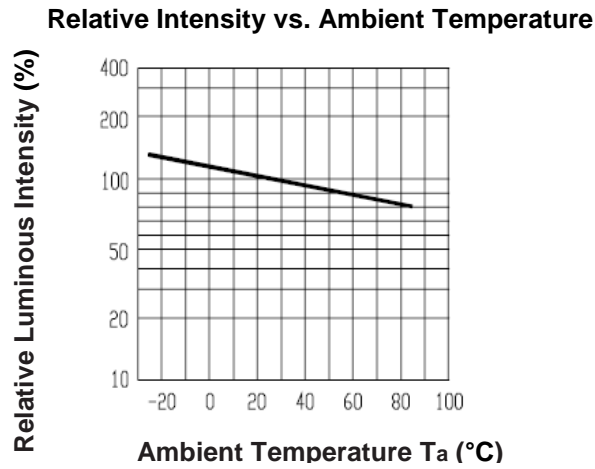
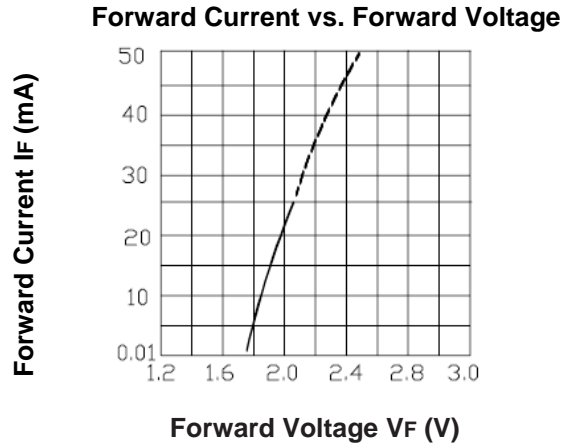
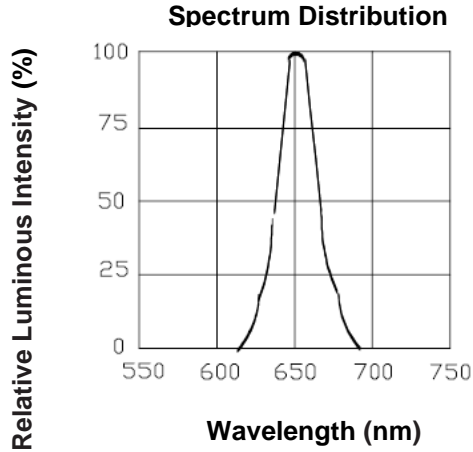
Parameter	Symbol	Min.	Typ.	Max.	Unit	Condition
Luminous Intensity	Iv	63	100	-----	mcd	IF =20mA
Viewing Angle	2θ1/2	-----	40	-----	deg	
Peak wavelength	λp	-----	650	-----	nm	
Dominant wavelength	λd	-----	639	-----	nm	
Spectrum Radiation Bandwidth	Δλ	-----	20	-----	nm	
Forward Voltage	VF	-----	2.0	2.4	V	
Reverse Current	IR	-----	-----	10	μA	VR=5V

Notes: Tolerance of Luminous Intensity: ±10%
Tolerance of Dominant wavelength: ±1.0nm
Tolerance of Forward Voltage: ±0.1V

3mm Round LED Small Flange with Stand-Off

TLH-D1R3S-2647A3

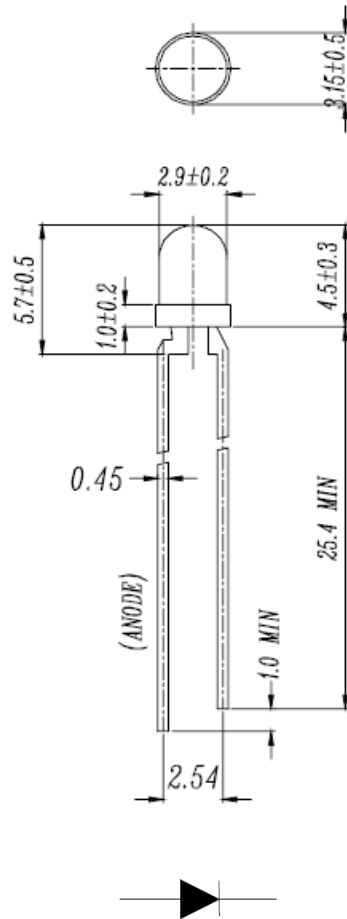
Typical Electro-Optical Characteristics Curves ($T_a=25^\circ\text{C}$)



3mm Round LED Small Flange with Stand-Off

TLH-D1R3S-2647A3

Package Dimensions (In mm)



Note:

1. All dimensions are in millimeters, and tolerance is 0.25mm without special declared.
2. The height of flange must be less than 1.5mm.

Packing Quantity Specification

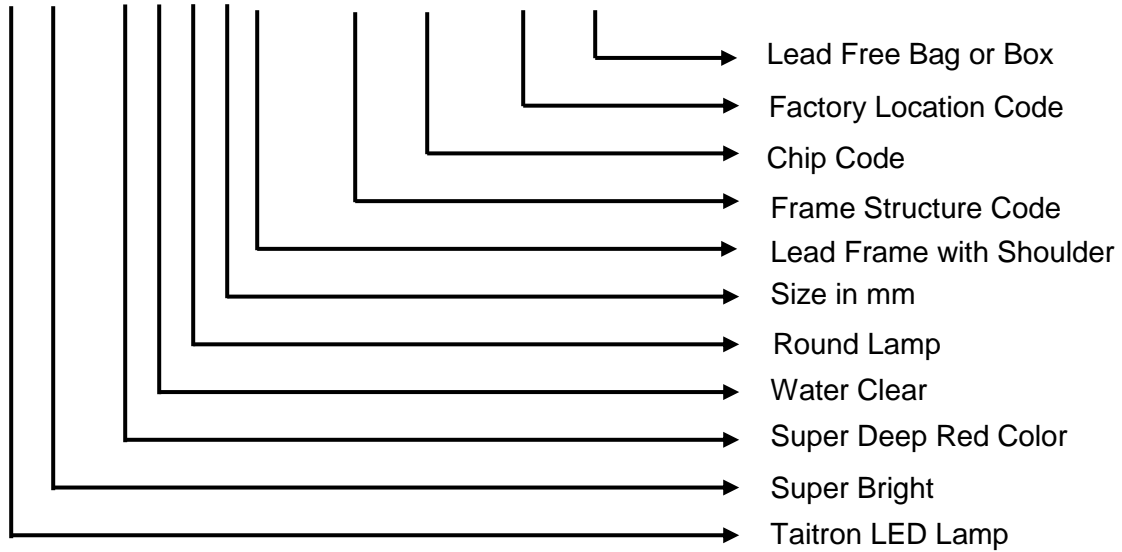
Packing Type	PCS per Bag	PCS Per Inner Box	PCS Per Carton
Bulk	1,000	4,000	40,000

3mm Round LED Small Flange with Stand-Off

TLH-D1R3S-2647A3

Ordering Information

TL H - D 1 R 3 S - 2647 A3 - 92 - BL

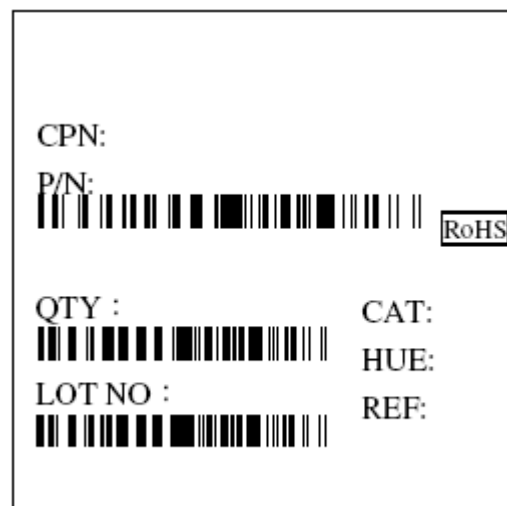


Label Explanation

CAT: Ranks

HUE: Dominant Wavelength

REF: Reference



3mm Round LED Small Flange with Stand-Off

TLH-D1R3S-2647A3

How to contact us

USA HEADQUARTERS

28040 WEST HARRISON PARKWAY, VALENCIA, CA 91355-4162

Tel: (800)-TAITRON (800)-824-8766 (661)-257-6060

Fax: (800)-TAITFAX (800)-824-8329 (661)-257-6415

Email: taitron@taitroncomponents.com

Http://www.taitroncomponents.com

TAITRON COMPONENTS INCORPORATED TAIWAN BRANCH

6F., NO.190, SEC. 2, ZHONGXING RD., XINDIAN DIST., NEW TAIPEI CITY 23146, TAIWAN R.O.C.

Tel: 886-2-2913-6238

Fax: 886-2-2913-6239

TAITRON COMPONENT TECHNOLOG SHANGHAI CORPORATION

SUITE 1503, METROBANK PLAZA, 1160 WEST YAN'AN ROAD, SHANGHAI, 200052, CHINA

Tel: +86-21-5424-9942

Fax: +86-21-2302-5027