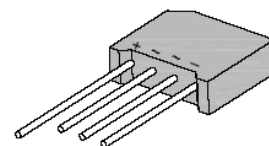


## 4A Glass Passivated Bridge Rectifier

### Features

- Glass Passivated chip junctions
- Low forward voltage drop
- High surge current capability, high reliability
- High temperature soldering guaranteed: 260°C/10 seconds  
/.375"(9.5mm) lead length at 5lbs.2.3kg tension
- RoHS Compliant



TL



### Mechanical Data

<b>Case:</b>	TL, molded plastic
<b>Epoxy:</b>	Plastic package has UL flammability 94V-0
<b>Terminals:</b>	Plated leads solderable per MIL-STD-750, Method 2026
<b>Polarity:</b>	As marked on body
<b>Weight:</b>	5.6 gram

### Maximum Ratings And Electrical Characteristics (T<sub>amb</sub>=25°C)

Symbol	Description	TL400G	TL401G	TL402G	TL404G	TL406G	TL408G	TL410G	Unit	Conditions
<b>V<sub>RRM</sub></b>	Max. Repetitive Peak Reverse Voltage	50	100	200	400	600	800	1000	V	
<b>V<sub>RMS</sub></b>	Max. RMS Voltage	35	70	140	280	420	560	700	V	
<b>V<sub>DC</sub></b>	Max. DC Blocking Voltage	50	100	200	400	600	800	1000	V	
<b>I<sub>F(AV)</sub></b>	Average Rectified Output Current	4.0							A	T <sub>C</sub> =75°C
<b>I<sub>FSM</sub></b>	Peak Forward Surge Current	150							A	8.3ms single half sine-wave superimposed on rated load (JEDEC method)
<b>V<sub>F</sub></b>	Max. Instantaneous Forward Voltage drop per leg	1.1							V	I <sub>F</sub> =4.0A
<b>I<sub>R</sub></b>	Peak Reverse Current at Rated DC Blocking Voltage	5.0							µA	T <sub>A</sub> =25°C
		1000							µA	T <sub>A</sub> =125°C

# 4A Glass Passivated Bridge Rectifier

## TL400G - TL410G

Symbol	Description	TL400G	TL401G	TL402G	TL404G	TL406G	TL408G	TL410G	Unit	Conditions	
$I^2t$	Rating for Fusing ( $t < 8.3\text{ms}$ )	93.3								A <sup>2</sup> s	Note 1
$R_{thJA}$	Typical Thermal Resistance per leg	19								°C / W	Note 2
$R_{thJL}$	Typical Thermal Resistance per leg	2.4									Note 3
$T_J, T_{STG}$	Operating Junction and Storage Temperature Range	-65 to +150								°C	

- Note:**
1. Non-repetitive for  $t > 1\text{ms}$  and  $< 8.3\text{ms}$ .
  2. Mounted on  $75 \times 75 \times 3.0\text{mm}$  Al. plate.
  3. Mounted on PCB at  $9.5\text{mm}$  lead length with  $12\text{mm}^2$  copper pad.

### Typical Characteristics Curves

Fig.1-Forward Current Derating Curve

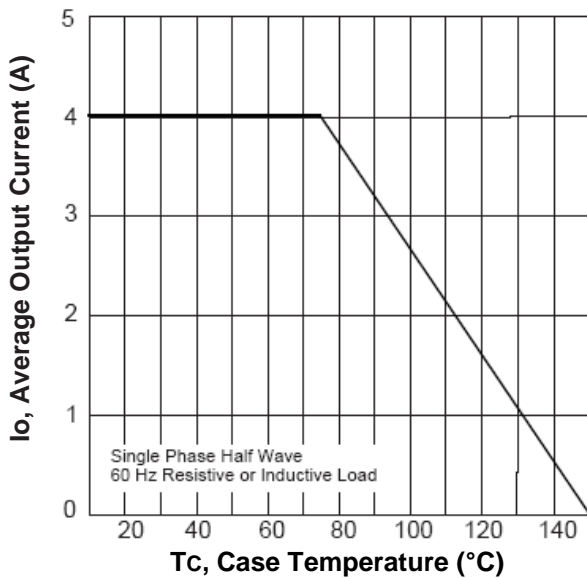
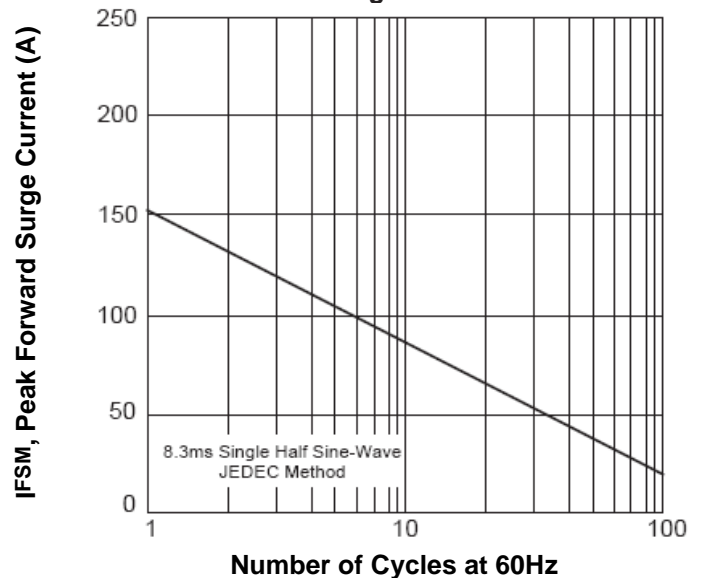


Fig.2-Max. Non-repetitive Peak Forward Surge Current



# 4A Glass Passivated Bridge Rectifier

## TL400G - TL410G

Fig.3-Typical Forward Characteristic per element

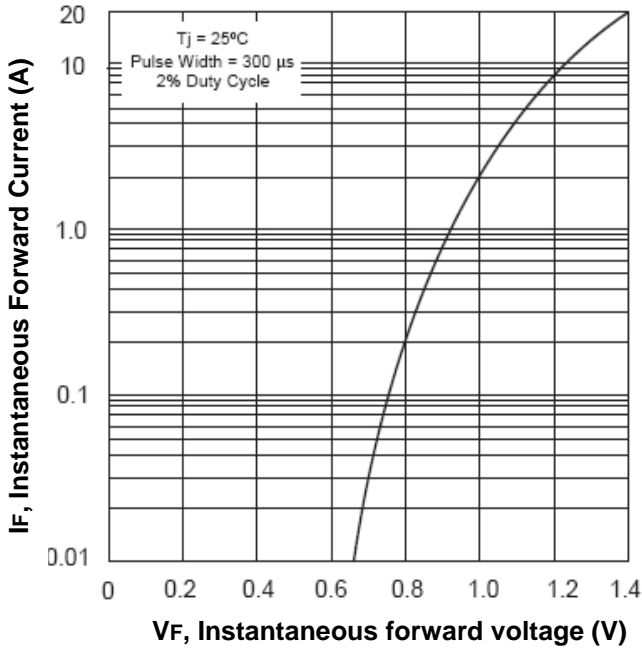
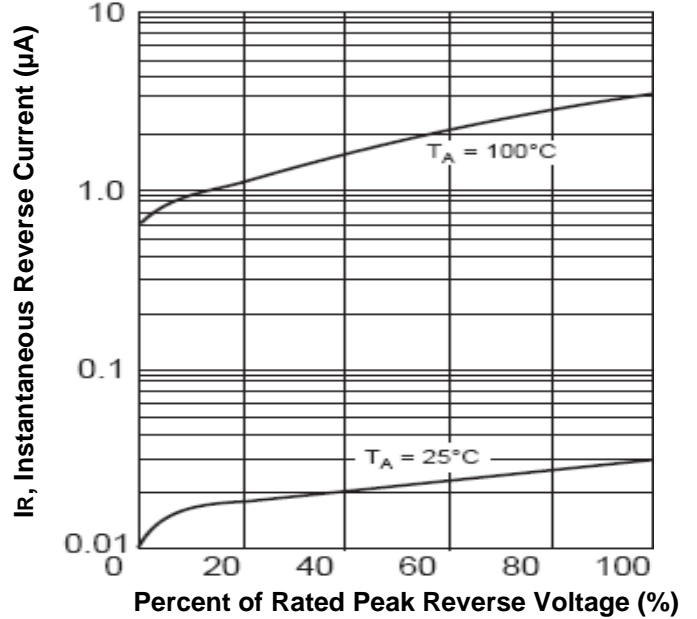
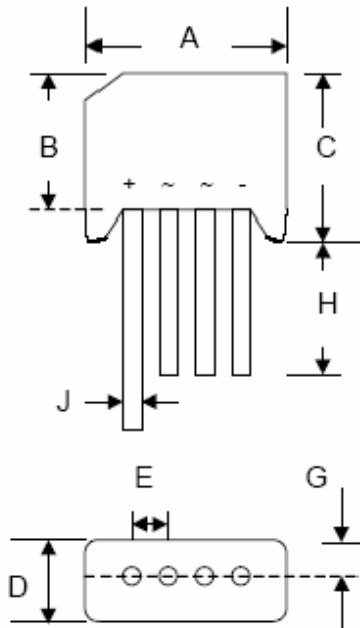


Fig.4-Typical Reverse Characteristics per element



### Dimensions in mm



Dim	Min	Max
A	18.50	19.50
B	13.70	14.70
C	15.20	16.30
D	6.00	6.50
E	4.60	5.60
G	—	2.10
H	19.00	—
J	1.20 $\varnothing$	1.30 $\varnothing$

TL

# 4A Glass Passivated Bridge Rectifier

---

TL400G - TL410G

## How to contact us

### **USA HEADQUARTERS**

28040 WEST HARRISON PARKWAY, VALENCIA, CA 91355-4162

Tel: (800)-TAITRON (800)-824-8766 (661)-257-6060

Fax: (800)-TAITFAX (800)-824-8329 (661)-257-6415

Email: [taitron@taitroncomponents.com](mailto:taitron@taitroncomponents.com)

Http://[www.taitroncomponents.com](http://www.taitroncomponents.com)

### **TAITRON COMPONENTS INCORPORATED TAIWAN BRANCH**

6F., NO.190, SEC. 2, ZHONGXING RD., XINDIAN DIST., NEW TAIPEI CITY 23146, TAIWAN R.O.C.

Tel: 886-2-2913-6238

Fax: 886-2-2913-6239

### **TAITRON COMPONENT TECHNOLOG SHANGHAI CORPORATION**

SUITE 1503, METROBANK PLAZA, 1160 WEST YAN'AN ROAD, SHANGHAI, 200052, CHINA

Tel: +86-21-5424-9942

Fax: +86-21-2302-5027