

Non-Shielded SMD Power Inductor

Features

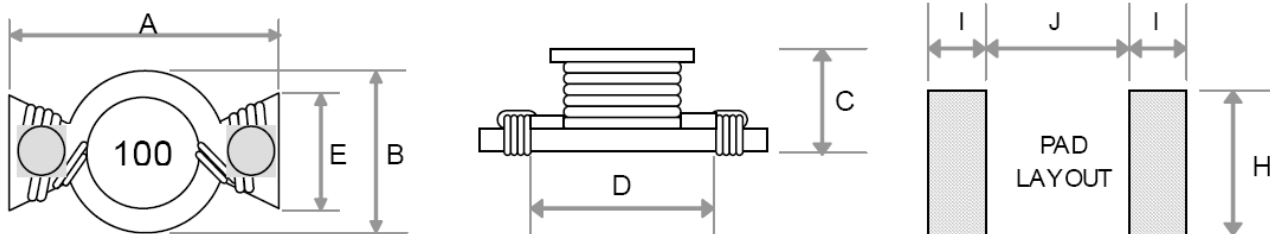
- Miniature surface mount design
- High power, High saturation inductors
- Very low resistance
- Ideal inductors for DC-DC converters
- Available on tape and reel for auto surface mounting
- RoHS Compliant



Applications

- Notebook Computers
- Handheld Communications
- LCD Televisions
- Power Supply For VTRs
- DC/DC Converters, etc.

Dimensions (in mm)



Type	A max.	B max.	C max.	D	E	H	I	J
TIS0503SDXXXML	8.89	6.40	5.00	5.84	2.60	4.06	2.00	5.08

Non-Shielded SMD Power Inductor

TIS0503SDXXXML Series

Electrical Specifications

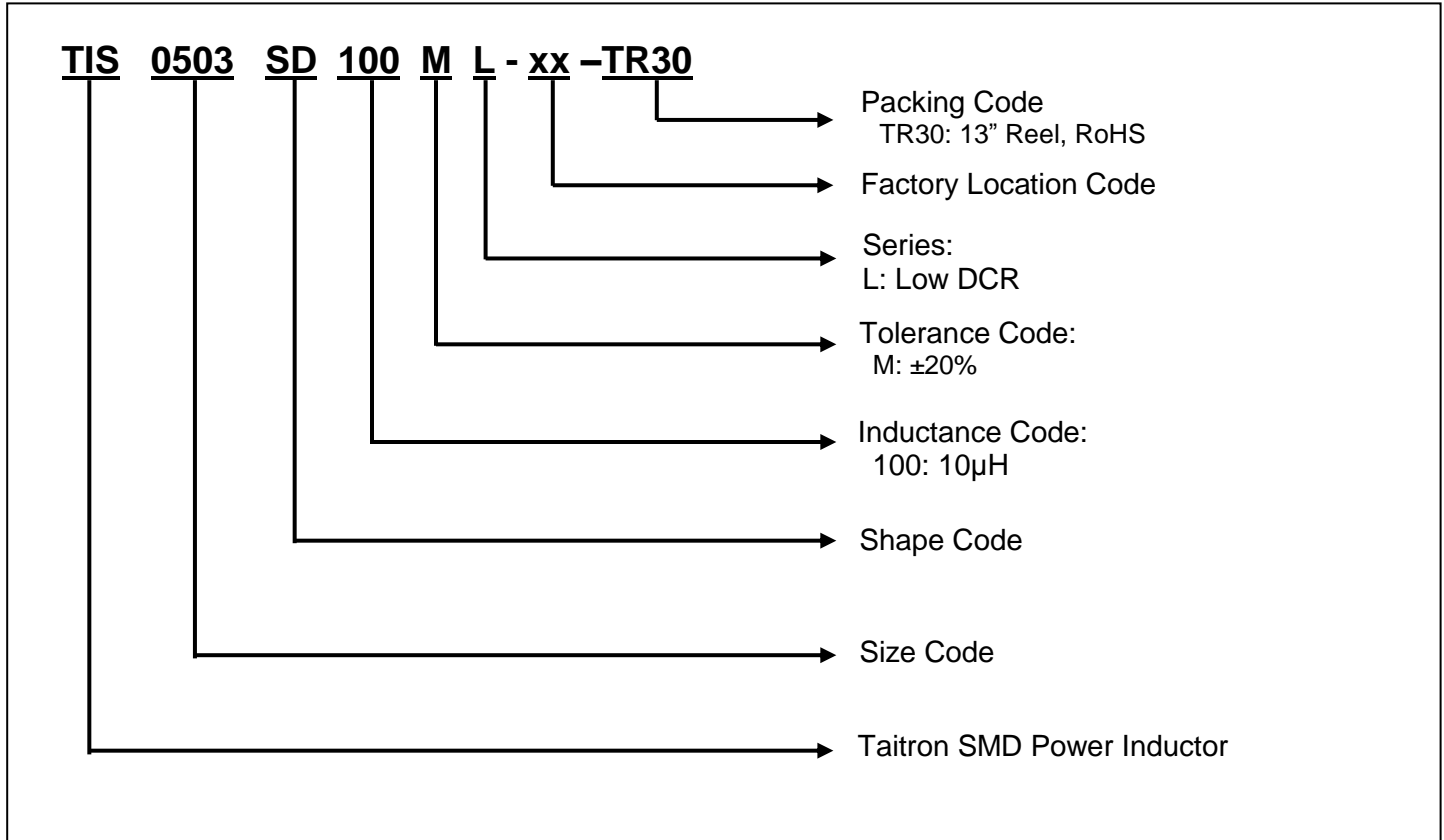
- Saturation Rated Current: The current when the inductance becomes 30% lower than its initial value. (Ta=25°C)
- Operating temperature range: -40~85°C

Codes	L (μ H)	Tolerance	Test Condition	DCR (Ω) max.	IDC (A) max.
R56	0.56	20%	100KHz, 0.1V	0.010	7.70
2R2	2.2	20%	100KHz, 0.1V	0.035	3.50
3R3	3.3	20%	100KHz, 0.1V	0.040	3.00
4R7	4.7	20%	100KHz, 0.1V	0.054	2.60
6R8	6.8	20%	100KHz, 0.1V	0.080	2.20
100	10	20%	100KHz, 0.1V	0.111	1.90
150	15	20%	100KHz, 0.1V	0.170	1.50
220	22	20%	100KHz, 0.1V	0.250	1.20
330	33	20%	100KHz, 0.1V	0.350	0.99
470	47	20%	100KHz, 0.1V	0.470	0.87
680	68	20%	100KHz, 0.1V	0.730	0.68
101	100	20%	100KHz, 0.1V	1.110	0.53

Non-Shielded SMD Power Inductor

TIS0503SDXXXML Series

How to Order



Non-Shielded SMD Power Inductor

TIS0503SDXXXML Series

How to contact us:

US HEADQUARTERS

28040 WEST HARRISON PARKWAY, VALENCIA, CA 91355-4162

Tel: (800) TAITRON (800) 824-8766 (661) 257-6060

Fax: (800) TAITFAX (800) 824-8329 (661) 257-6415

Email: taitron@taitroncomponents.com

Http://www.taitroncomponents.com

TAITRON COMPONENTS MEXICO, S.A .DE C.V.

BOULEVARD CENTRAL 5000 INTERIOR 5 PARQUE INDUSTRIAL ATITALAQUIA, HIDALGO C.P.
42970 MEXICO

Tel: +52-55-5560-1519

Fax: +52-55-5560-2190

TAITRON COMPONETS INCORPORATED E REPRESENTAÇÕES DO BRASIL LTDA

RUA DOMINGOS DE MORAIS, 2777, 2.ANDAR, SALA 24 SAÚDE - SÃO PAULO-SP 04035-001 BRAZIL

Tel: +55-11-5574-7949

Fax: +55-11-5572-0052

TAITRON COMPONETS INCORPORATED, SHANGHAI REPRESENTATIVE OFFICE

METROBANK PLAZA, 1160 WEST YAN'AN ROAD, SUITE 1503, SHANGHAI, 200052, CHINA

Tel: +86-21-5424-9942

Fax: +86-21-5424-9931