

Miniature Electrolytic Caps

Features

- Radial leads, cylindrical aluminum case
- Similar to the TER series but smaller in size
- Low impedance characteristics
- Lifetime: 1000 hours at 85°C



Specification

Description		Value								Conditions
Operation Temperature Range		-40 ~ +85°C								
Rated Voltage Range (WV)		4 ~ 63VDC								
Rated Capacitance Range		0.1 ~ 470 uF								
Capacitance Tolerance		±20%								at 120Hz, 20 °C
Max. Leakage current at 20°C		I ≤ 0.01 CV or 3 μA, whichever is greater (I= Leakage Current(μA), C=Nominal Capacitance(uF), V=Rated Voltage(V))								After 2 minutes applied Rated Voltage
Max. Dissipation Factor tan δ		0.35	0.24	0.20	0.16	0.14	0.12	0.10	0.08	at 20°C, 120Hz
Working Voltage (V)		4	6.3	10	16	25	35	50	63	
Surge Voltage (V)		5	8	13	20	32	44	63	79	at 20°C
Low Temperature Stability Impedance Ratio at 120Hz		6	4	3	2	2	2	2	2	Z(-25°C)/ Z(+20°C)
		12	8	6	4	4	4	4	4	Z(-40°C)/ Z(+20°C)
Load Life	Cap. Change	Within ±20% of the initial value								After 1000 Hours applied Rated Voltage at 85°C
	Dissipation Factor	200% or less of initial specified value								
	Leakage Current	≤ initial specified value								
Shelf Life		Shall meet the same requirement as load life test								After placing at 85° C without voltage applied for 500 hours

Case Size & Rated Ripple Current

C(μF)	Rated Voltage (V)							
	4		6.3		10		16	
	Size	Ripple	Size	Ripple	Size	Ripple	Size	Ripple
2.2							4x7	10
3.3							4x7	10
4.7							4x7	20
10							4x7	30
22					4x7	35	4x7	40
33	4x7	35	4x7	40	4x7	45	4x7	50
47	4x7	40	4x7	50	4x7	60	5x7	70
100	5x7	65	5x7	80	5x7	90	6.3x7	110
220	6.3x7	110	6.3x7	120	6.3x7	135	8x7	180
330			8x7	170	8x9	170	8x9	230
470			8x9	230	8x9	240	8x9	280

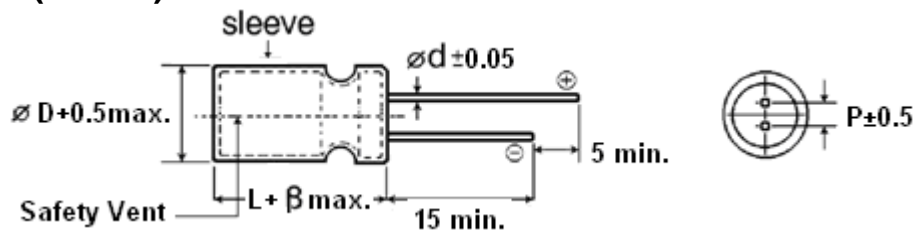
C(μF)	Rated Voltage (V)							
	25		35		50		63	
	Size	Ripple	Size	Ripple	Size	Ripple	Size	Ripple
0.10					4x7	1	4x7	1
0.22					4x7	2	4x7	2
0.33					4x7	3	4x7	3
0.47					4x7	5	4x7	5
1.0					4x7	10	4x7	10
2.2					4x7	20	4x7	20
3.3					4x7	25	4x7	30
4.7	4x7	20	4x7	25	4x7	35	5x7	40
10	4x7	35	4x7	40	5x7	45	6.3x7	55
22	5x7	50	5x7	60	6.3x7	70		
33	5x7	65	6.3x7	75	8x7	85		
47	6.3x7	75	6.3x7	80	8x7	100		
100	8x7	120	8x7	145				

Note: 1. Case Size: φD X L (mm);
2. Max Permissible Ripple Current (RC) at 120Hz, 85°C, (mA/rms);

Ripple Current Multiplier Frequency coefficient

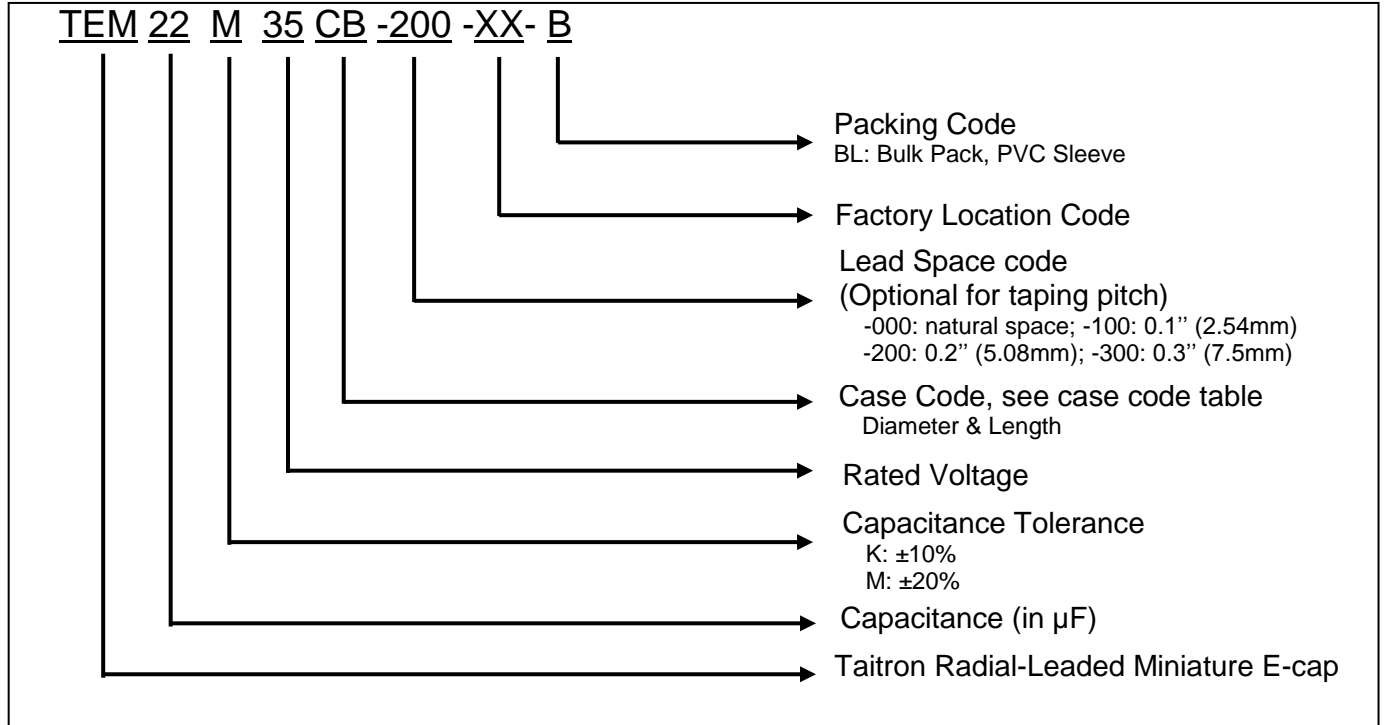
Freq. (Hz) WV (VDC)	50	120	1000	10,000
4 ~ 16	0.8	1.0	1.1	1.2
25 ~ 35	0.8	1.0	1.5	1.7
50 ~ 63	0.8	1.0	1.6	1.9

Dimensions (in mm)



ϕD	4	5	6.3	8
P	1.5	2.0	2.5	3.5
ϕd	0.45	0.45	0.45	0.5
β	1.0	1.0	1.0	1.0

How to Order



Case code table

Diameter (mm)	4	5	6.3	8
Code	B	C	E	F

Length (mm)	7	7.5	8	9
Code	B	C	D	E

How to contact us

USA HEADQUARTERS

28040 WEST HARRISON PARKWAY, VALENCIA, CA 91355-4162

Tel: (800)-TAITRON (800)-824-8766 (661)-257-6060

Fax: (800)-TAITFAX (800)-824-8329 (661)-257-6415

Email: taitron@taitroncomponents.com

Http://www.taitroncomponents.com

TAITRON COMPONENTS INCORPORATED TAIWAN BRANCH

6F., NO.190, SEC. 2, ZHONGXING RD., XINDIAN DIST., NEW TAIPEI CITY 23146, TAIWAN R.O.C.

Tel: 886-2-2913-6238

Fax: 886-2-2913-6239

TAITRON COMPONENT TECHNOLOG SHANGHAI CORPORATION

SUITE 1503, METROBANK PLAZA, 1160 WEST YAN'AN ROAD, SHANGHAI, 200052, CHINA

Tel: +86-21-5424-9942

Fax: +86-21-2302-5027