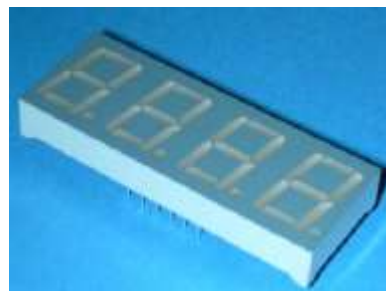


0.56" Quadruple Digit Displays

Features

- Industrial standard size.
- Low power consumption.
- Categorized for luminous intensity.
- RoHS compliance.



Q56H2



Descriptions

- The series is a 0.56" height seven segment quadruple display designed for viewing distances up to 7 meters.
- These displays provide excellent reliability in bright ambient light.
- These devices are made with white segment and gray surface.

Applications

- Audio equipment
- Instrument panels
- Digital read out display

Device Selection Guide

Part No.	Chip		Face Color
	Material	Emitted Color	
TDH-Q2Q5626AA4	AllnGaP	Super Red	Gray

Absolute Maximum Ratings (Ta=25°C)

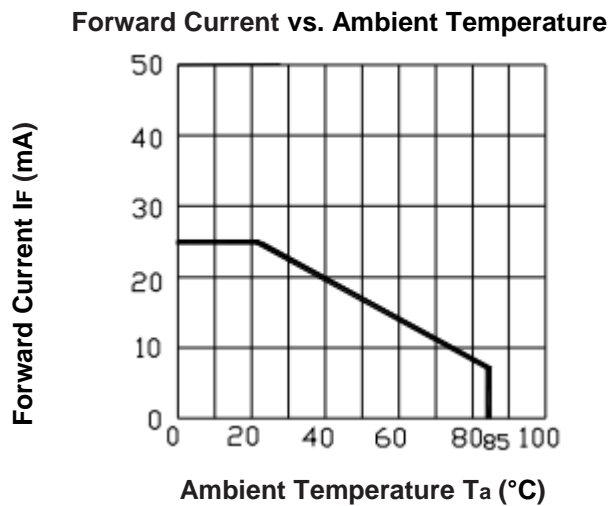
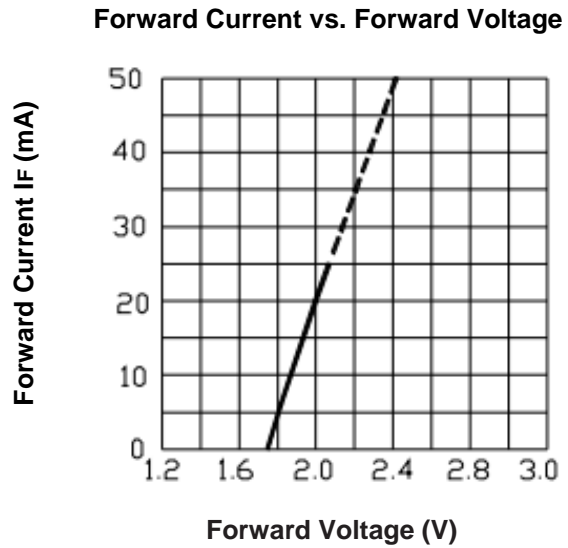
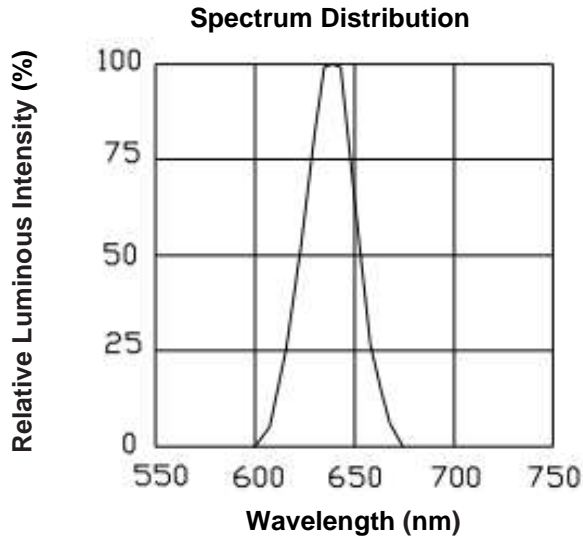
Parameter	Symbol	Value	Unit
Reverse Voltage	VR	5	V
Forward Current	IF	25	mA
Peak Forward Current (Duty 1/10@1KHz)	IFP	160	mA
Power Dissipation	Pd	60	mW
Electrostatic Discharge	ESD	2000	V
Operating Temperature	Topr	-40 ~ +85	°C
Storage Temperature	Tstg	-40 ~ +100	°C
Soldering Temperature (Note.1)	Tsol	260 ±5	°C

Note 1: Soldering time ≤ 5 seconds

Electro-Optical Characteristics (Ta=25°C)

Parameter		Symbol	Min.	Typ.	Max.	Unit	Condition
Luminous Intensity	Per segment	Iv	----	4.5	----	mcd	IF =2mA
			11.0	24.0	----	mcd	IF =10mA
	Per decimal point		----	1.4	----	mcd	IF =2mA
			2.8	6.0	----	mcd	IF =10mA
Peak wavelength		λp	----	632	----	nm	IF =20mA
Dominant wavelength		λd	----	624	----	nm	
Spectrum Radiation Bandwidth		Δλ	----	20	----	nm	
Forward Voltage		VF	----	2.0	2.4	V	
Reverse Current		IR	----	----	100	μA	VR=5V

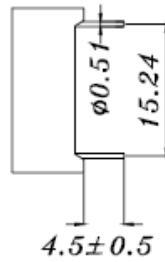
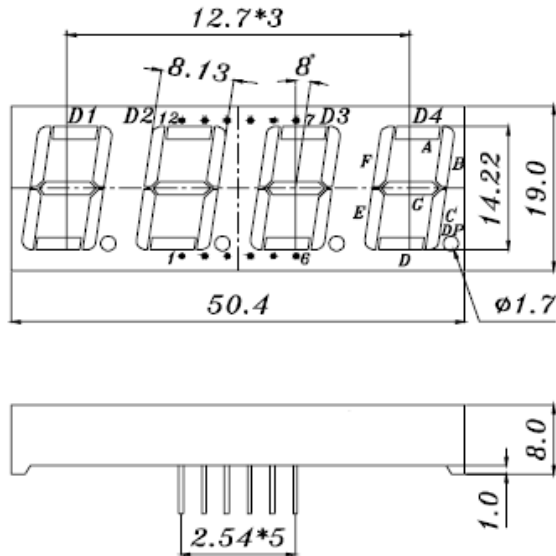
Typical Electro-Optical Characteristics Curves (Ta=25°C)



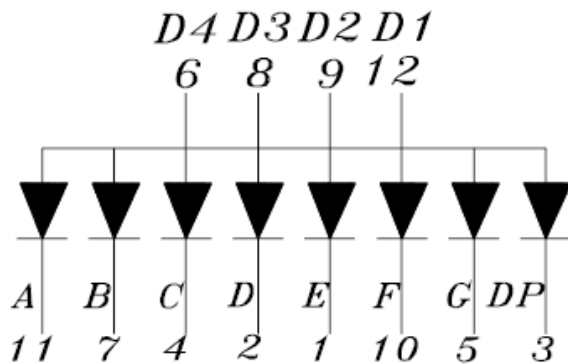
0.56" Quadruple Digit Displays

TDH-Q2Q5626AA4

Package Dimensions (In mm)



- COMMON ANODE**
1. CATHODE E
 2. CATHODE D
 3. CATHODE DP
 4. CATHODE C
 5. CATHODE G
 6. COMMON ANODE D4
 7. CATHODE B
 8. COMMON ANODE D3
 9. COMMON ANODE D2
 10. CATHODE F
 11. CATHODE A
 12. COMMON ANODE D1



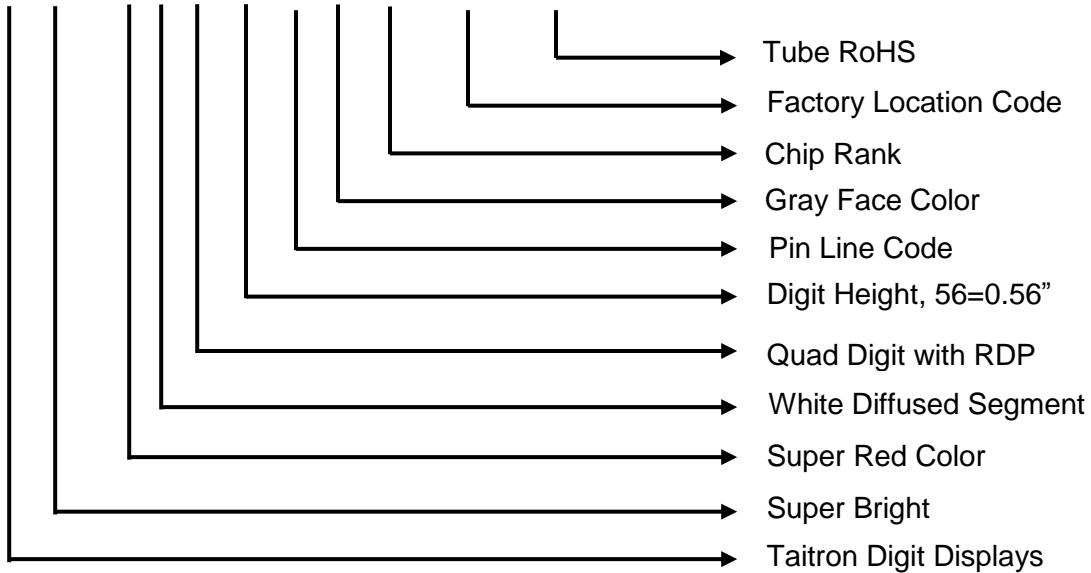
Note: All dimensions are in millimeters, and tolerance is 0.25mm without special declared.

Packing Quantity Specification

Packing Type	PCS per Tube
Tube	10

Ordering Information

TD H - Q 2 Q 56 26 A A4 - 92 - TU

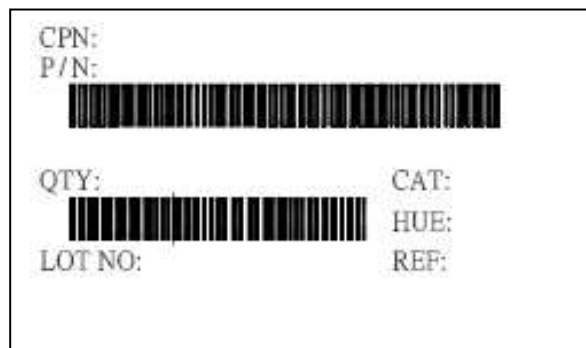


Label Explanation

CAT: Ranks

HUE: Dominant Wavelength Rank

REF: Reference



How to contact us

US HEADQUARTERS

28040 WEST HARRISON PARKWAY, VALENCIA, CA 91355-4162

Tel: (800)-TAITRON (800)-824-8766 (661)-257-6060

Fax: (800)-TAITFAX (800)-824-8329 (661)-257-6415

Email: taitron@taitroncomponents.com

Http://www.taitroncomponents.com

TAITRON COMPONENTS INCORPORATED TAIWAN, TAIPEI

6F., No.190, Sec. 2, Zhongxing Rd., Xindian Dist., New Taipei City 23146, Taiwan R.O.C.

Tel: 886-2-2913-6238

Fax: 886-2-2913-6239

TAITRON COMPONENT TECHNOLOGY, SHANGHAI CORPORATION

METROBANK PLAZA, 1160 WEST YAN'AN ROAD, SUITE 1503, SHANGHAI, 200052, CHINA

Tel: +86-21-5424-9942

Fax: +86-21-2302-5027