

0.56" Dual Digit Displays

Features

- Industrial standard size
- Low power consumption
- Categorized for luminous intensity
- RoHS compliance



D56H8

Descriptions

- The series is a large 14.22mm (0.56") high seven segment display designed for viewing distances up to 7 meters.
- These displays provide excellent reliability in bright ambient light.
- These devices are made with white segment and gray surface.

Applications

- Audio equipment
- Instrument panels
- Digital read out display

Device Selection Guide

Part No.	Chip		Face Color
	Material	Emitted Color	
TDH-F2DH-5686AE2	AllnGaP	Yellowish Green	Gray

Absolute Maximum Ratings ($T_a=25^{\circ}\text{C}$)

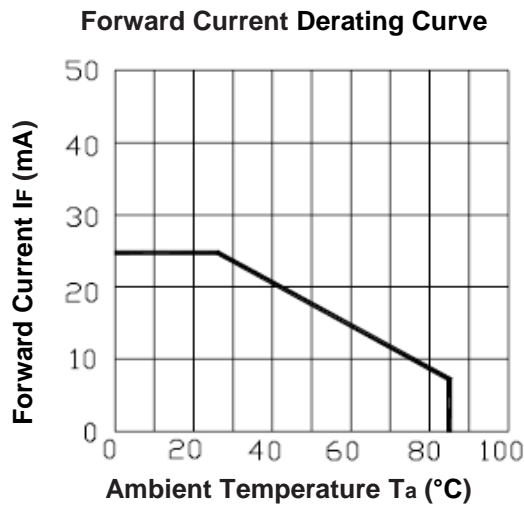
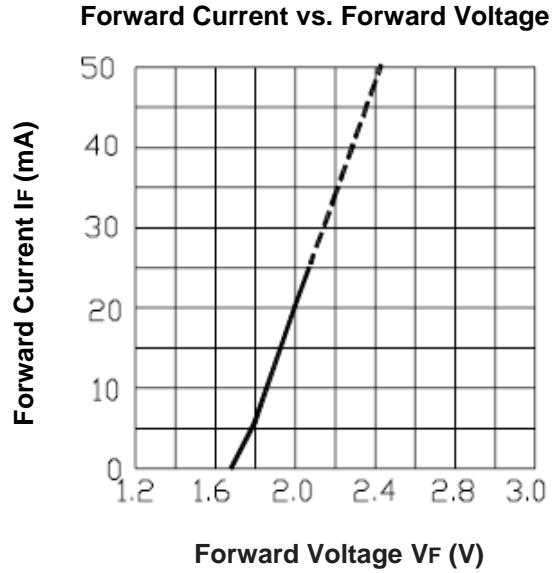
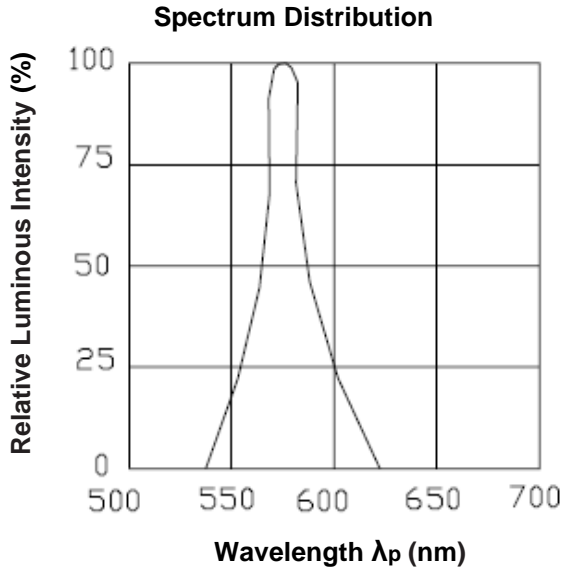
Parameter	Symbol	Value	Unit
Reverse Voltage	VR	5	V
Forward Current	IF	25	mA
Peak Forward Current (Duty 1/10@ 1KHz)	IFP	60	mA
Power Dissipation	Pd	60	mW
Electrostatic Discharge	ESD	2000	V
Operating Temperature	Topr	-40 ~ +85	$^{\circ}\text{C}$
Storage Temperature	Tstg	-40 ~ +100	$^{\circ}\text{C}$
Soldering Temperature (Note 1)	Tsol	260 \pm 5	$^{\circ}\text{C}$

Note 1: Soldering time \leq 5 seconds

Electro-Optical Characteristics ($T_a=25^{\circ}\text{C}$)

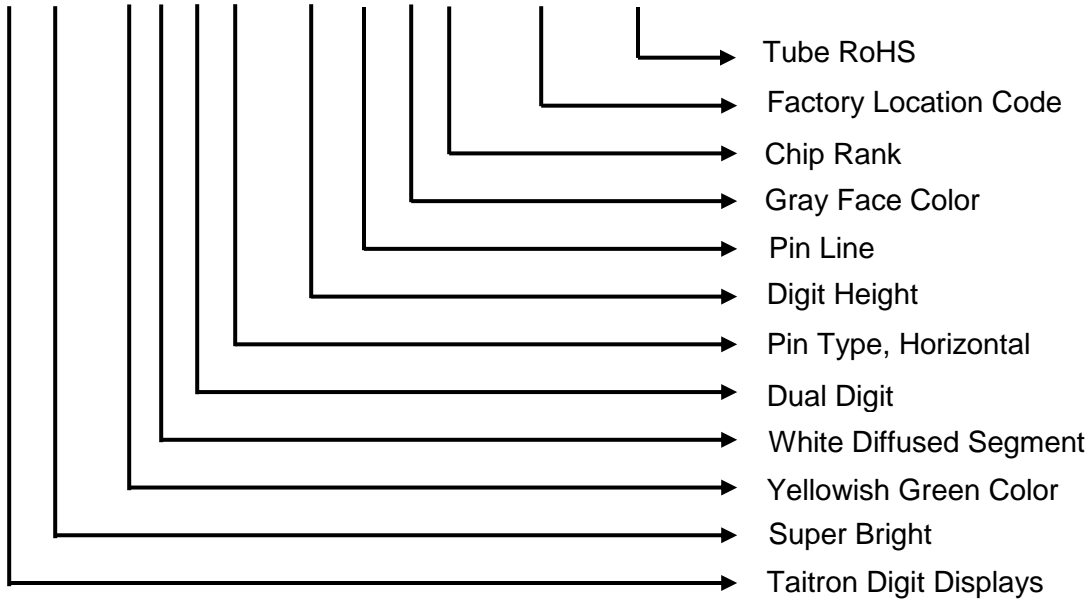
Parameter		Symbol	Min.	Typ.	Max.	Unit	Condition
Luminous Intensity	Per segment	Iv	-----	1.2	-----	mcd	IF =2mA
	Per segment		2.8	6.4	-----	mcd	IF =10mA
	Per decimal point		-----	0.4	-----	mcd	IF =2mA
	Per decimal point		0.7	1.5	-----	mcd	IF =10mA
Peak wavelength		λ_p	-----	575	-----	nm	IF =20mA
Dominant wavelength		λ_d	-----	573	-----	nm	
Spectrum Radiation Bandwidth		$\Delta\lambda$	-----	20	-----	nm	
Forward Voltage		VF	-----	2.0	2.4	V	
Reverse Current		IR	-----	-----	100	μA	VR=5V

Typical Electro-Optical Characteristics Curves (Ta=25°C)



Ordering Information

TD H - F 2 D H - 56 86 A E2 - 92 - TU

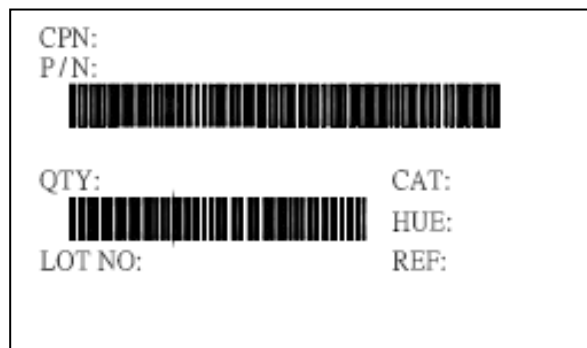


Label Explanation

CAT: Ranks

HUE: Dominant Wavelength Rank

REF: Reference



How to contact us

USA HEADQUARTERS

28040 WEST HARRISON PARKWAY, VALENCIA, CA 91355-4162

Tel: (800)-TAITRON (800)-824-8766 (661)-257-6060

Fax: (800)-TAITFAX (800)-824-8329 (661)-257-6415

Email: taitron@taitroncomponents.com

Http://www.taitroncomponents.com

TAITRON COMPONENTS INCORPORATED TAIWAN BRANCH

6F., NO.190, SEC. 2, ZHONGXING RD., XINDIAN DIST., NEW TAIPEI CITY 23146, TAIWAN R.O.C.

Tel: 886-2-2913-6238

Fax: 886-2-2913-6239

TAITRON COMPONENT TECHNOLOG SHANGHAI CORPORATION

SUITE 1503, METROBANK PLAZA, 1160 WEST YAN'AN ROAD, SHANGHAI, 200052, CHINA

Tel: +86-21-5424-9942

Fax: +86-21-2302-5027