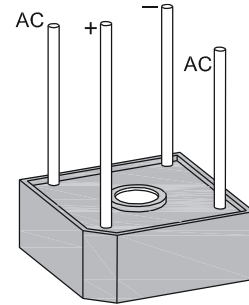


10A Bridge Rectifier

Features

- Diffused junction
- High current capability
- High case dielectric strength
- High surge current capability
- Ideal for printed circuit board application



MP6

Mechanical Data

Case:	MP6, Molded plastic body with Metal Heat Sink
Epoxy:	Meets UL 94V-0 flammability rating
Terminals:	Plated leads solderable per MIL-STD-202 method 208
Polarity:	Marked on case
Mounting Position:	Through hold for #6 screw
Mounting Torque:	10cm·kg (8.8 in·lbs) Max.
Weight:	3.8 grams

Maximum Ratings & Electrical Characteristics ($T_{Ambient}=25^{\circ}C$ unless noted)

Symbols	Parameter	TB1005M	TB101M	TB102M	TB104M	TB106M	TB108M	TB1010M	Unit	Conditions
V_{RRM}	Maximum Repetitive Peak Reverse Voltage	50	100	200	400	600	800	1000	V	
V_{RMS}	Maximum RMS Voltage	35	70	140	280	420	560	700	V	
V_{DC}	Maximum DC Blocking Voltage	50	100	200	400	600	800	1000	V	
I_{F(AV)}	Maximum Average Forward Rectified Current	10							A	TA=50°C, Mounted on metal chassis
I_{FSM}	Peak Forward Surge Current	150							A	8.3ms single half sine-wave superimposed on rated load (JEDEC Method)

10A Bridge Rectifier

TB1005M - TB1010M

Symbols	Parameter	TB1005M	TB101M	TB102M	TB104M	TB106M	TB108M	TB1010M	Unit	Conditions
V_F	Maximum Instantaneous Forward Voltage Drop per leg	1.1							V	$I_F=5A$
I_R	Maximum DC Reverse Current at Rated DC Blocking Voltage per leg	5.0							μA	$T_A=25^\circ C$
		500								$T_A=125^\circ C$
I^2t	Rating for Fusing ($1ms < t < 8.3ms$)	93							A^2S	
C_J	Typical Junction Capacitance	110							pF	$V_R=4V, f=1MHz$
$R_{\theta JC}$	Typical Thermal Resistance per leg	7.5							$^\circ C/W$	Mounted on metal chassis
T_J, T_{STG}	Operating and Storage Temperature Range	-65 to +125							$^\circ C$	

Typical Characteristics Curves

Fig.1- Forward Current Derating Curve

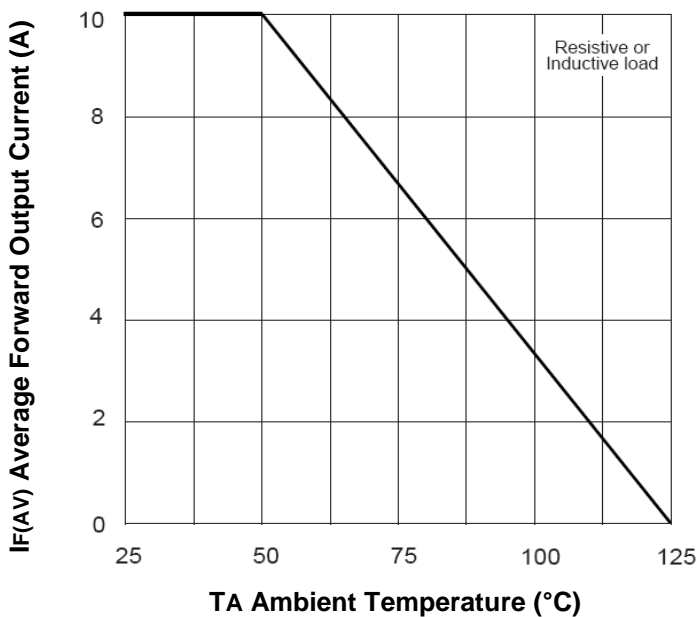
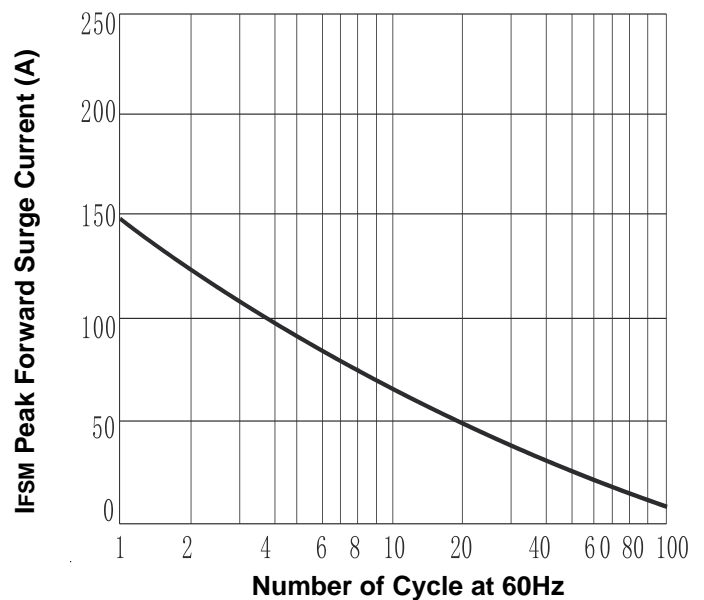


Fig.2- Max. Non-Repetitive Peak Forward Surge Current



10A Bridge Rectifier

TB1005M - TB1010M

Fig.3- Typical Forward Characteristics per leg

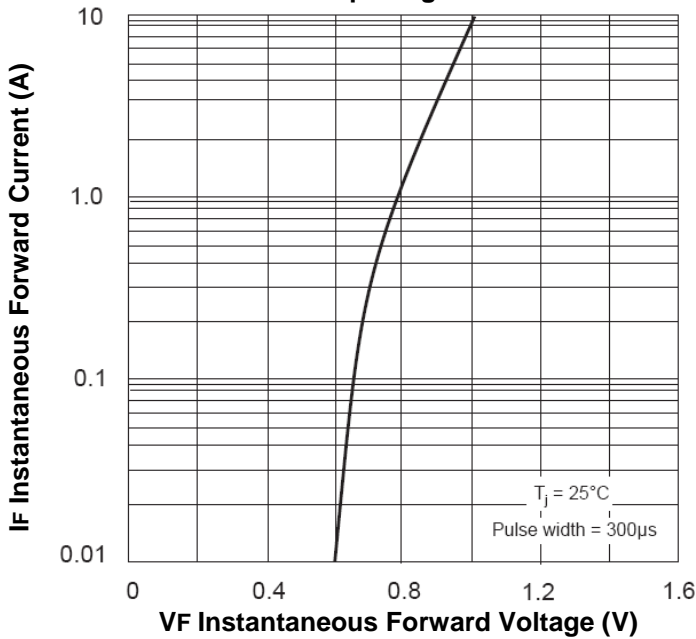
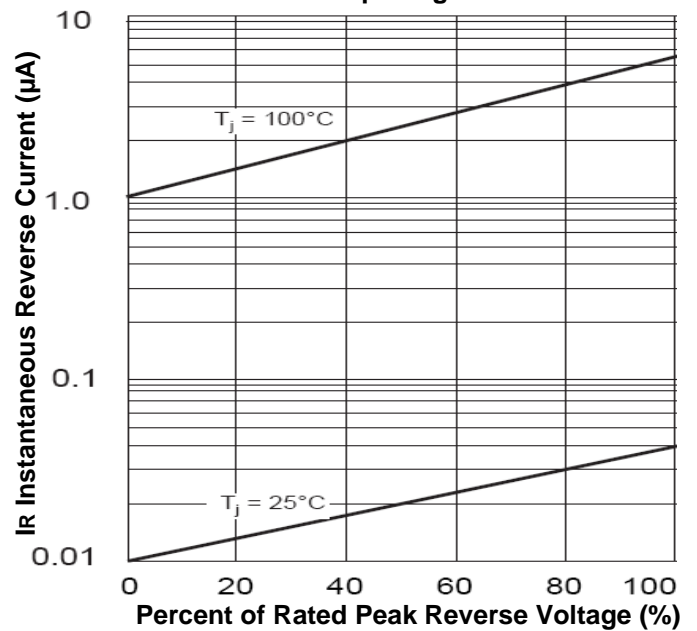
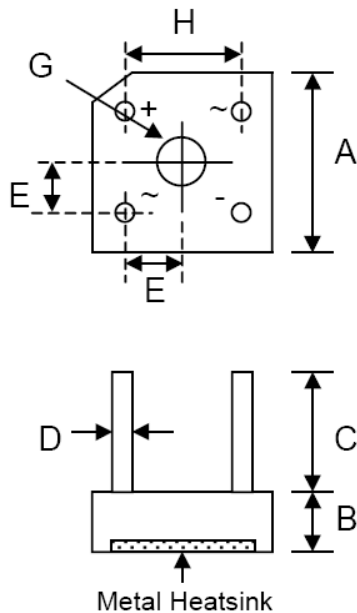


Fig.4- Typical Reverse Characteristics per leg



Dimensions in mm



MP-6		
Dim	Min	Max
A	14.73	15.75
B	5.80	6.90
C	19.00	—
D	1.00 \varnothing Typical	
E	5.11	6.14
G	Hole for #6 screw	
	3.60	4.00
H	10.30	11.30

10A Bridge Rectifier

TB1005M - TB1010M

How to contact us

USA HEADQUARTERS

28040 WEST HARRISON PARKWAY, VALENCIA, CA 91355-4162

Tel: (800)-TAITRON (800)-824-8766 (661)-257-6060

Fax: (800)-TAITFAX (800)-824-8329 (661)-257-6415

Email: taitron@taitroncomponents.com

Http://www.taitroncomponents.com

TAITRON COMPONENTS INCORPORATED TAIWAN BRANCH

6F., NO.190, SEC. 2, ZHONGXING RD., XINDIAN DIST., NEW TAIPEI CITY 23146, TAIWAN R.O.C.

Tel: 886-2-2913-6238

Fax: 886-2-2913-6239

TAITRON COMPONENT TECHNOLOG SHANGHAI CORPORATION

SUITE 1503, METROBANK PLAZA, 1160 WEST YAN'AN ROAD, SHANGHAI, 200052, CHINA

Tel: +86-21-5424-9942

Fax: +86-21-2302-5027