

RCT – TCR=50ppm Chip Resistor

Features

- High performance with T.C.R $\pm 50\text{ppm}/^\circ\text{C}$
- Higher power rating better than thin film product
- Small Size and light weight
- Excellent heat resistance and moisture resistance
- Highly reliable multilayer electrode construction
- Suitable for all soldering process
- RoHS Compliant and Halogen Free



Applications

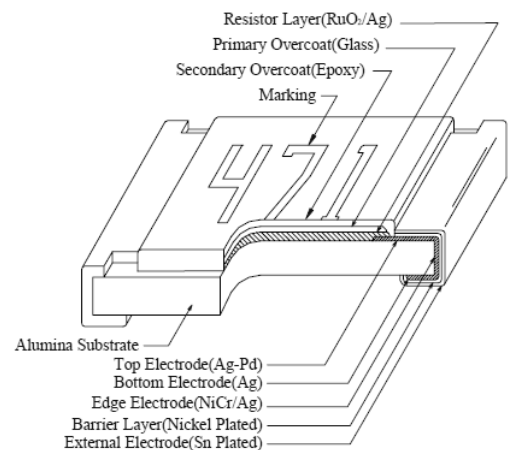
- Automotive industry
- Industry equipment
- Medical equipment
- For laptop and notebook computer, memory module, digital camera and telecommunication equipment



**HALOGEN
FREE**

Constructions

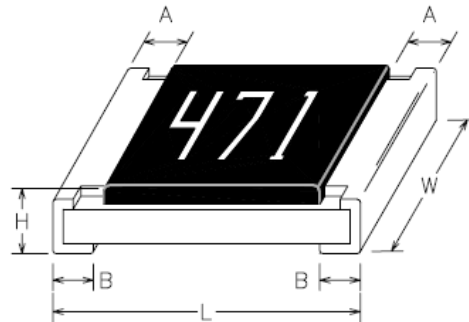
- The resistor is constructed on the alumina substrate body.
- Top electrodes are added to each end and connected with resistive paste on top surface of the alumina substrate.
- The resistive layer is made by resistive paste that is prepared to approach the nominal value.
- Laser trimming process makes the resistance meet the Nominal value
- The resistive layer is protected by primary overcoat and secondary overcoat.
- The barrier layer is added to edge electrodes for plating with external electrode, making the resistor easily mounted on the PCB



RCT - TCR=50ppm Chip Resistor

RCT0402~ RCT2512

Dimensions (in mm)



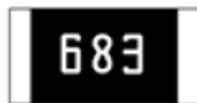
Type	Size Inch (mm)	L	W	H	A	B	Average Weight
RCT0402	0402(1005)	1.00 ± 0.05	0.50± 0.05	0.35 ± 0.05	0.20 ± 0.10	0.20 ± 0.10	0.620 mg
RCT0603	0603(1608)	1.60 ± 0.10	0.80± 0.10	0.45 ± 0.10	0.30 ± 0.20	0.30 ± 0.20	2.042 mg
RCT0805	0805(2012)	2.00 ± 0.10	1.25± 0.10	0.50 ± 0.10	0.35 ± 0.20	0.40 ± 0.20	4.368 mg
RCT1206	1206(3216)	3.10 ± 0.10	1.55± 0.10	0.55 ± 0.10	0.50 ± 0.25	0.50 ± 0.20	8.947 mg
RCT1210	1210(3225)	3.20 ± 0.20	2.60± 0.15	0.55 ± 0.10	0.50 ± 0.25	0.50 ± 0.20	15.959 mg
RCT2010	2010(5025)	5.00 ± 0.20	2.50± 0.15	0.55 ± 0.10	0.60 ± 0.25	0.50 ± 0.20	24.241 mg
RCT2512	2512(6432)	6.35 ± 0.20	3.20± 0.15	0.55 ± 0.10	0.60 ± 0.25	0.50 ± 0.20	39.4481mg

Marking Code

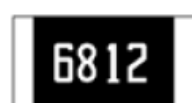
- RCT0402 is without marking due to the size is too small.
- RCT0603~RCT2512:
 - E24 series, 3 digits Code, the first two digits are significant figures; the third digit is number of zeros to follow. Letter "R" is as decimal point;
 - E96 series, 4 digits Code(except 0603 size), the first three digits are significant figures; the fourth digit is number of zeros. Letter "R" is as decimal point;
 - E96 series with special marking code for 0603 Size, see below table (Page 8)



No Marking
Item 1



683 = $68 \times 10^3 \Omega$
= 68K Ω
Item 2.1



6812 = 681×10^2
= 68.1K Ω
Item 2.2



49X = 316×10^{-1}
= 31.6 Ω
Item 2.3

RCT - TCR=50ppm Chip Resistor

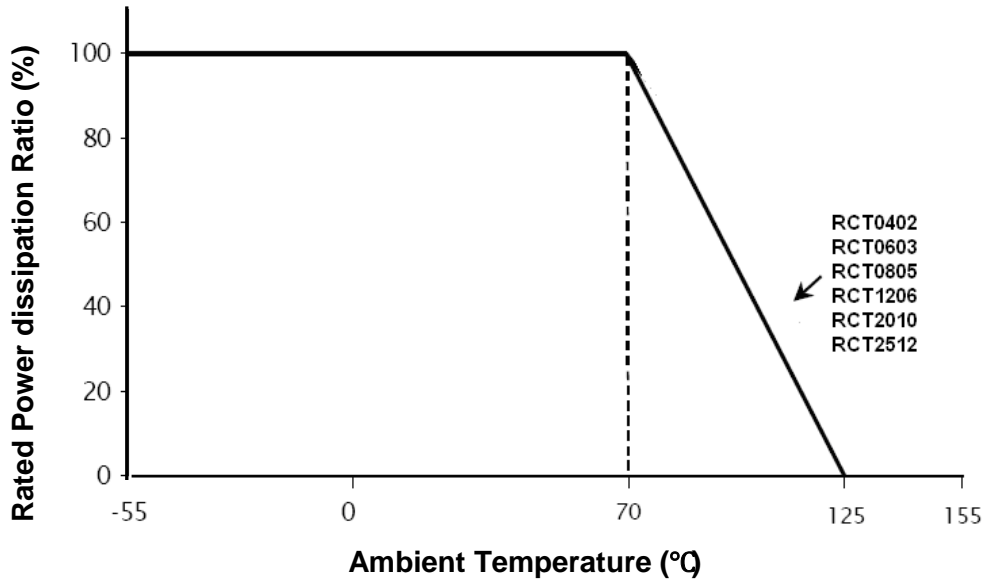
RCT0402~ RCT2512

Absolute Maximum Ratings & Electrical Characteristics

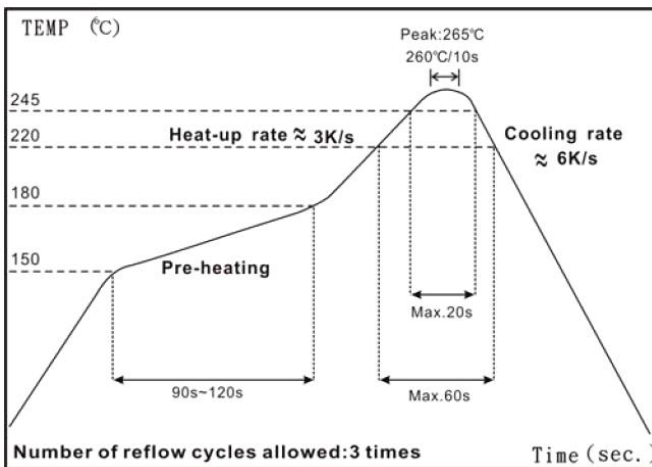
Type	Size Inch (mm)	Tolerance (E24&E96)	Power Rating @70°C	MAX. Working Voltage	MAX. Overload Voltage	T.C.R (ppm/°C)	Resistance Range	Operating Temperature Range
RCT0402	0402(1005)	D:±.5% F: ±1%	1/16W	50V	100V	±50	100Ω ~ 1MΩ	-55°C~+125°C
RCT0603	0603(1608)	B: ±.1% C: ±.25% D:±.5% F: ±1%	1/10W	50V	100V	±50	10Ω ~ 10MΩ	-55°C~+125°C
RCT0805	0805(2012)	B: ±.1% C: ±.25% D:±.5% F: ±1%	1/8W	150V	300V	±50	10Ω ~ 10MΩ	-55°C~+125°C
RCT1206	1206(3216)	B: ±.1% C: ±.25% D:±.5% F: ±1%	1/4W	200V	400V	±50	10Ω ~ 10MΩ	-55°C~+125°C
RCT1210	1210(3225)	B: ±.1% C: ±.25% D:±.5% F: ±1%	1/3W	200V	400V	±50	10Ω ~ 10MΩ	-55°C~+125°C
RCT2010	2010(5025)	B: ±.1% C: ±.25% D:±.5% F: ±1%	3/4W	200V	400V	±50	10Ω ~ 10MΩ	-55°C~+125°C
RCT2512	2512(6432)	B: ±.1% C: ±.25% D:±.5% F: ±1%	1W	250V	500V	±50	10Ω ~ 10MΩ	-55°C~+125°C

Power Derating Curve

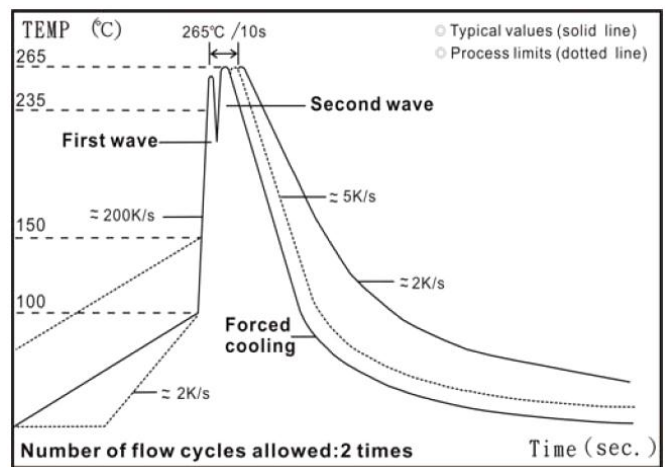
For resistors operate in the ambient temperature over 70°C, loading power ratio will derate in accordance with following curve.



Soldering Condition



IR Reflow soldering



Wave soldering (flow soldering)

RCT - TCR=50ppm Chip Resistor

RCT0402~ RCT2512

Test and Requirements

Test Item	Test Method	Test Condition	Requirement
			±1% & ±.25% & ±.5% & ±1%
Temperature Coefficient of Resistance(T.C.R.)	JIS C 5201 4.8 IEC 60115-1 4.8	-55°C~+125,20°C is the reference temperature	Within the specification
Short Time Overload	JIS C 5201 4.13 IEC 60115-1 4.13	2.5 times Vw or max. overload voltage for 5 seconds	±(1.0%+0.05Ω)
Insulation Resistance	JIS C 5201 4.6 IEC 60115-1 4.6	Max. overload voltage for 1 minute	≥10G
Voltage Proof	JIS C 5201 4.7 IEC 60115-1 4.7	1.42 times Vw (RMS) for 1 minute	no breakdown or flashover
Substrate Bending Test	JIS C 5201 4.33 IEC 60115-1 4.33	Bending once for 5 Seconds,2010,2512 size : 2 mm, other size:3mm	±(1.0%+0.05Ω)
Resistance to soldering heat	JIS C 5201 4.18 IEC 60115 4.18	260±5°C for 10 seconds	±(0.5%+0.05Ω)
Leaching	JIS C 5201 4.18 IEC 60115 4.18	260±5°C for 60 seconds	Individual leaching area ≤5% and total leaching area ≤10%
Solderability	JIS C 5201 4.17 IEC 60115-1 4.17	245±5°C for 3 seconds.	>95% coverage
Endurance at upper category temperature	JIS C 5201 4.23 IEC 60115-1 2.23.2	at +125°C for 1000 hrs	±(1.0%+0.05Ω)
Rapid change of temperature	JIS C 5201 4.19 IEC 60115-1 4.19	-55°C to +125°C, 5 cycles	±(0.5%+0.05Ω)
Damp heat with load	JIS 5201 4.24	40±2°C, 90~95% R.H. and max. working voltage for 1000 hrs with 1.5hrs "ON" and 0.5 hrs "OFF"	±(2.0%+0.10Ω)
Endurance	JIS C 5201 4.25 IEC 60115-1 4.25.1	70±2°C, Vw or Max. working voltage for 1000 hrs with 1.5 hrs "ON" and 0.5 hrs "OFF"	±(2.0%+0.10Ω)

Note: Vw: Rated Continuous Working Voltage

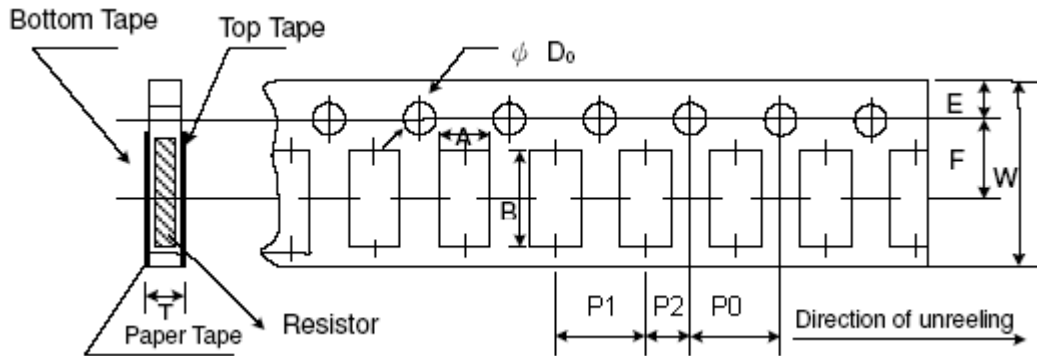
$$Vw = \sqrt{\text{Rated power (P)} \times \text{Resistance value (R)}}$$

RCT - TCR=50ppm Chip Resistor

RCT0402~ RCT2512

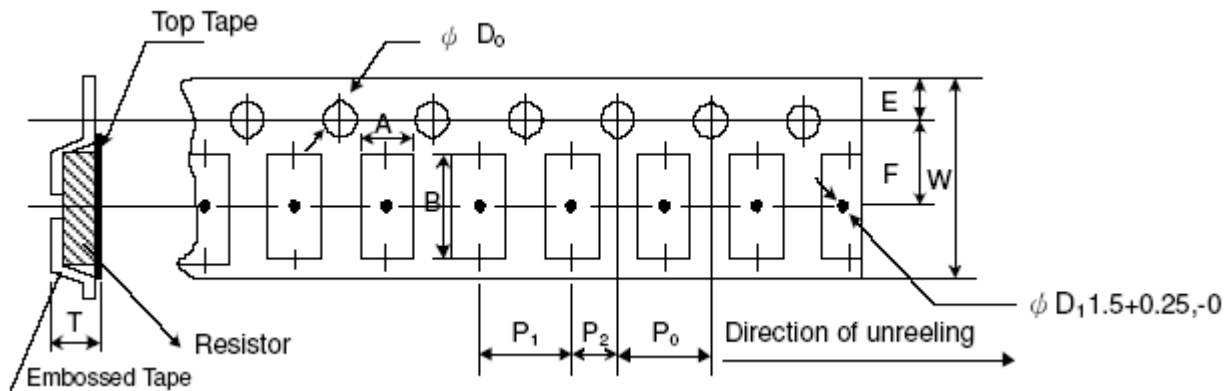
Packing Information:

Paper Tape Dimensions (in mm)



Type	A	B	W	E	F	P0	P1	P2	ψD_0	T
RCT0402	0.65±0.1	1.15±0.1	8.0±0.2	1.75±0.1	3.5±0.05	4.0±0.1	2.0±0.05	2.0±0.05	1.5+0.1/-0	0.45±0.1
RCT0603	1.10±0.1	1.90±0.1	8.0±0.2	1.75±0.1	3.5±0.05	4.0±0.1	4.0±0.05	2.0±0.05	1.5+0.1/-0	0.70±0.1
RCT0805	1.60±0.1	2.40±0.2	8.0±0.2	1.75±0.1	3.5±0.05	4.0±0.1	4.0±0.05	2.0±0.05	1.5+0.1/-0	0.85±0.1
RCT1206	1.90±0.1	3.50±0.2	8.0±0.2	1.75±0.1	3.5±0.05	4.0±0.1	4.0±0.05	2.0±0.05	1.5+0.1/-0	0.85±0.1
RCT1210	2.80±0.1	3.50±0.2	8.0±0.2	1.75±0.1	3.5±0.05	4.0±0.1	4.0±0.05	2.0±0.05	1.5+0.1/-0	0.85±0.1

Embossed Plastic Tape Dimensions(in mm)

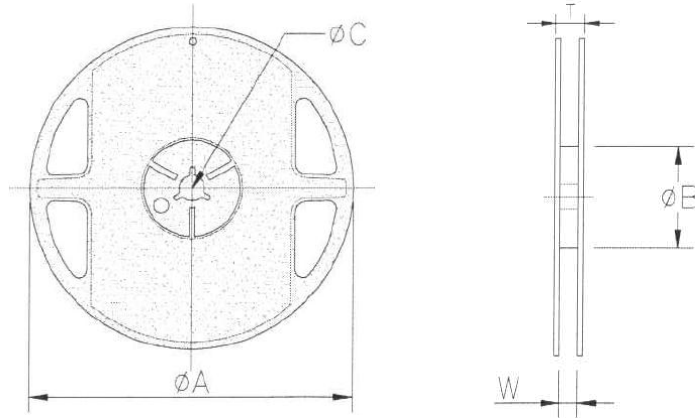


Type	A	B	W	E	F	P0	P1	P2	ψD_0	T
RCT2010	2.80±0.2	5.50±0.2	12.0±0.3	1.75±0.1	5.5±0.05	4.0±0.1	4.0±0.1	2.0±0.05	1.5+0.1/-0	Max1.2
RCT2512	3.50±0.2	6.70±0.2	12.0±0.3	1.75±0.1	5.5±0.05	4.0±0.1	4.0±0.1	2.0±0.05	1.5+0.1/-0	Max1.2

RCT - TCR=50ppm Chip Resistor

RCT0402~ RCT2512

Reel Quantity & Dimensions (in mm)



Type	Reel Diameter	Reel Quantity	ψA	ψB	ψC	W	T
RCT0402	7"	10000	178.5±1.5	60+1/-0	13.0±0.2	9.0±0.5	12.5±0.5
RCT0603		5000					
RCT0805							
RCT1206							
RCT1210							
RCT2010		4000					
RCT2512							

Carton Information

Type	PCS per Carton	Carton Size
RCT0402	600,000	400X400X200 (in mm)
RCT0603	300,000	
RCT0805		
RCT1206		
RCT2010	192,000	
RCT2512		

RCT - TCR=50ppm Chip Resistor

RCT0402~ RCT2512

Recommend Soldering PAD (in mm)

Type	A	B	C	I
RCT0402	1.40	0.60	0.45	0.50
RCT0603	2.10	0.90	0.60	0.90
RCT0805	2.60	1.30	0.70	1.20
RCT1206	3.80	1.60	0.90	2.00
RCT1210	3.80	2.80	0.90	2.00
RCT2010	5.60	2.80	0.90	3.80
RCT2512	7.00	3.50	1.60	3.80

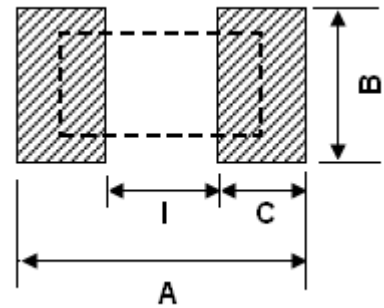


Table - E-96 series Special marking code (0603 Size)

Code	R value	Code	R value	Code	R value	Code	R value	Code	R value	Code	R value	Code	R value	Code	R value
01	100	13	133	25	178	37	237	49	316	61	422	73	562	85	750
02	102	14	137	26	182	38	243	50	324	62	432	74	576	86	768
03	105	15	140	27	187	39	249	51	332	63	442	75	590	87	787
04	107	16	143	28	191	40	255	52	340	64	453	76	604	88	806
05	110	17	147	29	196	41	261	53	348	65	464	77	619	89	825
06	113	18	150	30	200	42	267	54	357	66	475	78	634	90	845
07	115	19	154	31	205	43	274	55	365	67	487	79	649	91	866
08	118	20	158	32	210	44	280	56	374	68	499	80	665	92	887
09	121	21	162	33	215	45	287	57	383	69	511	81	681	93	909
10	124	22	165	34	221	46	294	58	392	70	523	82	698	94	931
11	127	23	169	35	226	47	301	59	402	71	536	83	715	95	953
12	130	24	174	36	232	48	309	60	412	72	549	84	732	96	976

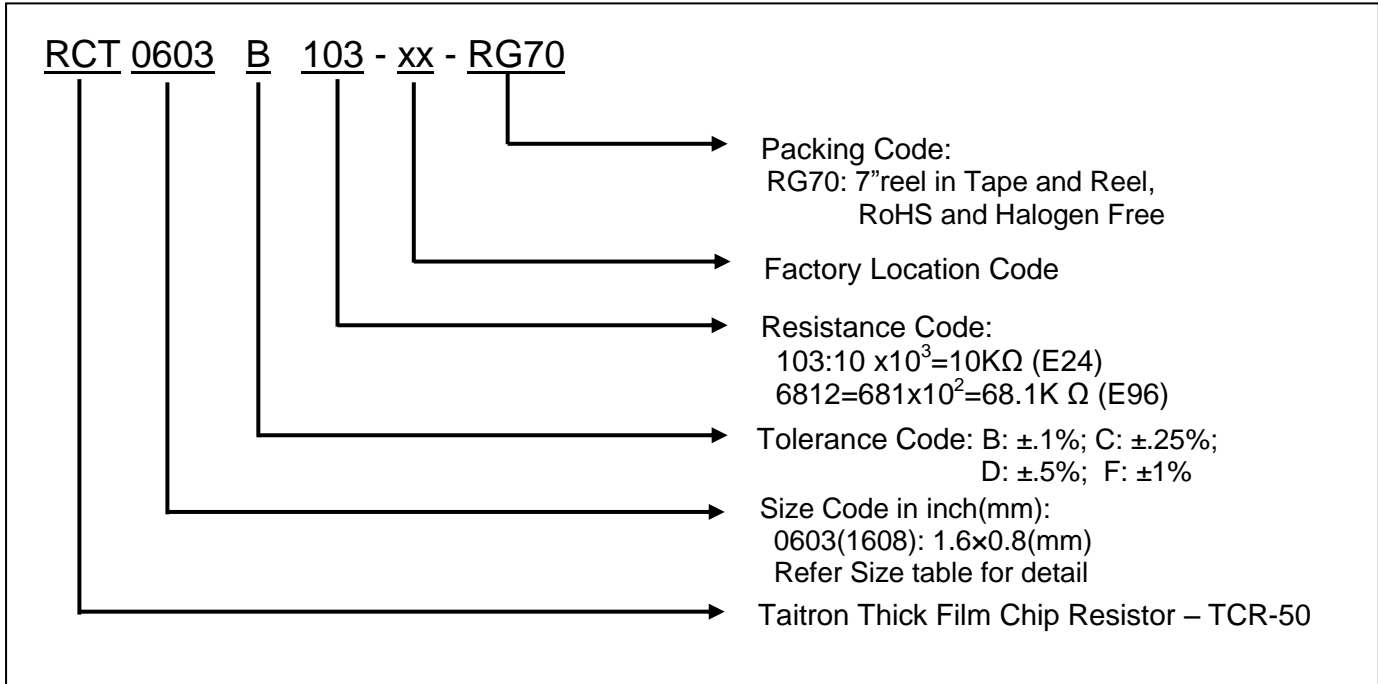
This table shows the first two digits for the three-digit EIA-96 part marking scheme.

The third character is the letter of multiplier: Y=10⁻² X=10⁻¹ A=10⁰ B=10¹ C=10² D=10³ E=10⁴ F=10⁵

RCT - TCR=50ppm Chip Resistor

RCT0402~ RCT2512

How to Order



How to contact us

US HEADQUARTERS

28040 WEST HARRISON PARKWAY, VALENCIA, CA 91355-4162

Tel: (800)-TAITRON (800)-824-8766 (661)-257-6060

Fax: (800)-TAITFAX (800)-824-8329 (661)-257-6415

Email: taitron@taitroncomponents.com

Http://www.taitroncomponents.com

TAITRON COMPONENTS MEXICO, S.A .DE C.V.

BOULEVARD CENTRAL 5000 INTERIOR 5 PARQUE INDUSTRIAL ATITALAQUIA, HIDALGO

C.P. 42970 MEXICO

Tel: +52-55-5560-1519

Fax: +52-55-5560-2190

TAITRON COMPONENTS INCORPORATED TAIWAN, TAIPEI

6F., No.190, Sec. 2, Zhongxing Rd., Xindian Dist., New Taipei City 23146, Taiwan R.O.C.

Tel: 886-2-2913-6238

Fax: 886-2-2913-6239

TAITRON COMPONENT TECHNOLOGY, SHANGHAI CORPORATION

METROBANK PLAZA, 1160 WEST YAN'AN ROAD, SUITE 1503, SHANGHAI, 200052, CHINA

Tel: +86-21-5424-9942

Fax: +86-21-2302-5027