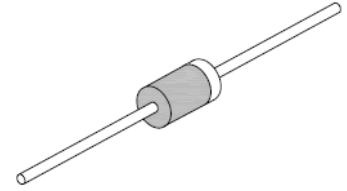


3.0A Fast Recovery Rectifier

Features

- Fast switching for high efficiency
- High surge current capability
- High temperature soldering guaranteed 250°C/10 seconds
/.0375" (9.5mm) lead length, 5lbs (2.3kg) tension



DO-201AD

Mechanical Data

Case:	JEDEC DO-201AD, molded plastic body
Epoxy:	Plastic package has UL flammability classification 94V-0
Terminals:	Plated axial leads, solderable per MIL-STD-750, Method 2026
Polarity:	Color band denotes cathode end
Weight:	1.1 grams

Maximum Ratings and Electrical Characteristics ($T_A=25^\circ\text{C}$ unless noted otherwise)

Symbol	Description	MR850	MR851	MR852	MR854	MR856	MR858	Unit	Conditions
VRRM	Maximum Repetitive Peak Reverse Voltage	50	100	200	400	600	800	V	
VRMS	Maximum RMS Voltage	35	70	140	280	420	560	V	
VDC	Maximum DC Blocking Voltage	50	100	200	400	600	800	V	
IF(AV)	Maximum Average Forward Rectified Current	3.0						A	$T_A=90^\circ\text{C}$
IFSM	Peak Forward Surge Current	200						A	8.3ms single half sine-wave superimposed on rated load (JEDEC method)
VF	Maximum Instantaneous Forward Voltage	1.3						V	$I_F=3.0\text{A}$

3.0A Fast Recovery Rectifier

MR850 - MR858

Symbol	Description	MR850	MR851	MR852	MR854	MR856	MR858	Unit	Conditions
I_R	Maximum DC Reverse Current at Rated DC Blocking Voltage	10						μA	TA=25° C
		150	200	250	300	500	TA=100° C		
T_{rr}	Typical Reverse Recovery Time	150				250	500	nS	IF=0.5A, IR=1A, Irr=0.25A
R_{thJA} R_{thJL}	Typical Thermal Resistance	22 8.0						°C / W	Note
C_J	Typical Junction Capacitance	28						pF	VR=4V, f=1MHz
T_J	Operating Temperature range	-50 to +150						°C	
T_{STG}	Storage Temperature Range	-50 to +150							

Note: Thermal resistance from junction to ambient and from junction to lead at 0.375"(9.5mm) lead length, with both leads equally heat sink.

Typical Characteristics Curves

Fig.1-Max. Forward Current Derating Curve

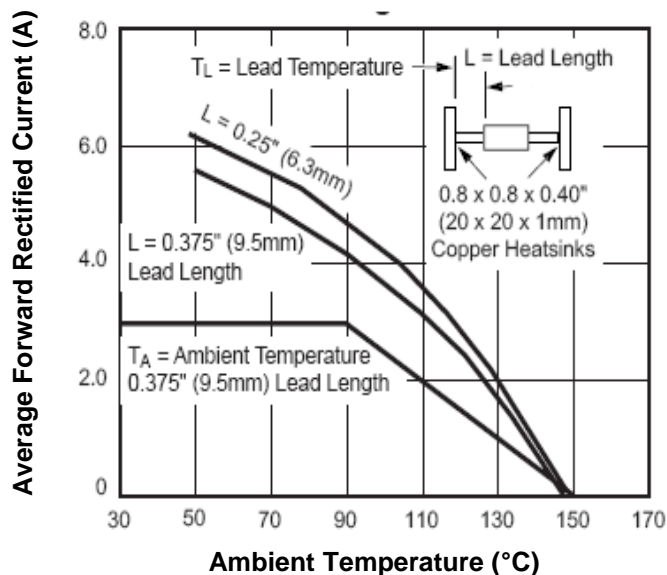
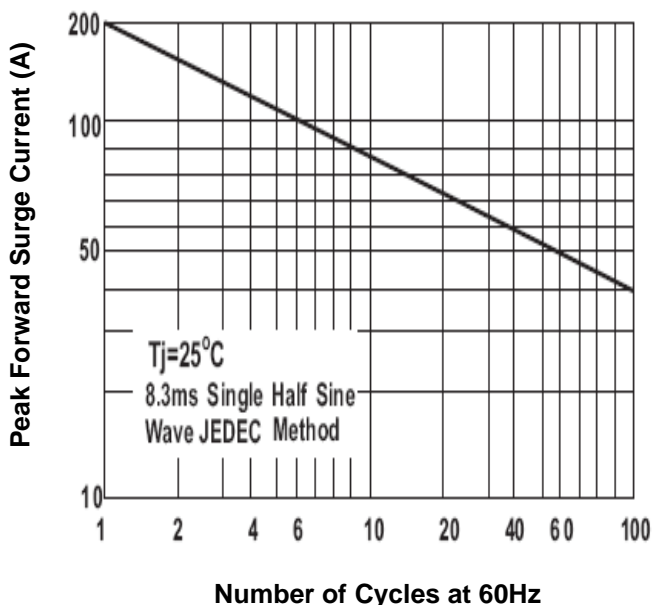


Fig.2-Max. Non-Repetitive Forward Surge Current



3.0A Fast Recovery Rectifier

MR850 - MR858

Fig.3- Typical Forward Characteristics

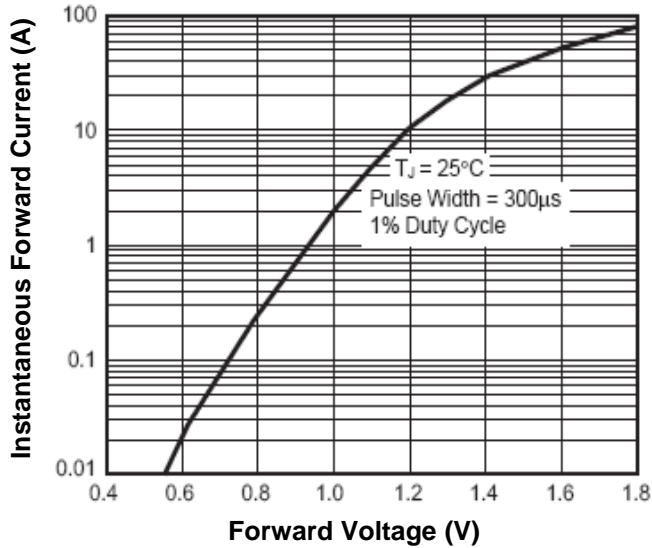
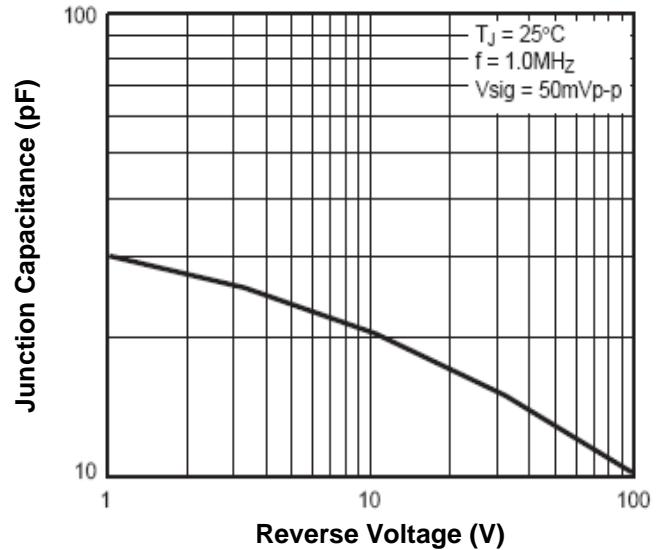
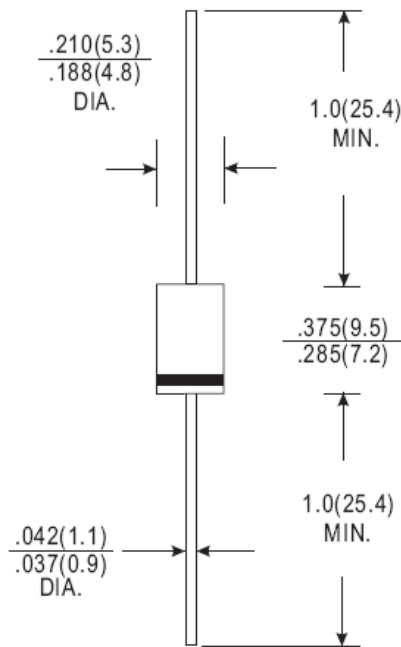


Fig.4- Typical Junction Capacitance



Dimensions in inches (mm)



D0-201AD

3.0A Fast Recovery Rectifier

MR850 – MR858

How to contact us

USA HEADQUARTERS

28040 WEST HARRISON PARKWAY, VALENCIA, CA 91355-4162

Tel: (800)-TAITRON (800)-824-8766 (661)-257-6060

Fax: (800)-TAITFAX (800)-824-8329 (661)-257-6415

Email: taitron@taitroncomponents.com

Http://www.taitroncomponents.com

TAITRON COMPONENTS INCORPORATED TAIWAN BRANCH

6F., NO.190, SEC. 2, ZHONGXING RD., XINDIAN DIST., NEW TAIPEI CITY 23146, TAIWAN R.O.C.

Tel: 886-2-2913-6238

Fax: 886-2-2913-6239

TAITRON COMPONENT TECHNOLOG SHANGHAI CORPORATION

SUITE 1503, METROBANK PLAZA, 1160 WEST YAN'AN ROAD, SHANGHAI, 200052, CHINA

Tel: +86-21-5424-9942

Fax: +86-21-2302-5027