

## Radial Metallized Polyester Film Capacitor (Dipped)

### Features

- Metallized polyester film, non-inductive wound construction
- Wide capacitance range, small size and light weight
- Long life due to self-healing effect
- Flame retardation epoxy resin powder coated
- RoHS compliant



### Typical Applications

- Suitable for blocking, by-pass and coupling of DC and signals to VHF range
- Widely used in filter and low pulse circuits

### Specification

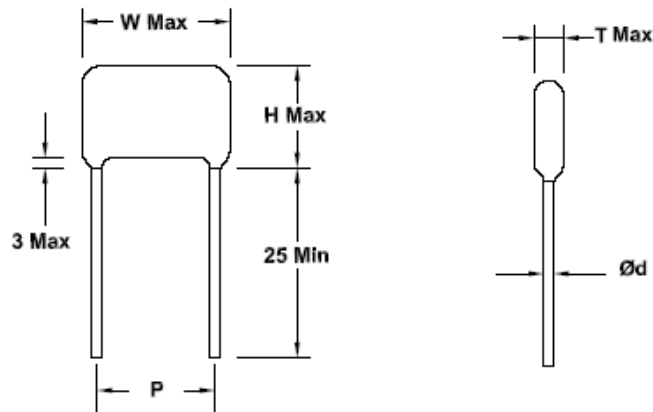
Description	Symbol	Value	Conditions
Reference Standard		GB/T 7332 (IEC 60384-2)	-
Climatic Category	T <sub>CL</sub> /T <sub>CU</sub> /Day	55/105/21	Lower Category Temp. /Upper Category Temp./Number of Days
Rated Temperature	T <sub>R</sub>	85°C	-
Operation Temperature Range(Top)	T <sub>OP</sub>	-55°C ~ +105°C	+85°C to +105°C: decreasing factor 1.25% per °C for VR(dc)
Capacitance Range	C <sub>R</sub>	0.010μF~10.0μF	-
Capacitance Tolerance		± 5%(J), ± 10%(K), ± 20%(M)	23±1°C, RH=50±2%
Rated Voltage	U <sub>Rdc</sub>	50/63V,100V,250V,400V,630V	50/60Hz, <=85 °C
Withstanding Test Voltage	U <sub>OL</sub>	1.6U <sub>Rdc</sub>	5s
Dissipation Factor	tan δ	≤1.0%	20°C,1KHz,1Vrms
Insulation Resistance	U <sub>R</sub> >100V, C <sub>R</sub> ≤0.33μF	R <sub>INS</sub>	≥30,000MΩ
	U <sub>R</sub> >100V, C <sub>R</sub> >0.33μF		≥10,000s
	U <sub>R</sub> ≤100V, C <sub>R</sub> ≤0.33μF	≥15,000MΩ	20°C,10V,1 min
	U <sub>R</sub> ≤100V, C <sub>R</sub> >0.33μF	≥5,000s	

# Metallized Polyester Film Capacitors

## MPEF Series

Description	Symbol	Value						Conditions
		P=5	P=7.5	P=10	P=15	P=22.5	P=27.5	
Rated Voltage Pulse Slope If working voltage(U) is lower than UR $dv/dt(\text{Max})$ $=dv/dt(\text{Rated}) * UR / U$	$dv/dt$ (V/us)							Pitch (mm)
		9	7.5	6	3	2	-	$U_{Rdc}=50V/63V$
		20	15	9	5	3	-	$U_{Rdc}=100V$
		-	30	20	12	8	5	$U_{Rdc}=250V$
		-	40	30	20	10	7	$U_{Rdc}=400V$
		-	-	40	25	12	10	$U_{Rdc}=630V$

### Dimensions:



PN	Cap. ( $\mu\text{F}$ )	Rated Voltage	W (max.)	P $\pm$ 1.0	H (max.)	T (max.)	d $\pm$ 0.05
		(VDC)					
MPEF103*250-9.8P7.5S	0.01	250	9.8	7.5	6.5	3.5	0.6
MPEF103*250-13P10S		250	13	10	10	5	0.6
MPEF103*400-9.8P7.5S		400	9.8	7.5	6.9	3.9	0.6
MPEF103*630-13P10S		630	13	10	10	5.5	0.6
MPEF123*250-9.8P7.5S	0.012	250	9.8	7.5	6.7	3.7	0.6
MPEF123*400-9.8P7.5S		400	9.8	7.5	7.1	4.1	0.6
MPEF123*630-12.3P10S		630	12.3	10	7.6	4	0.6
MPEF153*250-9.8P7.5S	0.015	250	9.8	7.5	7.4	3.8	0.6
MPEF153*400-9.8P7.5S		400	9.8	7.5	7.5	4.4	0.6
MPEF153*630-12.3P10S		630	12.3	10	7.7	4	0.6

# Metallized Polyester Film Capacitors

## MPEF Series

PN	Cap. (μF)	Rated Voltage	W (max.)	P±1.0	H (max.)	T (max.)	d±0.05
MPEF183*250-9.8P7.5S	0.018	250	9.8	7.5	7.6	4	0.6
MPEF183*400-9.8P7.5S		400	9.8	7.5	7.3	3.7	0.6
MPEF183*630-12.3P10S		630	12.3	10	7.9	4.2	0.6
MPEF223*250-9.8P7.5S	0.022	250	9.8	7.5	7.4	3.8	0.6
MPEF223*400-9.8P7.5S		400	9.8	7.5	7.5	3.9	0.6
MPEF223*630-12.3P10S		630	12.3	10	8.2	4.5	0.6
MPEF273*250-9.8P7.5S	0.027	250	9.8	7.5	7.7	4.1	0.6
MPEF273*400-9.8P7.5S		400	9.8	7.5	7.8	4.2	0.6
MPEF273*630-12.3P10S		630	12.3	10	8.5	4.9	0.6
MPEF333*250-9.8P7.5S	0.033	250	9.8	7.5	7.3	3.7	0.6
MPEF333*250-13P10S		250	13	10	9.5	6	0.6
MPEF333*250-18.5P15S		250	18.5	15	13	8	0.6
MPEF333*400-9.8P7.5S		400	9.8	7.5	8.1	4.5	0.6
MPEF333*630-12.3P10S		630	12.3	10	8.9	5.2	0.6
MPEF333*630-24P20S		630	24	20	21.5	13	0.6
MPEF393*250-9.8P7.5S	0.039	250	9.8	7.5	7.5	3.9	0.6
MPEF393*400-9.8P7.5S		400	9.8	7.5	8.2	4.6	0.6
MPEF393*630-12.3P10S		630	12.3	10	9.2	5.6	0.6
MPEF473*250-9.8P7.5S	0.047	250	9.8	7.5	7.8	4.1	0.6
MPEF473*250-13P10S		250	13	10	10	5.5	0.6
MPEF473*400-9.8P7.5S		400	9.8	7.5	8.6	4.9	0.6
MPEF473*400-13P10S		400	13	10	9.0	5.5	0.6
MPEF473*630-12.3P10S		630	12.3	10	9.7	6	0.6
MPEF563*250-9.8P7.5S		0.056	250	9.8	7.5	8	4.4
MPEF563*250-13P10S	250		13	10	9.5	5	0.6
MPEF563*400-12.3P10S	400		12.3	10	8.8	4.3	0.6
MPEF563*630-12.3P10S	630		12.3	10	10.1	6.5	0.6
MPEF683*250-9.8P7.5S	0.068	250	9.8	7.5	7.5	3.9	0.6
MPEF683*400-13P10S		400	13	10	9	5.5	0.6
MPEF683*630-12.3P10S		630	12.3	10	10.7	7	0.6
MPEF823*250-9.8P7.5S	0.082	250	9.8	7.5	7.8	4.1	0.6
MPEF823*400-12.3P10S		400	12.3	10	9.4	5	0.6
MPEF823*630-12.3P10S		630	12.3	10	11.3	7.6	0.6
MPEF104*250-9.8P7.5S	0.1	250	9.8	7.5	8.1	4.4	0.6
MPEF104*250-13.5P10S		250	13.5	10	10	6.5	0.6
MPEF104*400-12.3P10S		400	12.3	10	9.9	5.4	0.6
MPEF104*630-17.5P15S		630	17.5	15	11.5	6.3	0.6
MPEF104*630-19P15S		630	19	15	15	9	0.6

# Metallized Polyester Film Capacitors

## MPEF Series

PN	Cap. (μF)	Rated Voltage	W (max.)	P±1.0	H (max.)	T (max.)	d±0.05
MPEF124*50-9.8P7.5S	0.12	50	9.8	7.5	7	4	0.6
MPEF124*63-9.8P7.5S		63	9.8	7.5	7	4	0.6
MPEF124*100-9.8P7.5S		100	9.8	7.5	7	4	0.6
MPEF124*250-9.8P7.5S	0.12	250	9.8	7.5	8.4	4.8	0.6
MPEF124*400-12.3P10S		400	12.3	10	10.3	5.9	0.6
MPEF124*630-17.5P15S		630	17.5	15	12	6.8	0.6
MPEF154*50-9.8P7.5S	0.15	50	9.8	7.5	7.8	4.1	0.6
MPEF154*63-9.8P7.5S		63	9.8	7.5	7.8	4.1	0.6
MPEF154*100-9.8P7.5S		100	9.8	7.5	7.8	4.1	0.6
MPEF154*250-9.8P7.5S		250	9.8	7.5	8.8	5.2	0.6
MPEF154*400-17.5P15S		400	17.5	15	10.6	5.4	0.6
MPEF154*630-17.5P15S		630	17.5	15	12.7	7.5	0.8
MPEF184*50-9.8P7.5S	0.18	50	9.8	7.5	7.5	3.9	0.6
MPEF184*63-9.8P7.5S		63	9.8	7.5	7.5	3.9	0.6
MPEF184*100-9.8P7.5S		100	9.8	7.5	7.5	3.9	0.6
MPEF184*250-12.3P10S		250	12.3	10	8.9	4.5	0.6
MPEF184*400-17.5P15S		400	17.5	15	11	5.8	0.6
MPEF184*630-17.5P15S		630	17.5	15	13.8	8.1	0.8
MPEF224*50-9.8P7.5S	0.22	50	9.8	7.5	7.8	4.1	0.6
MPEF224*63-9.8P7.5S		63	9.8	7.5	7.8	4.1	0.6
MPEF224*100-9.8P7.5S		100	9.8	7.5	7.8	4.1	0.6
MPEF224*250-12.3P10S		250	12.3	10	9.3	4.8	0.6
MPEF224*250-13P10S		250	13	10	11	6	0.6
MPEF224*250-18P15S		250	18	15	10	5.5	0.6
MPEF224*400-17.5P15S		400	17.5	15	11.5	6.3	0.6
MPEF224*630-17.5P15S		630	17.5	15	14.5	9.3	0.8
MPEF274*50-9.8P7.5S	0.27	50	9.8	7.5	8.1	4.5	0.6
MPEF274*63-9.8P7.5S		63	9.8	7.5	8.1	4.5	0.6
MPEF274*100-9.8P7.5S		100	9.8	7.5	8.1	4.5	0.6
MPEF274*250-12.3P10S		250	12.3	10	9.7	5.3	0.6
MPEF274*400-17.5P15S		400	17.5	15	12	6.8	0.6
MPEF274*630-17.5P15S		630	17.5	15	15.4	10.2	0.8
MPEF334*50-9.8P7.5S	0.33	50	9.8	7.5	7.7	4.1	0.6
MPEF334*63-9.8P7.5S		63	9.8	7.5	7.7	4.1	0.6
MPEF334*100-9.8P7.5S		100	9.8	7.5	8.5	4.8	0.6
MPEF334*250-12.3P10S		250	12.3	10	10.7	5.5	0.6
MPEF334*400-17.5P15S		400	17.5	15	12.7	7.4	0.6
MPEF334*630-17.5P15S		630	17.5	15	16.3	11.1	0.8

# Metallized Polyester Film Capacitors

## MPEF Series

PN	Cap. (μF)	Rated Voltage	W (max.)	P±1.0	H (max.)	T (max.)	d±0.05
MPEF394*50-9.8P7.5S	0.39	50	9.8	7.5	8	4.3	0.6
MPEF394*63-9.8P7.5S		63	9.8	7.5	8	4.3	0.6
MPEF394*100-9.8P7.5S		100	9.8	7.5	8.8	5.2	0.6
MPEF394*250-17.5P15S		250	17.5	15	10.4	5.2	0.6
MPEF394*400-17.5P15S		400	17.5	15	13.7	8	0.8
MPEF394*630-17.5P15S		630	17.5	15	17.2	12	0.8
MPEF474*50-9.8P7.5S		0.47	50	9.8	7.5	8.3	4.6
MPEF474*63-9.8P7.5S	63		9.8	7.5	8.3	4.6	0.6
MPEF474*100-9.8P7.5S	100		9.8	7.5	9.2	5.6	0.6
MPEF474*250-18P15S	250		18	15	13	8	0.6
MPEF474*400-17.5P15S	400		17.5	15	14.4	9.2	0.8
MPEF474*400-24P20S	400		24	20	18	10	0.8
MPEF474*630-25.2P22.5S	630		25.2	22.5	16.4	9.7	0.8
MPEF564*50-9.8P7.5S	0.56	50	9.8	7.5	8.6	5	0.6
MPEF564*63-9.8P7.5S		63	9.8	7.5	8.6	5	0.6
MPEF564*100-12.3P10S		100	12.3	10	8.8	5.2	0.6
MPEF564*250-17.5P15S		250	17.5	15	12.3	5.5	0.6
MPEF564*400-17.5P15S		400	17.5	15	15.1	9.9	0.8
MPEF564*450-17P15S		450	17.5	15	13.5	8.5	0.8
MPEF564*630-25.2P22.5S		630	25.2	22.5	17.2	10.5	0.8
MPEF684*50-9.8P7.5S	0.68	50	9.8	7.5	9	5.4	0.6
MPEF684*63-9.8P7.5S		63	9.8	7.5	9	5.4	0.6
MPEF684*100-12.3P10S		100	12.3	10	9.3	5.6	0.6
MPEF684*250-17.5P15S		250	17.5	15	12.8	6	0.6
MPEF684*400-17.5P15S		400	17.5	15	16	10.8	0.8
MPEF684*630-25.2P22.5S		630	25.2	22.5	18.2	11.4	0.8
MPEF824*50-12.3P10S	0.82	50	12.3	10	8.6	5	0.6
MPEF824*63-12.3P10S		63	12.3	10	8.6	5	0.6
MPEF824*100-12.3P10S		100	12.3	10	9.7	6.1	0.6
MPEF824*250-17.5P15S		250	17.5	15	13.8	6.5	0.6
MPEF824*400-17.5P15S		400	17.5	15	17	11.8	0.8
MPEF824*630-25.2P22.5S		630	25.2	22.5	19.3	12.5	0.8
MPEF105*50-12.3P10S	1	50	12.3	10	9	5.4	0.6
MPEF105*63-12.3P10S		63	12.3	10	9	5.4	0.6
MPEF105*100-12.3P10S		100	12.3	10	10.3	6.6	0.6
MPEF105*250-17.5P15S		250	17.5	15	14.4	7.1	0.6
MPEF105*250-24P20S		250	24	17	20	9.5	0.6
MPEF105*400-25.2P22.5S		400	25.2	22.5	17.5	9.1	0.8
MPEF105*630-30.2P27.5S		630	30.2	27.5	19.9	11.6	0.8

# Metallized Polyester Film Capacitors

## MPEF Series

PN	Cap. (μF)	Rated Voltage	W (max.)	P±1.0	H (max.)	T (max.)	d±0.05
MPEF125*50-12.3P10S	1.2	50	12.3	10	9.5	5.9	0.6
MPEF125*63-12.3P10S		63	12.3	10	9.5	5.9	0.6
MPEF125*100-12.3P10S		100	12.3	10	10.9	7.2	0.6
MPEF125*250-17.5P15S		250	17.5	15	15	7.7	0.8
MPEF125*400-25.2P22.5S		400	25.2	22.5	18.3	9.9	0.8
MPEF125*630-30.2P27.5S		630	30.2	27.5	22	12.6	0.8
MPEF155*50-12.3P10S	1.5	50	12.3	10	10.1	6.5	0.6
MPEF155*63-12.3P10S		63	12.3	10	10.1	6.5	0.6
MPEF155*100-12.3P10S		100	12.3	10	11.6	8	0.6
MPEF155*250-17.5P15S		250	17.5	15	15.9	9.1	0.8
MPEF155*250-23P20S		250	23	20	17.5	10	0.8
MPEF155*400-25.2P22.5S		400	25.2	22.5	19.4	11	0.8
MPEF155*630-30.2P27.5S	630	30.2	27.5	22.5	14.1	0.8	
MPEF185*50-12.3P10S	1.8	50	12.3	10	10.7	7.1	0.6
MPEF185*63-12.3P10S		63	12.3	10	10.7	7.1	0.6
MPEF185*100-17.5P15S		100	17.5	15	13.6	6.3	0.6
MPEF185*250-17.5P15S		250	17.5	15	16.2	9.9	0.8
MPEF185*400-30.2P27.5S		400	30.2	27.5	19.1	10.8	0.8
MPEF185*630-30.2P27.5S		630	30.2	27.5	23.8	15.5	0.8
MPEF106*50-25.2P22.5S	10	50	25.2	22.5	16.7	10	0.8
MPEF106*63-25.2P22.5S		63	25.2	22.5	16.7	10	0.8
MPEF106*100-25.2P22.5S		100	25.2	22.5	21	11.1	0.8
MPEF106*250-30.2P27.5S		250	30.2	27.5	23.9	15.5	0.8
MPEF225*50-17.5P15S	2.2	50	17.5	15	11.4	6.1	0.6
MPEF225*63-17.5P15S		63	17.5	15	11.4	6.1	0.6
MPEF225*100-17.5P15S		100	17.5	15	14.2	6.9	0.8
MPEF225*250-25.2P22.5S		250	25.2	22.5	15.6	8.8	0.8
MPEF225*400-30.2P27.5S		400	30.2	27.5	21.2	11.3	0.8
MPEF225*630-30.2P27.5S		630	30.2	27.5	25.5	17.1	0.8
MPEF275*50-17.5P15S	2.7	50	17.5	15	11.9	6.7	0.6
MPEF275*63-17.5P15S		63	17.5	15	11.9	6.7	0.6
MPEF275*100-17.5P15S		100	17.5	15	14.9	7.6	0.8
MPEF275*250-25.2P22.5S		250	25.2	22.5	16.5	9.7	0.8
MPEF275*400-30.2P27.5S		400	30.2	27.5	22.4	12.5	0.8
MPEF335*50-17.5P15S	3.3	50	17.5	15	12.5	7.3	0.6
MPEF335*63-17.5P15S		63	17.5	15	12.5	7.3	0.6
MPEF335*100-17.5P15S		100	17.5	15	15.7	8.4	0.8
MPEF335*250-25.2P22.5S		250	25.2	22.5	17.4	10.6	0.8
MPEF335*400-30.2P27.5S		400	30.2	27.5	23.8	13.9	0.8

# Metallized Polyester Film Capacitors

## MPEF Series

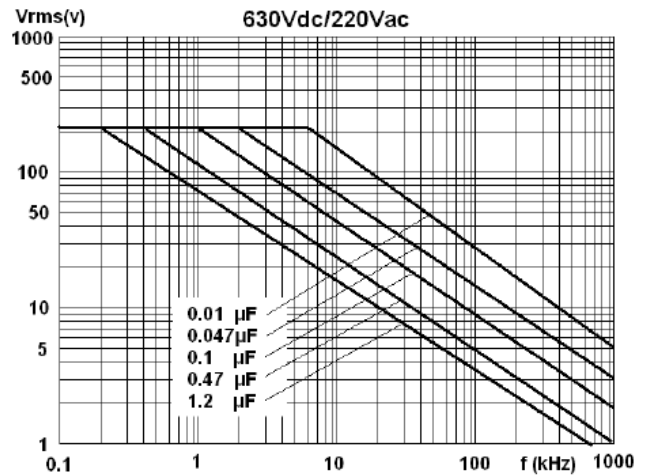
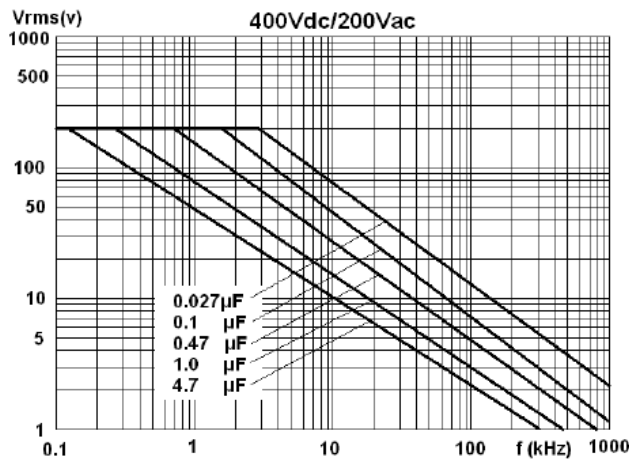
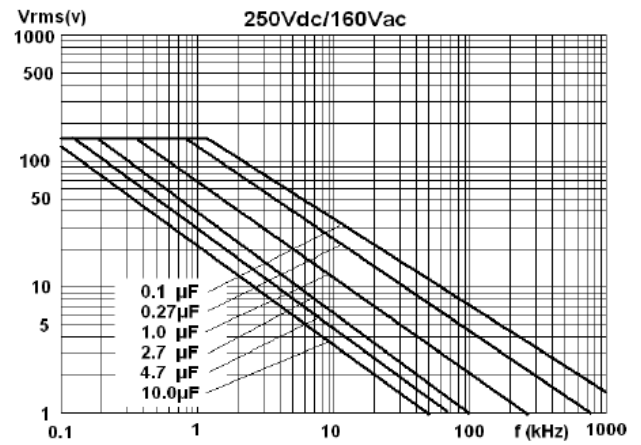
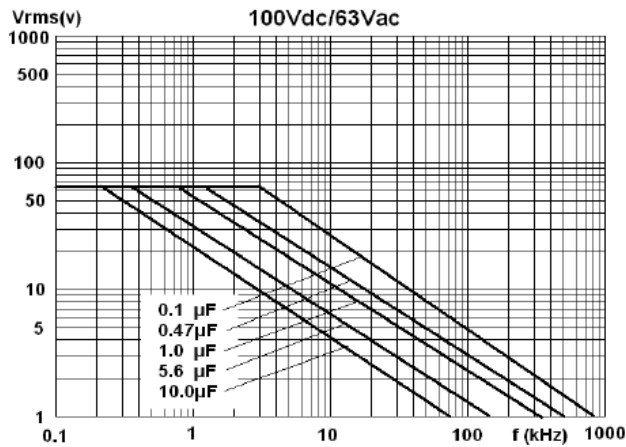
PN	Cap. (µF)	Rated Voltage	W (max.)	P±1.0	H (max.)	T (max.)	d±0.05
MPEF395*50-17.5P15S	3.9	50	17.5	15	13.6	7.9	0.8
MPEF395*63-17.5P15S		63	17.5	15	13.6	7.9	0.8
MPEF395*100-17.5P15S		100	17.5	15	16.4	9.1	0.8
MPEF395*250-25P22.5S		250	25	22.5	21	12	0.8
MPEF395*400-30.2P27.5S		400	30.2	27.5	25.1	15.1	0.8
MPEF475*50-25.2P22.5S	4.7	50	25.2	22.5	13.9	6.6	0.8
MPEF475*63-25.2P22.5S		63	25.2	22.5	13.9	6.6	0.8
MPEF475*100-25.2P22.5S		100	25.2	22.5	16.5	7.6	0.8
MPEF475*250-25.2P22.5S		250	25.2	22.5	20.3	11.9	0.8
MPEF475*400-30.2P27.5S		400	30.2	27.5	26.6	16.7	0.8
MPEF565*50-25.2P22.5S	5.6	50	25.2	22.5	14.4	7.2	0.8
MPEF565*63-25.2P22.5S		63	25.2	22.5	14.4	7.2	0.8
MPEF565*100-25.2P22.5S		100	25.2	22.5	17.2	8.3	0.8
MPEF565*250-30.2P27.5S		250	30.2	27.5	19.9	11.6	0.8
MPEF685*50-25.2P22.5S	6.8	50	25.2	22.5	15.1	7.8	0.8
MPEF685*63-25.2P22.5S		63	25.2	22.5	15.1	7.8	0.8
MPEF685*100-25.2P22.5S		100	25.2	22.5	18	9.7	0.8
MPEF685*250-30.2P27.5S		250	30.2	27.5	21.1	12.8	0.8
MPEF825*50-25.2P22.5S	8.2	50	25.2	22.5	15.9	9.1	0.8
MPEF825*63-25.2P22.5S		63	25.2	22.5	15.9	9.1	0.8
MPEF825*100-25.2P22.5S		100	25.2	22.5	19	10.6	0.8
MPEF825*250-30.2P27.5S		250	30.2	27.5	22.4	14	0.8

**Note:** \*= capacitance tolerance code, M=±20%, K=±10%, J=±5%.

# Metallized Polyester Film Capacitors

## MPEF Series

### Max Voltage (Vr.m.s)/Frequency



Note: sinusoidal wave-form, environment temperature  $\leq 85^{\circ}\text{C}$ , internal temperature rise  $\Delta T=15^{\circ}\text{C}$ , p (pitch) in mm.



# Metallized Polyester Film Capacitors

## MPEF Series

### Reliability Test Condition

No.	Item	Performance	Test Method (IEC60384-2)
1	Solderability	Good quality of tinning	Solder temperature: 245°C±5°C Immersion time: 2.0s±0.5s
2	Initial measurement	Capacitance tanδ: 1KHz, C>1.0μF 10KHz, C≤1.0μF	
	Terminal strength	There shall be no visible damage	Tension: 0.6≤φd≤0.8mm, 10N φd=1.0mm, 20N Bend: 0.6≤φ≤0.8mm, 5N φd=1.0mm, 10N The terminals shall be bent 2 times in each direction.
	Resistance to solder heat	There shall be no visible damage	Solder temperature: 260°C±5°C Immersion time: 10s±1s
	Final measurement	ΔC/C ≤±2% (relative to the initial value) Increase of tanδ: ≤0.005, (10KHz, C≤1.0μF) : ≤0.003, (1KHz, C>1.0μF)	
3	Initial measurement	Capacitance tanδ: 1KHz, C>1.0μF 10KHz, C≤1.0μF	
	Rapid change of temperature	There shall be no evidence of deterioration.	-55°C to +85°C 5 cycles, duration: t=30min
	Vibration	There shall be no evidence of deterioration.	Amplitude 0.75mm or acceleration 98m/s <sup>2</sup> (whichever is less severity), f: 10Hz to 500Hz in three directions, 2hrs per each direction, total 6hrs.
	Bump	There shall be no evidence of deterioration.	4000 times, Acceleration: 390m/s <sup>2</sup> , Pulse duration: 6ms
	Final measurement	ΔC/C ≤±5% (relative to the initial value) Increase of tanδ: ≤0.003 ≤0.003 (10KHz, C≤1.0μF) ≤0.002 (1KHz, C>1.0μF) IR: ≥ 50% of the rated value	

# Metallized Polyester Film Capacitors

## MPEF Series

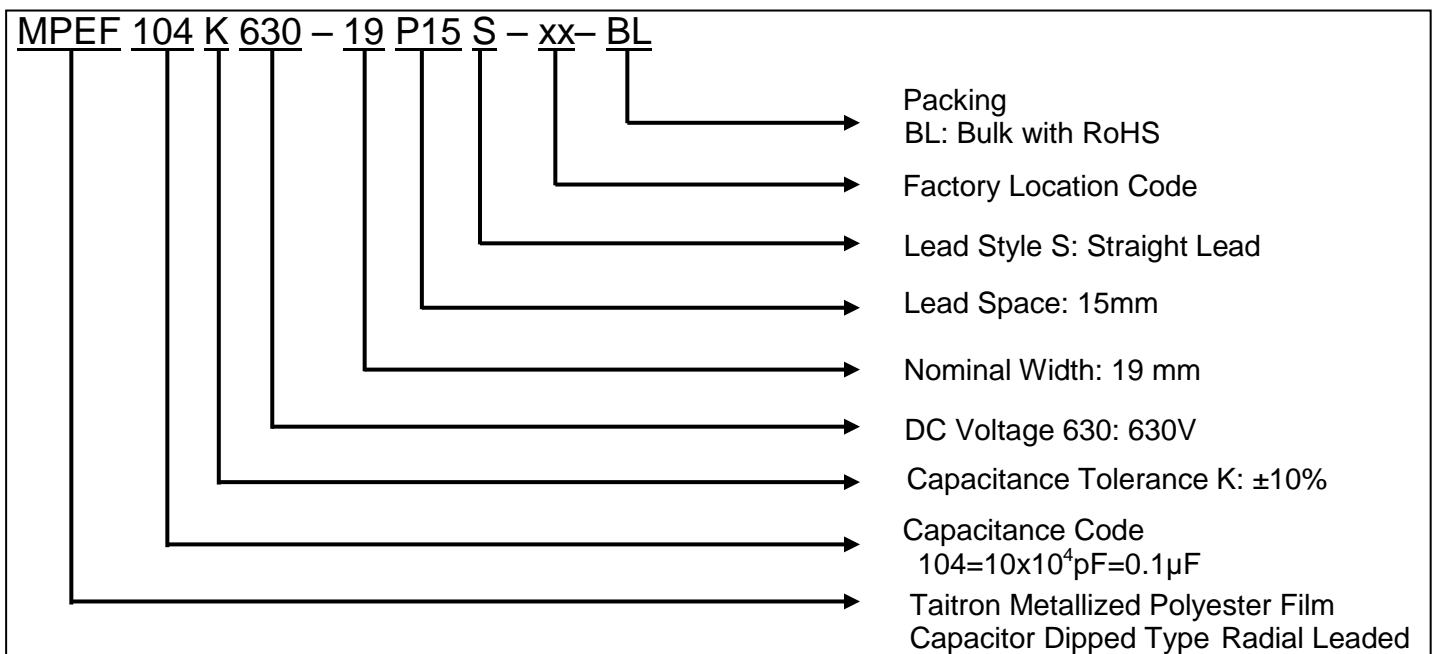
No.	Item	Performance	Test Method (IEC60384-2)
4	Initial measurement	Capacitance tan $\delta$ : 1KHz, C>1.0 $\mu$ F 10KHz, C $\leq$ 1.0 $\mu$ F	
	Dry Heat		+85°C, 16hrs
	Damp Heat, Cyclic		Test Db, Severity: b, the first cycle
	Cold		-55°C, 2hrs
	Low air pressure	There shall be no permanent break down, flashover or other harmful deformation when applying U <sub>R</sub> at the last 1 minute.	15°C ~ 35°C, 8.5kPa, 1hr,
	Damp, Heat, Cyclic, other		Test Db, Severity b, the other cycles, Applying U <sub>R</sub> for 1 minute after the test finished.
	Final measurement	There shall be no evidence of deterioration and the marking shall be legible. $\Delta C/C \leq \pm 5\%$ (relative to the initial value) Increase of tan $\delta$ : $\leq 0.005$ (10KHz, C $\leq$ 1.0 $\mu$ F) $\leq 0.003$ (1KHz, C>1.0 $\mu$ F) IR: $\geq 50\%$ of the rated value	
5	Damp Heat steady state	There shall be no evidence of deterioration and the marking shall be legible. $\Delta C/C \leq \pm 5\%$ (relative to the initial value) Increase of tan $\delta \leq 0.005$ IR: $\geq 50\%$ of the rated value	Temperature: 40°C $\pm$ 2°C Voltage: 90~95%RH Duration: 21 days
6	Endurance	$\Delta C/C \leq \pm 8\%$ (relative to the initial value) Increase of tan $\delta$ : $\leq 0.003$ (10KHz, C $\leq$ 1.0 $\mu$ F) $\leq 0.002$ (1KHz, C>1.0 $\mu$ F) IR: $\geq 50\%$ of the rated value	Temperature: +85°C Voltage: 1.25 $\times$ U <sub>R</sub> Duration: 2,000 hrs

# Metallized Polyester Film Capacitors

## MPEF Series

No.	Item	Performance	Test Method (IEC60384-2)
7	Charging and Discharging	$\Delta C/C \leq \pm 5\%$ (relative to the initial value) Increase of $\tan\delta$ : $\leq 0.003$ (10KHz, $C \leq 1.0\mu\text{F}$ ) $\leq 0.002$ (1KHz, $C > 1.0\mu\text{F}$ ) $\text{IR} \geq 50\%$ of the rated value	Times: 10,000 Duration of charging: 0.5s Duration of discharging: 0.5s Charging voltage: rated voltage Charging resistance: $220/C_R(\Omega)$ Discharging resistance: $R = 10/C_R(\Omega)$ or $20\Omega$ (whichever is greater) $C_R$ : rated capacitance ( $\mu\text{F}$ )

### How to Order



# Metallized Polyester Film Capacitors

---

## MPEF Series

### How to contact us

**USA HEADQUARTERS**

28040 WEST HARRISON PARKWAY, VALENCIA, CA 91355-4162

Tel: (800)-TAITRON (800)-824-8766 (661)-257-6060

Fax: (800)-TAITFAX (800)-824-8329 (661)-257-6415

Email: [taitron@taitroncomponents.com](mailto:taitron@taitroncomponents.com)

Http://[www.taitroncomponents.com](http://www.taitroncomponents.com)

**TAITRON COMPONENTS INCORPORATED TAIWAN BRANCH**

6F., NO.190, SEC. 2, ZHONGXING RD., XINDIAN DIST., NEW TAIPEI CITY 23146, TAIWAN R.O.C.

Tel: 886-2-2913-6238

Fax: 886-2-2913-6239

**TAITRON COMPONENT TECHNOLOG SHANGHAI CORPORATION**

SUITE 1503, METROBANK PLAZA, 1160 WEST YAN'AN ROAD, SHANGHAI, 200052, CHINA

Tel: +86-21-5424-9942

Fax: +86-21-2302-5027