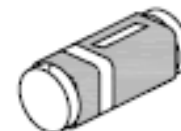


Two Terminals Surface Mount Switching Diodes

Features

- Fast Switching Speed
- Surface Mount Package Ideally Suited for Automatic Insertion
- General Purpose Rectification
- Silicon Epitaxial Planar Construction
- RoHS compliant



QuadromELF



Mechanical Data

Case:	QuadromELF, Glass Case
Terminals:	Solderable per MIL-STD-750, Method 2026
Weight:	0.03 grams

Maximum Ratings ($T_{Ambient}=25^{\circ}C$ unless noted otherwise)

Symbol	Description	LS4448	Unit	Conditions
VRM	Reverse Voltage	75	V	
VRRM	Peak Reverse Voltage	100	V	
IF(AV)	Forward Average Current	150	mA	Ta=25°C, f ≥ 50Hz
IFSM	Peak Forward Surge Current	500	mA	TJ=25°C, t < 1s
PD	Power Dissipation	500	mW	Ta=25°C
VF	Max. Forward Voltage	1.0	V	IF=100mA
IR	Max. Reverse Current	0.025	μA	VR=20V
		50		VR=20V, TJ=150°C
CJ	Max. Capacitance	4.0	pF	VR=VF=0V
Trr	Max. Reverse Recovery Time	4.0	ns	IF=-IR=10mA to IRR=-1mA, VR=6V, RL=100Ω
RθJA	Typical Thermal Resistance	350	° C/W	
TJ, TSTG	Operating Junction and Storage Temperature Range	-65 to +175	° C	

Typical Characteristics Curves

Fig.1- Typical Reverse Characteristics

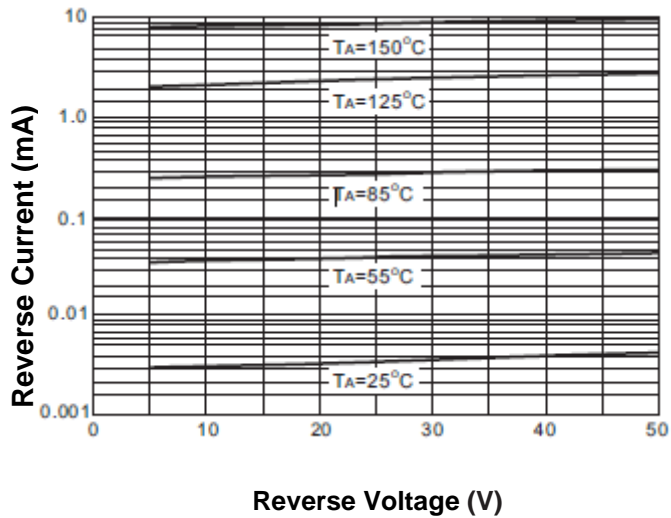


Fig.2- Typical Instantaneous Forward Characteristics

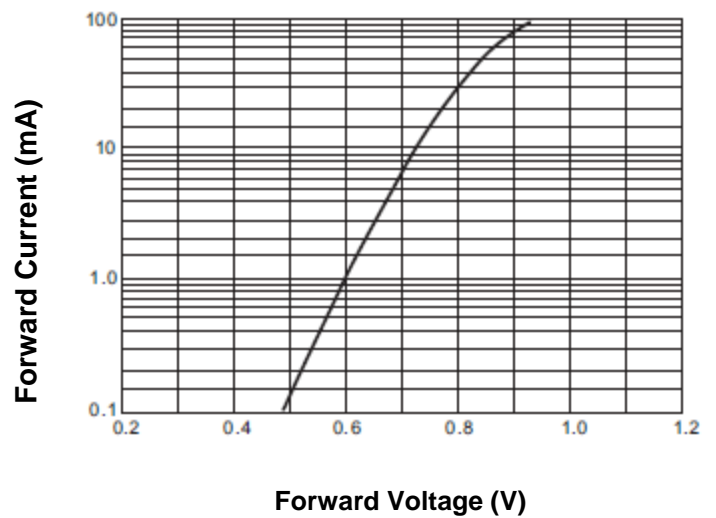


Fig.3- Junction Capacitance Curve

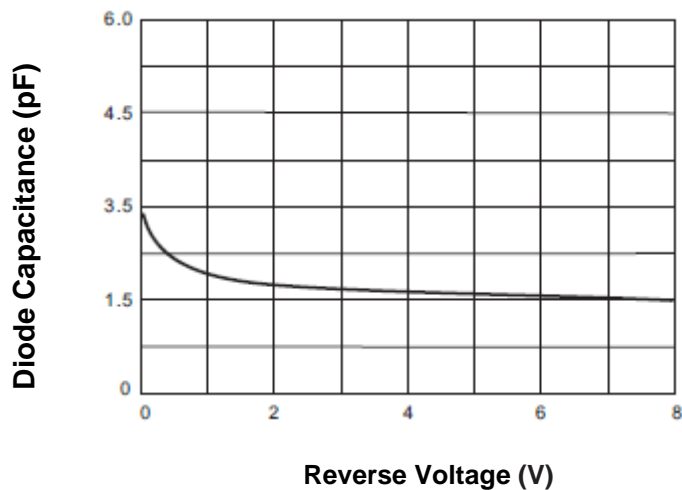
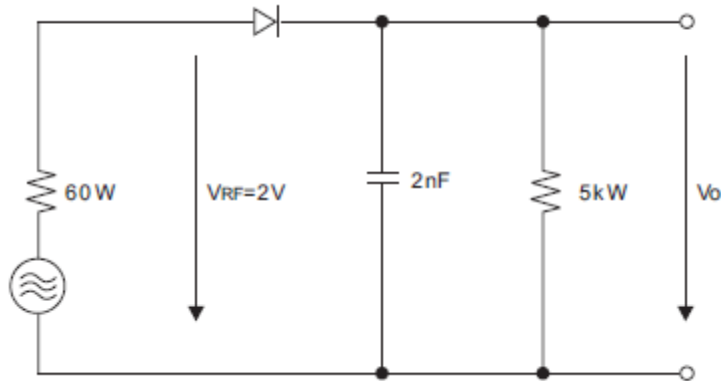
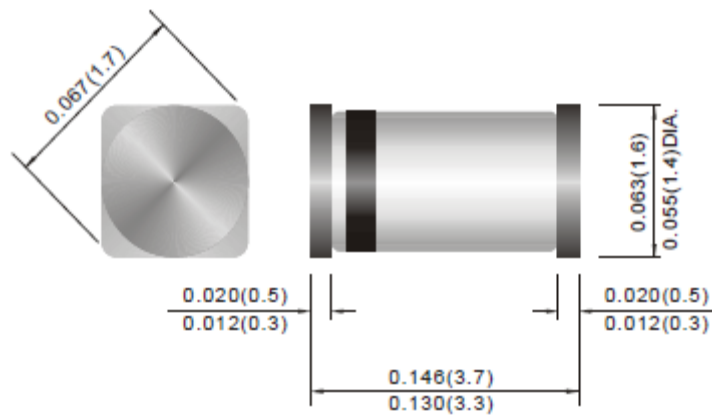


Fig 4. Rectification Efficiency Measurement Circuit



Dimensions in inch (mm)

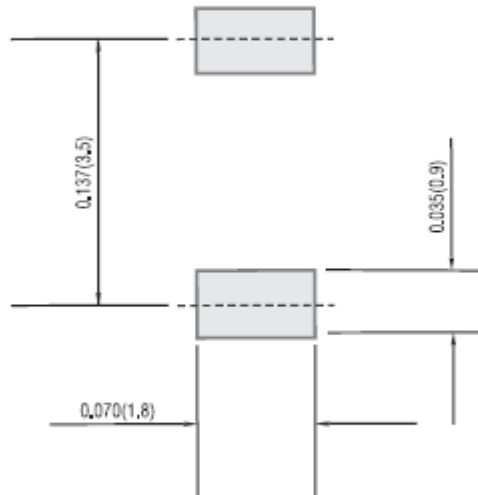


QuadroMELF

Two Terminals Surface Mount Switching Diodes

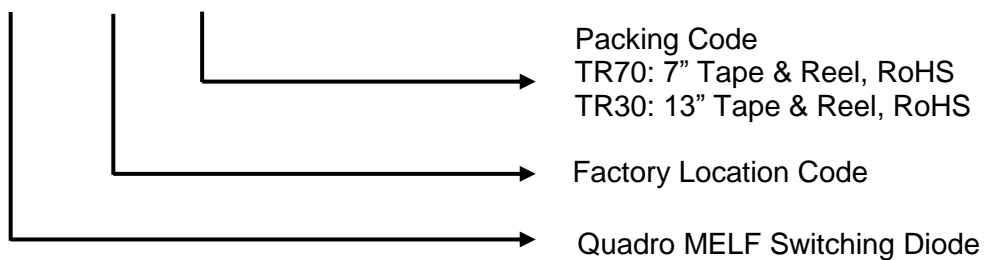
LS4448

Mount Pad Layout in Inch (mm)



How to Order

LS4448 - XX - XX



How to contact

US HEADQUARTERS

28040 WEST HARRISON PARKWAY, VALENCIA, CA 91355-4162

Tel: (800) TAITRON (800) 824-8766 (661) 257-6060

Fax: (800) TAITFAX (800) 824-8329 (661) 257-6415

Email: taitron@taitroncomponents.com

Http://www.taitroncomponents.com

TAITRON COMPONENTS MEXICO, S.A .DE C.V.

BOULEVARD CENTRAL 5000 INTERIOR 5 PARQUE INDUSTRIAL ATITALAQUIA, HIDALGO C.P.
42970 MEXICO

Tel: +52-55-5560-1519

Fax: +52-55-5560-2190

TAITRON COMPONENTS INCORPORATED TAIWAN, TAIPEI

5F-2, NO. 77, SEC. 1, HSIN TAI WU ROAD, HSI-CHIH, TAIPEI HSIEN, TAIWAN R.O.C.

Tel: 886-2-2698-8878

Fax: 886-2-2698-8879

TAITRON COMPONETS INCORPORATED, SHANGHAI REPRESENTATIVE OFFICE

METROBANK PLAZA, 1160 WEST YAN'AN ROAD, SUITE 1503, SHANGHAI, 200052, CHINA

Tel: +86-21-5424-9942

Fax: +86-21-5424-9931