

Glass Passivated Junction Rectifier (Discontinued)

Features

- High temperature metallurgically bonded construction
- Glass passivated cavity-free junction package
- Capable of meeting environmental standards of MIL-S-19500
- 2.0 Ampere operation at $T_A=75^\circ\text{C}$ with no thermal runaway
- Hermetically sealed package
- Typical IR less than $0.1\mu\text{A}$
- High temperature soldering guaranteed:
 $350^\circ\text{C}/10$ seconds, $.037''$ (9.5mm) lead length,
 5lbs (2.3kg) tension



DO-204AP

Mechanical Data

Case:	JEDEC DO-204AP solid glass body
Terminals:	Plated axial leads, solderable per MIL-STD-750, Method 2026
Polarity:	Color band denotes cathode end
Mounting Position:	Any
Weight:	0.02 ounce, 0.56 gram

Maximum Ratings and Electrical Characteristics ($T_A=25^\circ\text{C}$ unless noted otherwise)

Symbol	Description	G2B	G2G	Unit	Conditions
VRRM	Maximum Repetitive Peak Reverse Voltage	100	400	V	
VRMS	Maximum RMS Voltage	70	280	V	
VDC	Maximum DC Blocking Voltage	100	400	V	
IF(AV)	Maximum Average Forward Rectified Current	2.0		A	0.375" (9.5 mm) lead length at $T_A=75^\circ\text{C}$
IFSM	Peak Forward Surge Current	50.0		A	8.3ms single half sine-wave superimposed on rated load (JEDEC Method)

General Semiconductor

Symbol	Description	G2B	G2G	Unit	Conditions
V_F	Maximum Instantaneous Forward Voltage	1.2	1.1	V	I _F =2.0A
I_{R(AV)}	Maximum Full Load Reverse Current	100.0		μA	Full Cycle Average 0.375" (9.5 mm) lead length at T _A =100 °C
I_R	Maximum DC Reverse Current at Rated DC Blocking Voltage	1.0		μA	T _A =25 °C
		100.0			T _A =150 °C
T_{rr}	Typical Reverse Recovery Time	1.5		μs	Note 1
C_J	Typical Junction Capacitance	15.0		pF	Note 2
R_{thJA}	Typical Thermal Resistance	55.0		°C / W	Note 3
T_J,T_{STG}	Operating Junction and Storage Temperature Range	-65 to +175		°C	

Notes:

1: Reverse recovery test condition: I_F=0.5A, I_R=1.0A, I_{rr}=0.25A.

2: Measured at 1.0MHz and applied reverse voltage of 4.0V

3: Thermal resistance from junction to ambient at 0.375" (9.5mm) lead length, P.C.B. mounted.

Typical Characteristics Curves (T_A=25°C unless noted otherwise)

Fig.1-Max. Forward Current Derating Curve

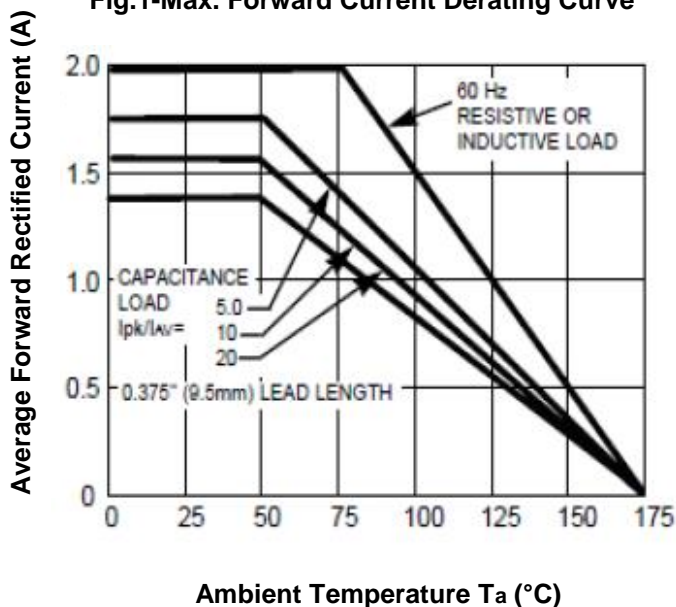
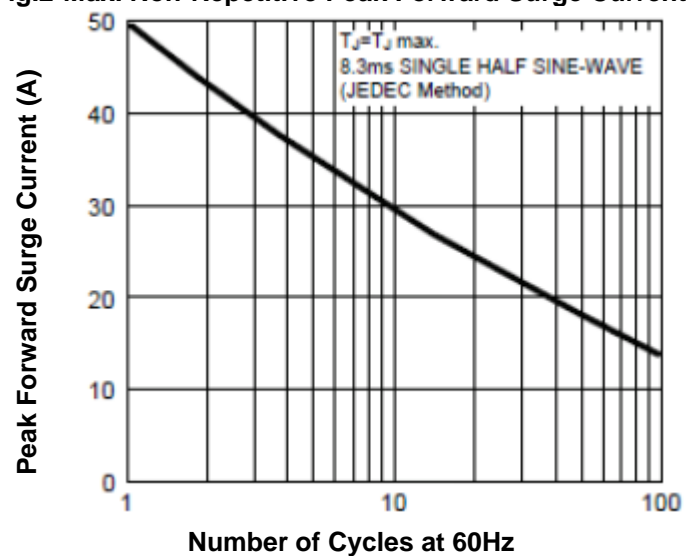


Fig.2-Max. Non-Repetitive Peak Forward Surge Current



General Semiconductor

Fig.3- Typical Instantaneous Forward Characteristics

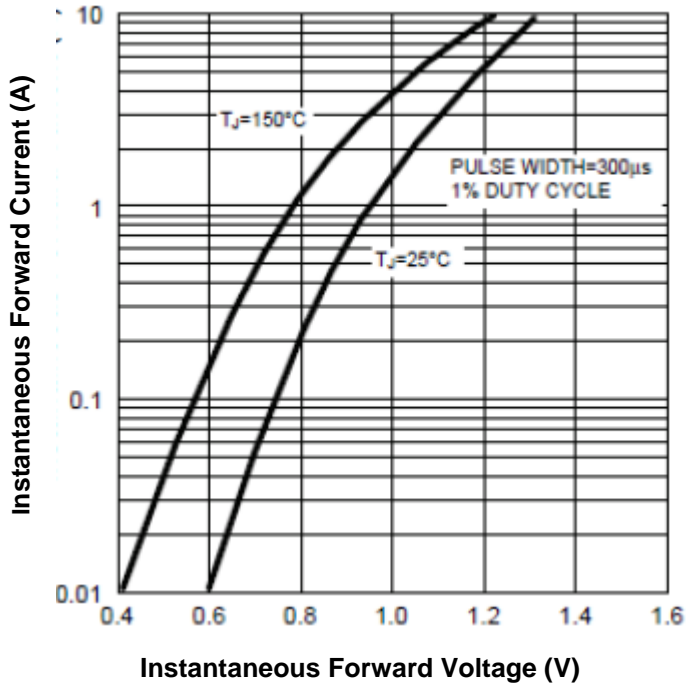


Fig.4-Typical Reverse Characteristics

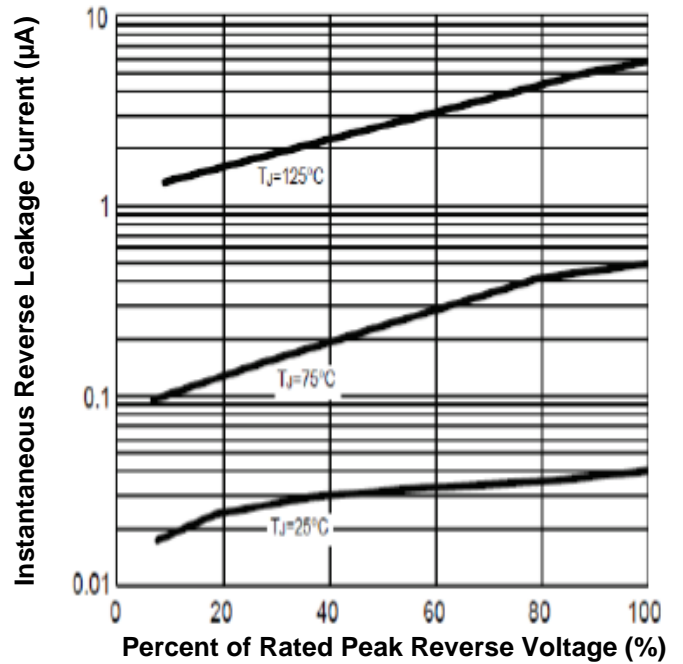
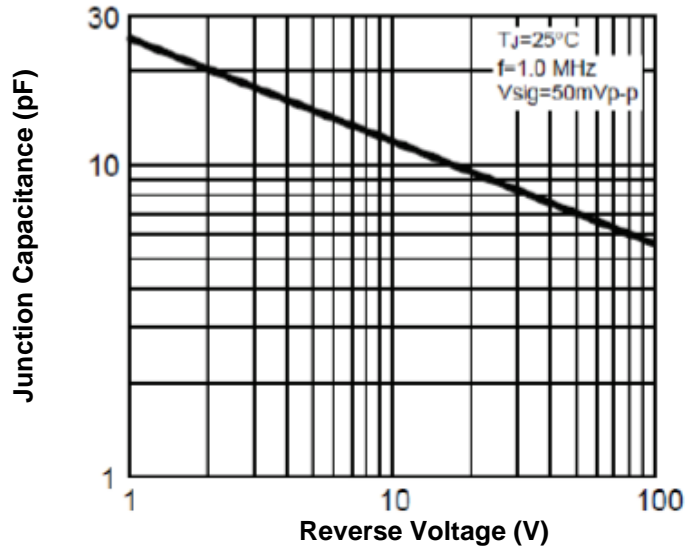
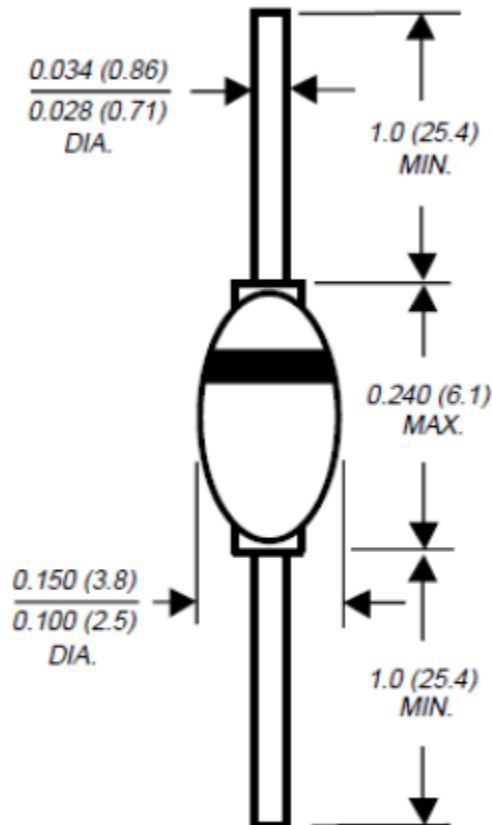


Fig.5- Typical Junction Capacitance



General Semiconductor

Dimensions in inch (mm)



DO-204AP

Order Information

Part # to order	Manufacturer	Outline	Packing	RoHS Status
G2B/1-GSI-B	General Semiconductor	DO-204AP	Bulk	NO
G2B/4-GSI-T30	General Semiconductor	DO-204AP	13" Tape and Reel	NO
G2G/4-GSI-T30	General Semiconductor	DO-204AP	13" Tape and Reel	NO

General Semiconductor

How to contact us

USA HEADQUARTERS

28040 WEST HARRISON PARKWAY, VALENCIA, CA 91355-4162

Tel: (800)-TAITRON (800)-824-8766 (661)-257-6060

Fax: (800)-TAITFAX (800)-824-8329 (661)-257-6415

Email: taitron@taitroncomponents.com

Http://www.taitroncomponents.com

TAITRON COMPONENTS INCORPORATED TAIWAN BRANCH

6F., NO.190, SEC. 2, ZHONGXING RD., XINDIAN DIST., NEW TAIPEI CITY 23146, TAIWAN R.O.C.

Tel: 886-2-2913-6238

Fax: 886-2-2913-6239

TAITRON COMPONENT TECHNOLOG SHANGHAI CORPORATION

SUITE 1503, METROBANK PLAZA, 1160 WEST YAN'AN ROAD, SHANGHAI, 200052, CHINA

Tel: +86-21-5424-9942

Fax: +86-21-2302-5027