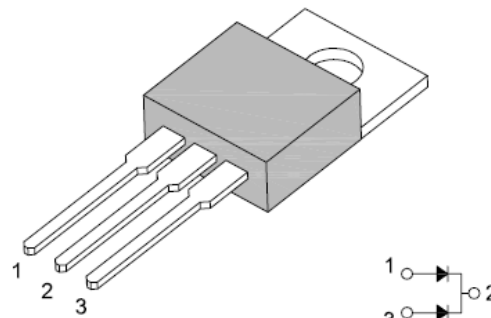


16A Fast Efficient Rectifiers

Features

- Glass passivated chip junction
- Super fast recovery times, high voltage
- Low power loss, high efficiency
- Low forward voltage, high current capability
- High surge current capability
- RoHS Compliance



TO-220



Mechanical Data

Case:	TO-220, molded plastic
Epoxy:	Plastic package has UL flammability classification 94V-0
Terminals:	Lead, solderable per MIL-STD-202, Method 208
Polarity:	As marked
Mounting Torque:	10 in-lbs maximum
Weight:	0.08 ounces, 2.24 grams

Maximum Ratings and Electrical Characteristics ($T_A=25^\circ\text{C}$ unless noted otherwise)

Symbol	Description	FEP 16AT	FEP 16BT	FEP 16CT	FEP 16DT	FEP 16FT	FEP 16GT	FEP 16HT	FEP 16JT	Unit	Conditions
V_{RRM}	Maximum Repetitive Peak Reverse Voltage	50	100	150	200	300	400	500	600	V	
V_{RMS}	Maximum RMS Voltage	35	70	105	140	210	280	350	420	V	
V_{DC}	Maximum DC Blocking Voltage	50	100	150	200	300	400	500	600	V	
I_{F(AV)}	Maximum Average Forward Rectified Current	16								A	T _c =100°C
I_{FSM}	Peak Forward Surge Current per leg	150								A	8.3ms single half sine-wave superimposed on rated load (JEDEC Method)

16A Fast Efficient Rectifiers

FEP16AT - FEP16JT

Symbol	Description	FEP 16AT	FEP 16BT	FEP 16CT	FEP 16DT	FEP 16FT	FEP 16GT	FEP 16HT	FEP 16JT	Unit	Conditions	
V_F	Maximum Instantaneous Forward Voltage per leg	0.95			1.30		1.50			V	I _F =8.0A	
I_R	Maximum DC Reverse Current at Rated DC Blocking Voltage	10								μA	TC=25° C	
		500									TC=100° C	
T_{rr}	Typical Reverse Recovery Time per leg	35			50					nS	I _F =0.5A, I _R =1A, I _{rr} =0.25A	
C_J	Typical Junction Capacitance per leg	85					60			pF	V _R =4V, f=1MHz	
R_{thJC}	Typical Thermal Resistance from Junction to Case per leg	2.2										° C/W
T_J, T_{STG}	Operating Junction and Storage Temperature Range	-55 to +150										° C

Typical Characteristics Curves

Fig.1-Forward Current Derating Curve

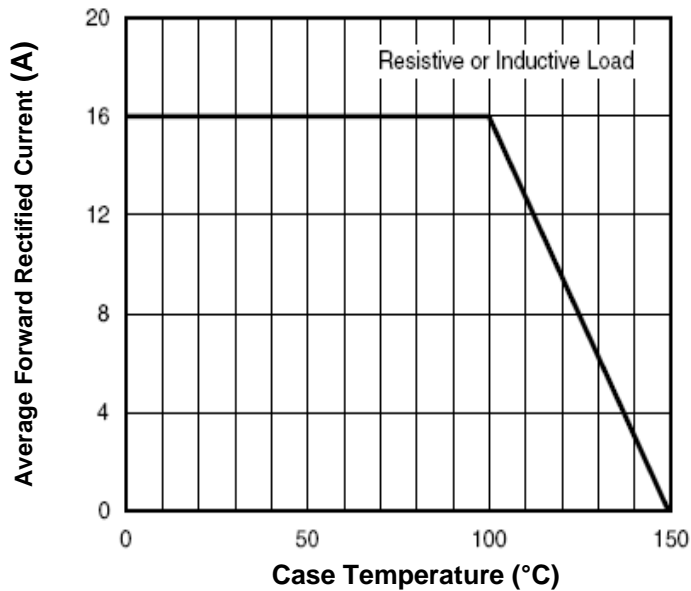
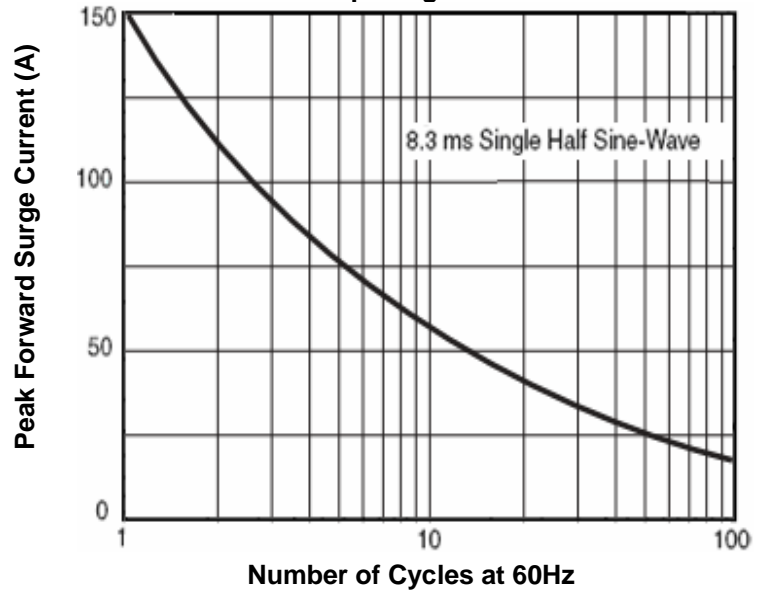


Fig.2-Max. Non-Repetitive Peak Forward Surge Current per leg



16A Fast Efficient Rectifiers

FEP16AT - FEP16JT

Fig.3- Typical Forward Characteristics per leg

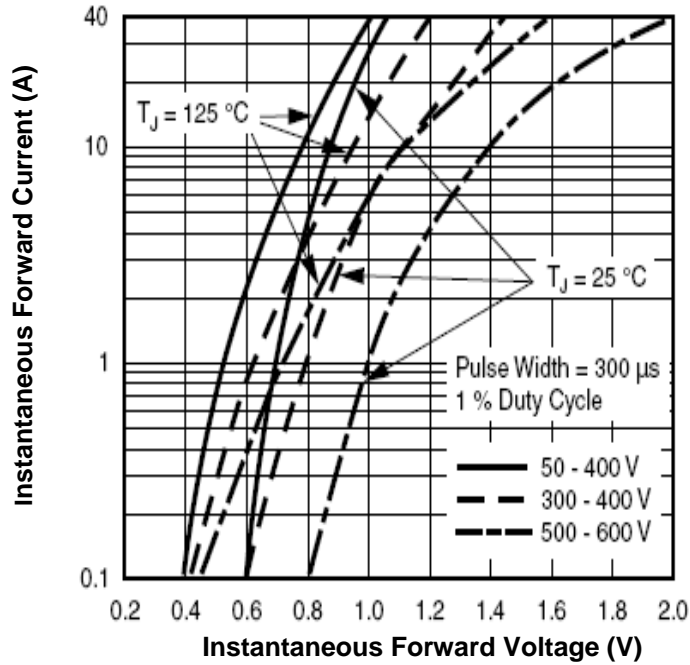


Fig.4-Typical Reverse Characteristics per leg

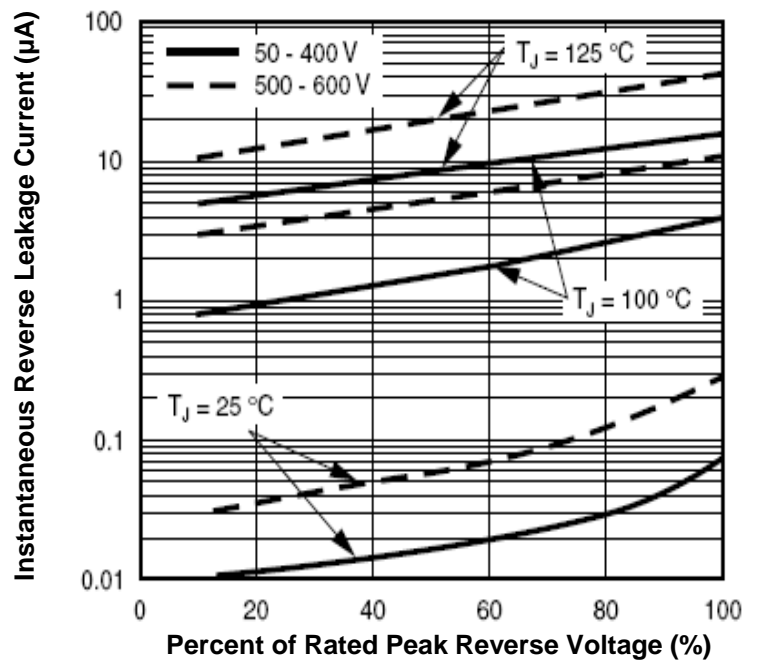
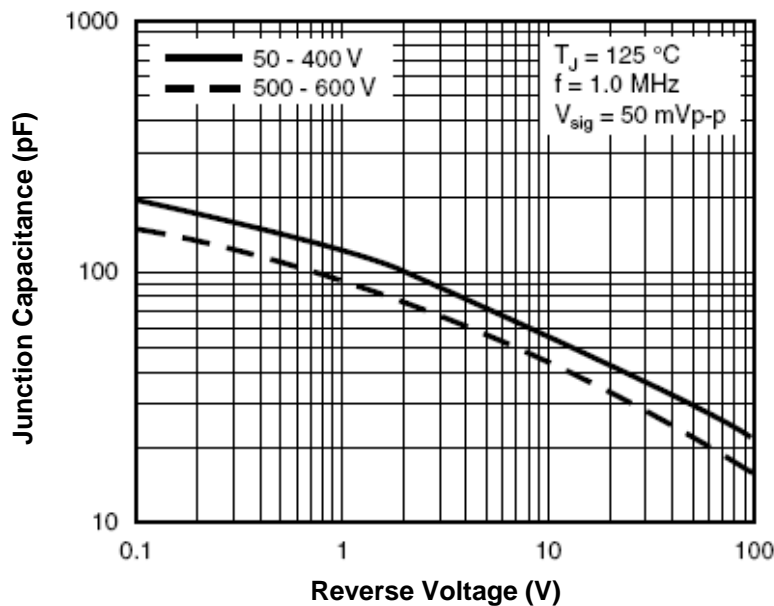
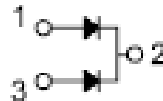
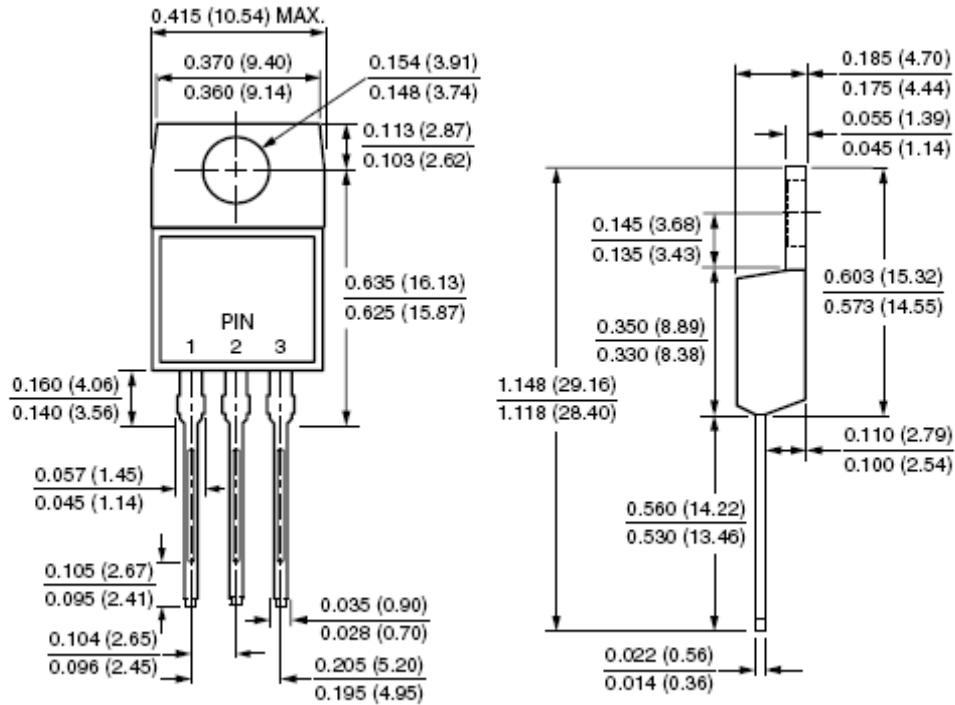


Fig.5- Typical Junction Capacitance per leg



Dimensions in inches (mm)



TO-220

How to contact us:

US HEADQUARTERS

28040 WEST HARRISON PARKWAY, VALENCIA, CA 91355-4162

Tel: (800) TAITRON (800) 824-8766 (661) 257-6060

Fax: (800) TAITFAX (800) 824-8329 (661) 257-6415

Email: taitron@taitroncomponents.com

Http://www.taitroncomponents.com

TAITRON COMPONENTS MEXICO, S.A .DE C.V.

BOULEVARD CENTRAL 5000 INTERIOR 5 PARQUE INDUSTRIAL ATITALAQUIA, HIDALGO C.P.
42970 MEXICO

Tel: +52-55-5560-1519

Fax: +52-55-5560-2190

TAITRON COMPONETS INCORPORATED E REPRESENTAÇÕES DO BRASIL LTDA

RUA DOMINGOS DE MORAIS, 2777, 2.ANDAR, SALA 24 SAÚDE - SÃO PAULO-SP 04035-001 BRAZIL

Tel: +55-11-5574-7949

Fax: +55-11-5572-0052

TAITRON COMPONETS INCORPORATED, SHANGHAI REPRESENTATIVE OFFICE

METROBANK PLAZA, 1160 WEST YAN' AN ROAD, SUITE 1503, SHANGHAI, 200052, CHINA

Tel: +86-21-5424-9942

Fax: +86-21-5424-9931