

500mW Zener Diodes

Features

- Planar Die construction
- 500mW Power Dissipation
- Standard Zener Voltage Tolerance is $\pm 5\%$
- Ideally Suited for Automated Assembly Processes
- RoHS compliant



DO-35



Mechanical Data

Case:	DO-35, Molded Glass
Terminals:	Axial leads, Solderable per MIL-STD-750 Method 2026,
Polarity:	Cathode end indicated by color band
Weight:	0.13 grams

Maximum Ratings & Electrical Characteristics

($T_{Ambient}=25^{\circ}C$ unless noted otherwise)

Symbol	Description	Value	Unit	Conditions
PD	Power Dissipation above 25°C	500	mW	
VF	Max. Forward Voltage	1.1	V	IF= 200mA
RθJA	Max. Thermal Resistance Junction to Ambient	0.3	°C/mW	Note
TJ	Max. Junction Temperature	175	°C	
TSTG	Storage Temperature Range	-65 to +175	°C	

Note: Valid provided that leads at a distance of 10 mm from case are kept at ambient temperature.

500mW Zener Diodes

1N5221B~1N5266B

P/N	Normal Zener Voltage				Maximum Zener impedance			Maximum reverse leakage current	
	VZ @ IZT (Note)				ZZT @ IZT	Zzk @ Izk		IR @ VR	
	Nom. VZ	Min. VZ	Max. VZ	IZT (mA)	Ω	Ω	mA	μ A	VR
1N5221B	2.4	2.28	2.52	20.0	30	1200	0.25	100	1.0
1N5222B	2.5	2.38	2.63	20.0	30	1250	0.25	100	1.0
1N5223B	2.7	2.57	2.84	20.0	30	1300	0.25	75	1.0
1N5224B	2.8	2.66	2.94	20.0	30	1400	0.25	75	1.0
1N5225B	3.0	2.85	3.15	20.0	29	1600	0.25	50	1.0
1N5226B	3.3	3.14	3.47	20.0	28	1600	0.25	25	1.0
1N5227B	3.6	3.42	3.78	20.0	24	1700	0.25	15	1.0
1N5228B	3.9	3.71	4.10	20.0	23	1900	0.25	10	1.0
1N5229B	4.3	4.09	4.52	20.0	22	2000	0.25	5.0	1.0
1N5230B	4.7	4.47	4.94	20.0	19	1900	0.25	5.0	2.0
1N5231B	5.1	4.85	5.36	20.0	17	1600	0.25	5.0	2.0
1N5232B	5.6	5.32	5.88	20.0	11	1600	0.25	5.0	3.0
1N5233B	6.0	5.70	6.30	20.0	7	1600	0.25	5.0	3.5
1N5234B	6.2	5.89	6.51	20.0	7	1000	0.25	5.0	4.0
1N5235B	6.8	6.46	7.14	20.0	5	750	0.25	3.0	5.0
1N5236B	7.5	7.13	7.88	20.0	6	500	0.25	3.0	6.0
1N5237B	8.2	7.79	8.61	20.0	8	500	0.25	3.0	6.5
1N5238B	8.7	8.27	9.14	20.0	8	600	0.25	3.0	6.5
1N5239B	9.1	8.65	9.56	20.0	10	600	0.25	3.0	7.0
1N5240B	10.0	9.50	10.50	20.0	17	600	0.25	3.0	8.0
1N5241B	11.0	10.45	11.55	20.0	22	600	0.25	2.0	8.4
1N5242B	12.0	11.40	12.60	20.0	30	600	0.25	1.0	9.1
1N5243B	13.0	12.35	13.65	9.5	13	600	0.25	0.5	9.9
1N5244B	14.0	13.30	14.70	9.5	15	600	0.25	0.1	10.0
1N5245B	15.0	14.25	15.75	8.5	16	600	0.25	0.1	11.0
1N5246B	16.0	15.20	16.80	7.8	17	600	0.25	0.1	12.0
1N5247B	17.0	16.15	17.85	7.4	19	600	0.25	0.1	13.0
1N5248B	18.0	17.10	18.90	7.0	21	600	0.25	0.1	14.0
1N5249B	19.0	18.05	19.95	6.6	23	600	0.25	0.1	14.0

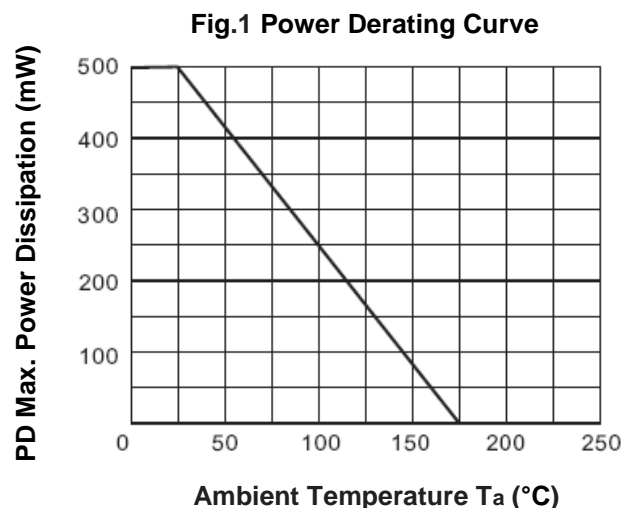
500mW Zener Diodes

1N5221B~1N5266B

P/N	Normal Zener Voltage				Maximum Zener impedance			Maximum reverse leakage current	
	VZ @ IZT (Note)				ZzT @ IZT	Zzk @ Izk		IR @ VR	
	Nom. VZ	Min. VZ	Max. VZ	IZT (mA)	Ω	Ω	mA	μA	VR
1N5250B	20.0	19.00	21.00	6.2	25	600	0.25	0.1	15.0
1N5251B	22.0	20.90	23.10	5.6	29	600	0.25	0.1	17.0
1N5252B	24.0	22.80	25.20	5.2	33	600	0.25	0.1	18.0
1N5253B	25.0	23.75	26.25	5.0	35	600	0.25	0.1	19.0
1N5254B	27.0	25.65	28.35	4.6	41	600	0.25	0.1	21.0
1N5255B	28.0	26.60	29.40	4.5	44	600	0.25	0.1	21.0
1N5256B	30.0	28.50	31.50	4.2	49	600	0.25	0.1	23.0
1N5257B	33.0	31.35	34.65	3.8	58	700	0.25	0.1	25.0
1N5258B	36.0	34.20	37.80	3.4	70	700	0.25	0.1	27.0
1N5259B	39.0	37.05	40.95	3.2	80	800	0.25	0.1	30.0
1N5260B	43.0	40.85	45.15	3.0	93	900	0.25	0.1	33.0
1N5261B	47.0	44.65	49.35	2.7	105	1000	0.25	0.1	36.0
1N5262B	51.0	48.45	53.55	2.5	125	1100	0.25	0.1	39.0
1N5263B	56.0	53.20	58.80	2.2	150	1300	0.25	0.1	43.0
1N5264B	60.0	57.00	63.00	2.1	170	1400	0.25	0.1	46.0
1N5265B	62.0	58.90	65.10	2.0	185	1400	0.25	0.1	47.0
1N5266B	68.0	64.60	71.40	1.8	230	1600	0.25	0.1	52.0

Note: Standard Voltage tolerance is $\pm 5\%$, measured with Pulses $T_p=40$ mSec.

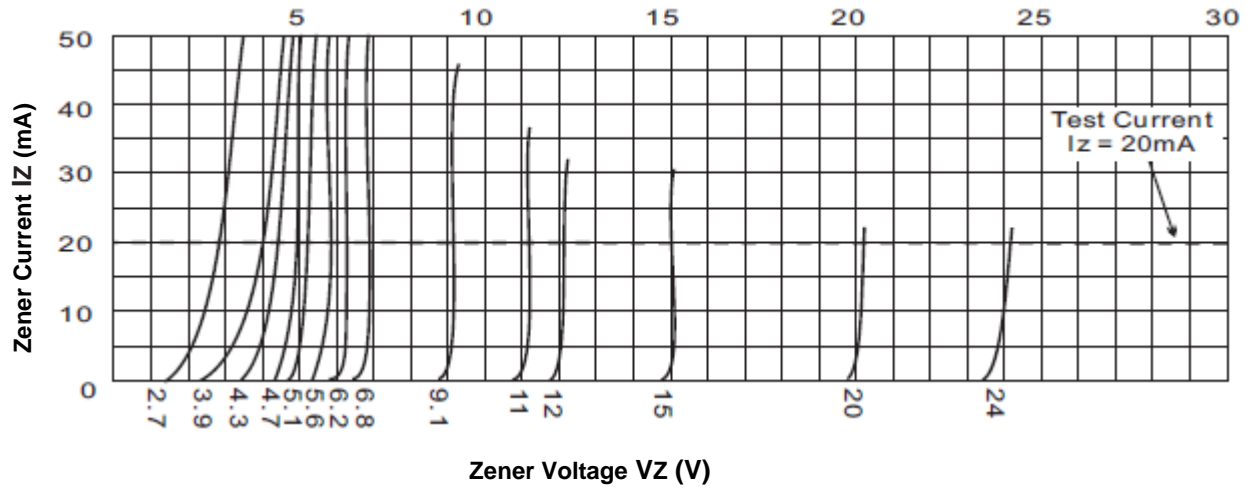
Characteristics Curves



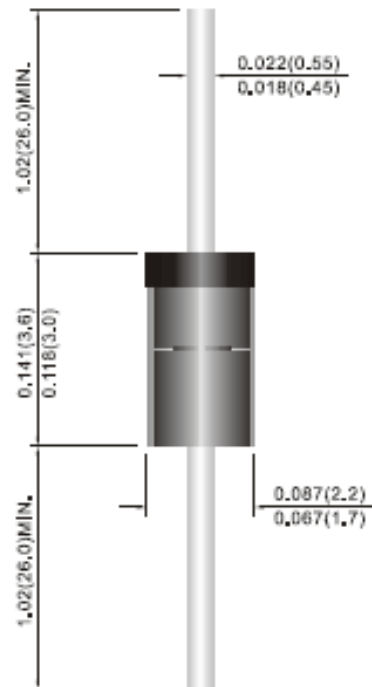
500mW Zener Diodes

1N5221B~1N5266B

Fig.2- Breakdown Characteristics



Dimensions in inch (mm)



DO-35

How to contact us

US HEADQUARTERS

28040 WEST HARRISON PARKWAY, VALENCIA, CA 91355-4162

Tel: (800)-TAITRON (800)-824-8766 (661)-257-6060

Fax: (800)-TAITFAX (800)-824-8329 (661)-257-6415

Email: taitron@taitroncomponents.com

Http://www.taitroncomponents.com

TAITRON COMPONENTS MEXICO, S.A .DE C.V.

BOULEVARD CENTRAL 5000 INTERIOR 5 PARQUE INDUSTRIAL ATITALAQUIA, HIDALGO

C.P. 42970 MEXICO

Tel: +52-55-5560-1519

Fax: +52-55-5560-2190

TAITRON COMPONENTS INCORPORATED TAIWAN, TAIPEI

6F., No.190, Sec. 2, Zhongxing Rd., Xindian Dist., New Taipei City 23146, Taiwan R.O.C.

Tel: 886-2-2913-6238

Fax: 886-2-2913-6239

TAITRON COMPONENT TECHNOLOGY, SHANGHAI CORPORATION

METROBANK PLAZA, 1160 WEST YAN'AN ROAD, SUITE 1503, SHANGHAI, 200052, CHINA

Tel: +86-21-5424-9942

Fax: +86-21-2302-5027