

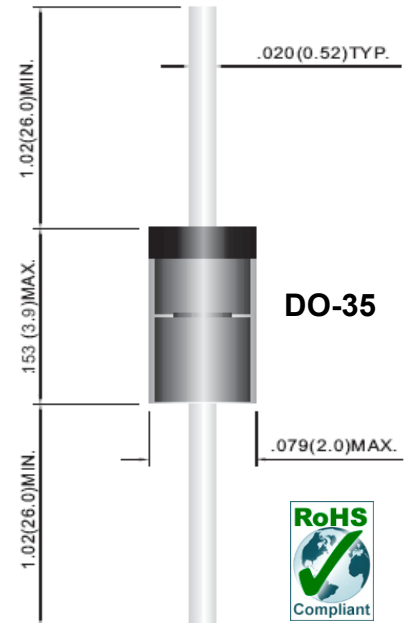
Fast Switching Diodes

Features

- Fast Switching Speed
- Silicon Epitaxial Planar Construction
- Electrically Identical to JEDEC
- RoHS compliant

Mechanical Data

Case:	DO-35, Molded Glass
Terminals:	Axial leads, solderable per MIL-STD-750, Method 2026
Polarity:	Color band denotes cathode
Weight:	0.13 gram



Maximum Ratings *(T_J=25°C unless noted otherwise)*

Symbol	Description	Value	Unit	Conditions
VR	Reverse Voltage	50	V	
VRRM	Peak Reverse Voltage	50	V	
IF(AV)	Average Forward Current	200	mA	TA=25°C and f>=50Hz
IFSM	Peak Forward Surge Current	500	mA	t<1s, T _J =25°C
PD	Power Dissipation	500	mW	TA=25°C
T_J, T_{STG}	Junction Temperature and Storage Temperature Range	-65 to +175	°C	

Electrical Characteristics *(T_J=25°C unless noted otherwise)*

Symbol	Description	Value	Unit	Conditions
VF	Maximum Forward Voltage	1	V	I _F = 200 mA
IR	Maximum Reverse Current	0.1	uA	VR=50V, T _J = 25 °C
trr	Maximum Reverse Recovery Time	4	ns	From I _F = 10mA to I _R =1mA, VR=6V, RL=100Ω
C_J	Maximum Diode Capacitance	4	pF	VR=0V, f=1MHz
RθJA	Thermal Resistance Junction to Air	350	°C/W	

Typical Characteristics Curves

Fig.1- Forward Voltage Vs.Forward Current

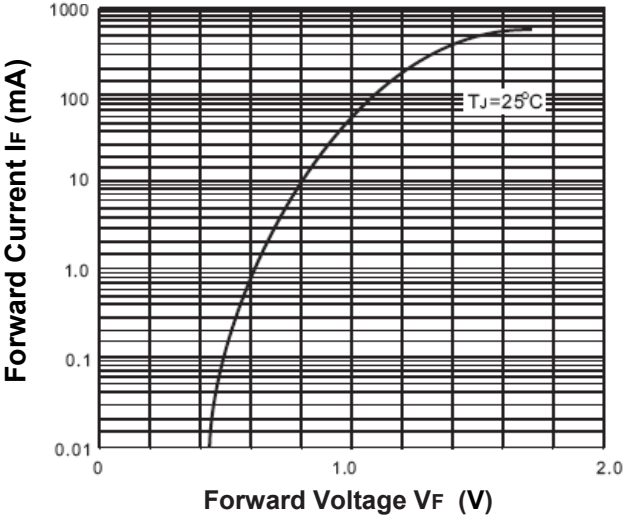


Fig.2- Power Derating

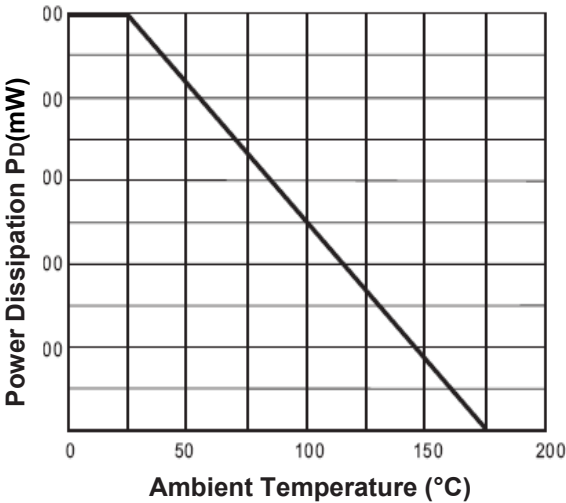


Fig.3- Typical Reverse Characteristics

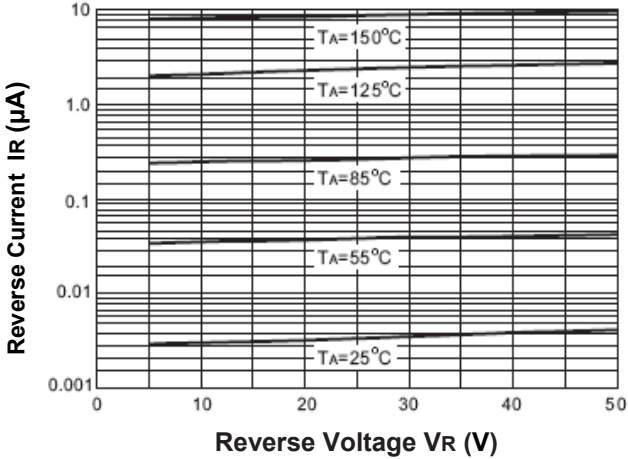
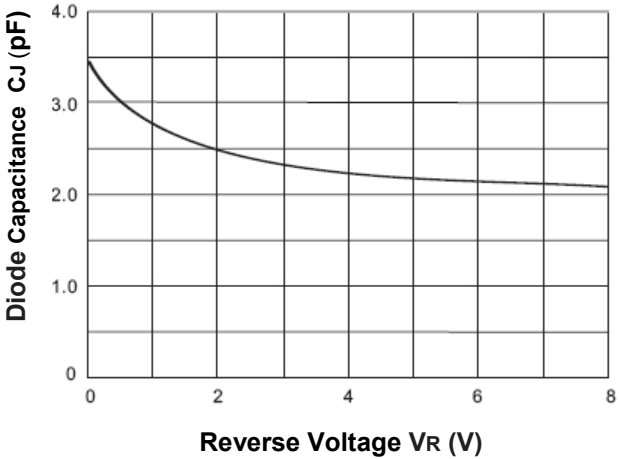
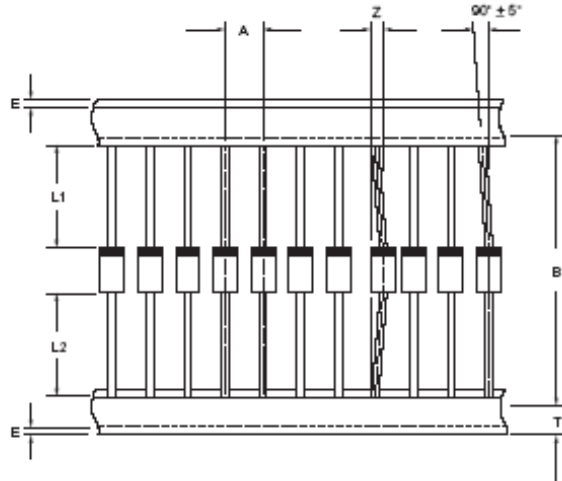


Fig.4- Typical Capacitance



Taping Information (in mm)



Components Outline	A	B	L1,L2	T	E	Z
DO-35	5±0.5	52±1	Max.1.0	6±0.4	Max.0.8	Max.1.2

How to contact us:

US HEADQUARTERS

28040 WEST HARRISON PARKWAY, VALENCIA, CA 91355-4162

Tel: (800) TAITRON (800) 247-2232 (661) 257-6060

Fax: (800) TAITFAX (800) 824-8329 (661) 257-6415

Email: taitron@taitroncomponents.com

Http://www.taitroncomponents.com

TAITRON COMPONENTS MEXICO, S.A .DE C.V.

BOULEVARD CENTRAL 5000 INTERIOR 5 PARQUE INDUSTRIAL ATITALAQUIA, HIDALGO C.P.

42970 MEXICO

Tel: +52-55-5560-1519

Fax: +52-55-5560-2190

TAITRON COMPONENTS INCORPORATED REPRESENTAÇÕES DO BRASIL LTDA

RUA DOMINGOS DE MORAIS, 2777, 2.ANDAR, SALA 24 SAÚDE - SÃO PAULO-SP 04035-001 BRAZIL

Tel: +55-11-5574-7949

Fax: +55-11-5572-0052

TAITRON COMPONENTS INCORPORATED, SHANGHAI REPRESENTATIVE OFFICE

METROBANK PLAZA, 1160 WEST YAN' AN ROAD, SUITE 1503, SHANGHAI, 200052, CHINA

Tel: +86-21-5424-9942

Fax: +86-21-5424-9931